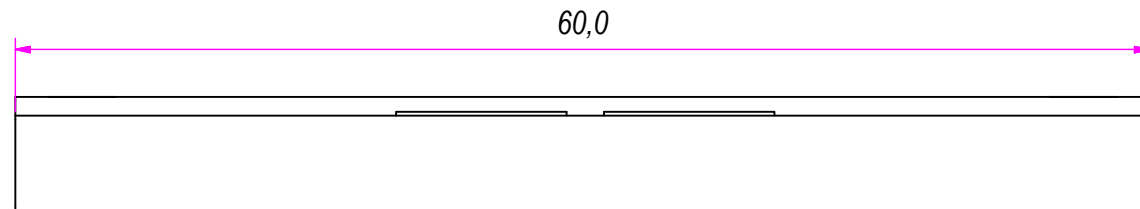
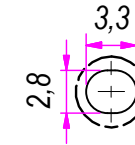
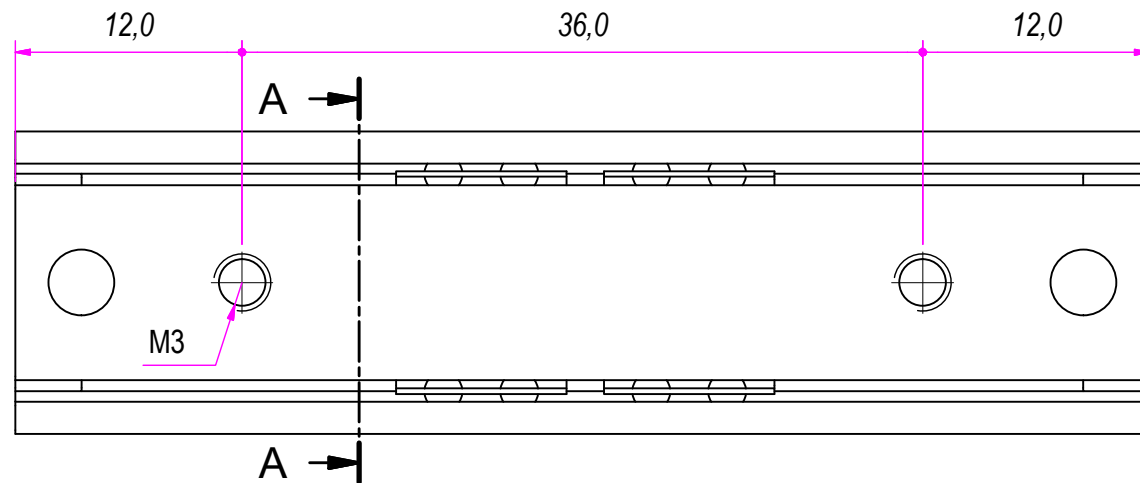
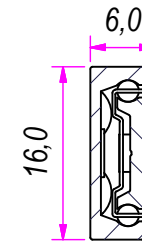



B (1 : 0.5)

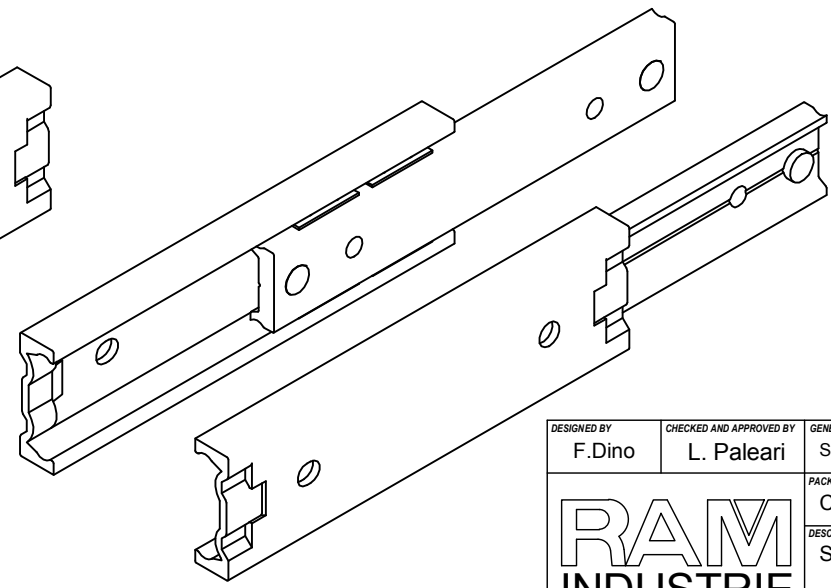
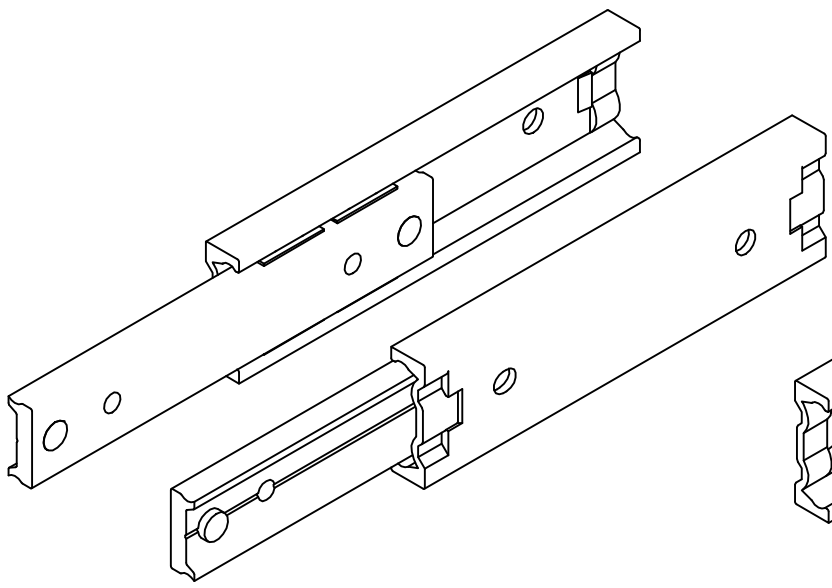
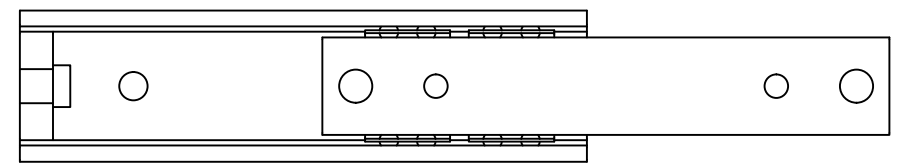
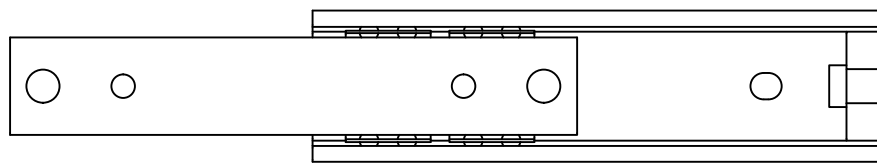
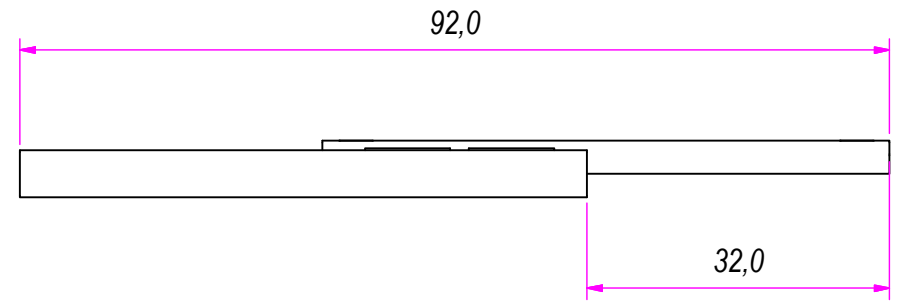
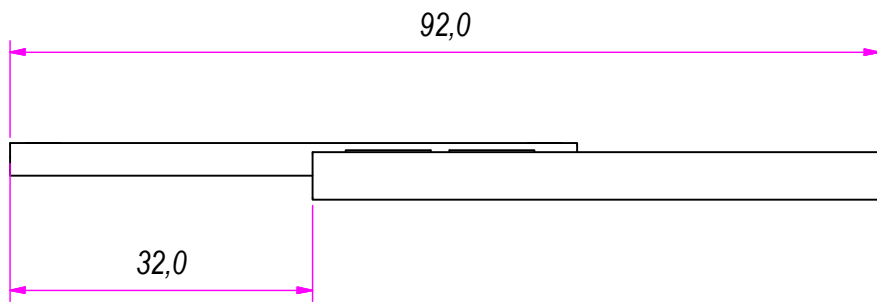
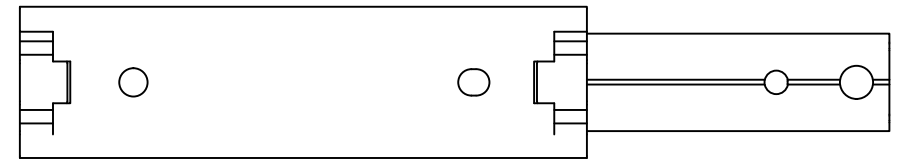
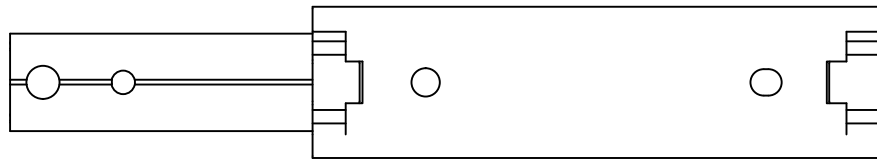


SEZ. A-A




DESIGNED BY F.Dino	CHECKED AND APPROVED BY L. Paleari	GENERAL TOLLERANCE SS-ISO-2768-1M	DATE 08/01/2018	CODE 16060
PACKAGING Carton 25 sets/Packed R+R			UNIT mm	SHEET 1 of 2
			DESCRIPTION Single extension	
			MATERIAL Aluminum	
Two-way travel			PAIR WEIGHT 0,02 Kg	14C
Property of RAM Industrie. Without its written authorization the present drawing shall neither be used for construction anyway, communicated to third parties, nor reproduced.				

		REVISION HISTORY		
		REV	DESCRIPTION	DATE
Guide per cassetti; guide telescopiche	Coulisses à billes; coulisse télescopique			
Drawer slide; telescopic ball bearing slide	Guías para cajones; guía teleópica	1a		08/01/2018
Kugelführung; Teleskopschienen				



Guide per cassetti; guide telescopiche	Coulisses à billes; coulisse télescopique
Drawer slide; telescopic ball bearing slide	Guías para cajones; guía teleópica
Kugelführung; Teleskopschienen	

REVISION HISTORY	
REV	DESCRIPTION
1a	

DESIGNED BY F. Dino	CHECKED AND APPROVED BY L. Paleari	GENERAL TOLERANCE SS-ISO-2768-1M	DATE 08/01/2018	CODE 16060
PACKAGING Carton 25 sets/Packed R+R			UNIT mm	SHEET 2 of 2
DESCRIPTION Single extension			MATERIAL Aluminum	
Two-way travel			PAIR WEIGHT 0,02 Kg	14C
				
<small>Property of RAM Industrie. Without its written authorization the present drawing shall neither be used for construction anyway, communicated to third parties, nor reproduced.</small>				

				DATE 08/01/2018
--	--	--	--	--------------------