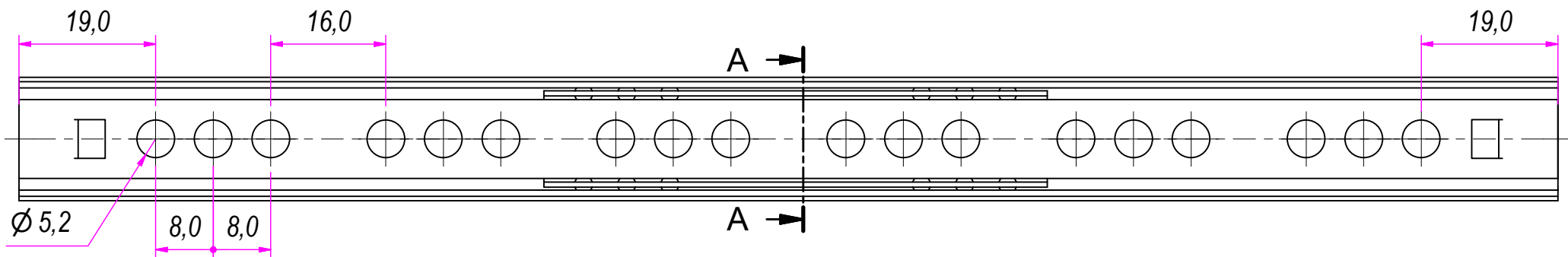
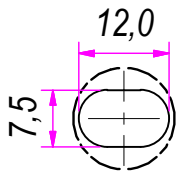


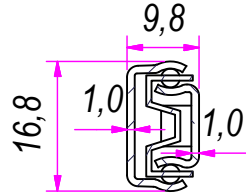
214,0




B (1:1)



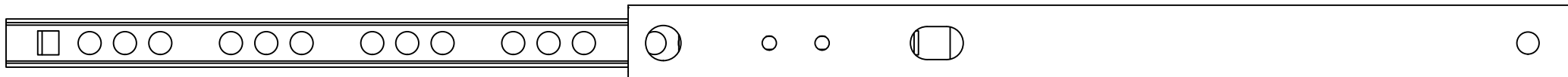
SEZ. A-A



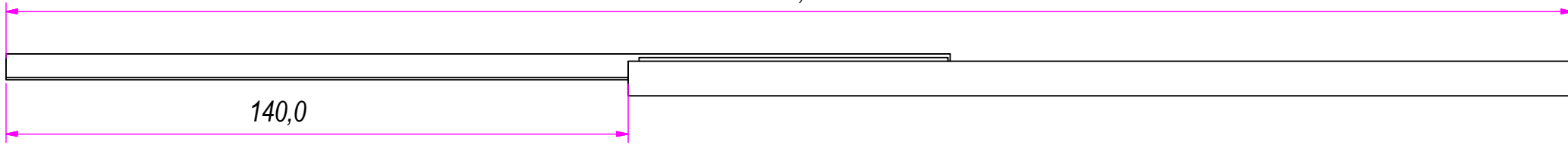
REVISION HISTORY			
REV	DESCRIPTION	APPROVED BY	DATA
1		F.Dino	27/10/2016

DESIGNED BY F.Dino	CHECKED AND APPROVED BY L. Paleari	REVISION	DATE 26/10/2016	CODE 17214
		GENERAL TOLLERANCE SS-ISO-2768-1M	UNIT mm	SCALE 1 of 2
		DESCRIPTION Two-way travel Single extension	MATERIAL Cold rolled steel	PAIR WEIGHT 0,152 Kg

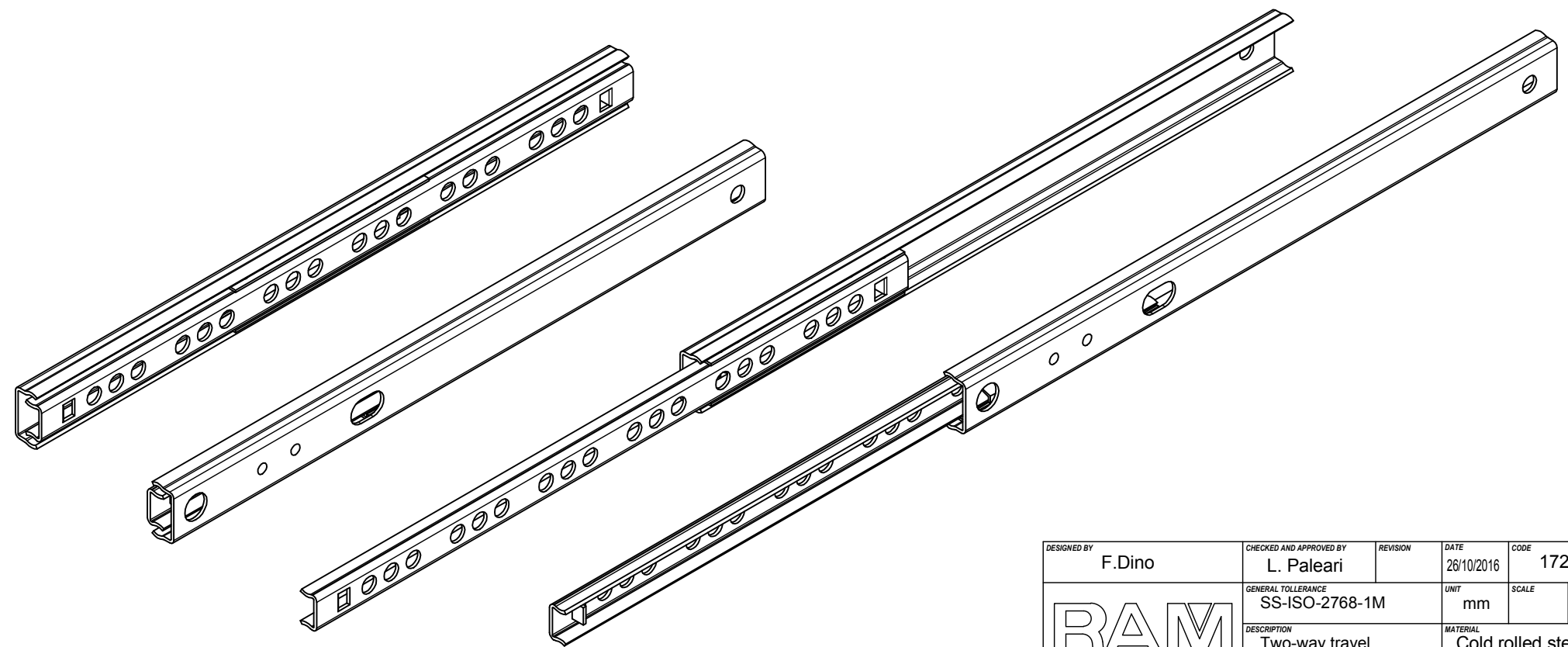
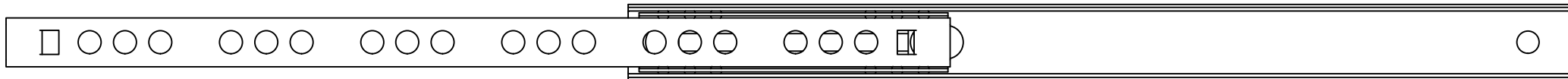
Property of RAM Industrie.
Without its written authorization the present drawing shall neither be used for construction anyway, communicated to third parties, nor reproduced.




354,0



140,0



REVISION HISTORY			
REV	DESCRIPTION	APPROVED BY	DATE
1		F.Dino	27/10/2016

DESIGNED BY F.Dino	CHECKED AND APPROVED BY L. Paleari	REVISION	DATE 26/10/2016	CODE 17214
		GENERAL TOLLERANCE SS-ISO-2768-1M	UNIT mm	SCALE 2 of 2
		DESCRIPTION Two-way travel Single extension	MATERIAL Cold rolled steel PAIR WEIGHT 0,152 Kg 08C	

Property of RAM Industrie.
Without its written authorization the present drawing shall neither be used for construction anyway, communicated to third parties, nor reproduced.