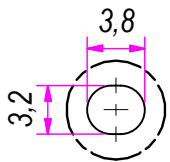
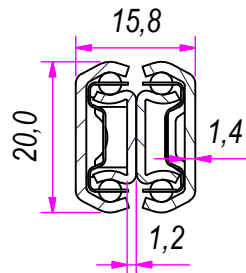


B ( 1 : 0.5 )



SEZ. A-A



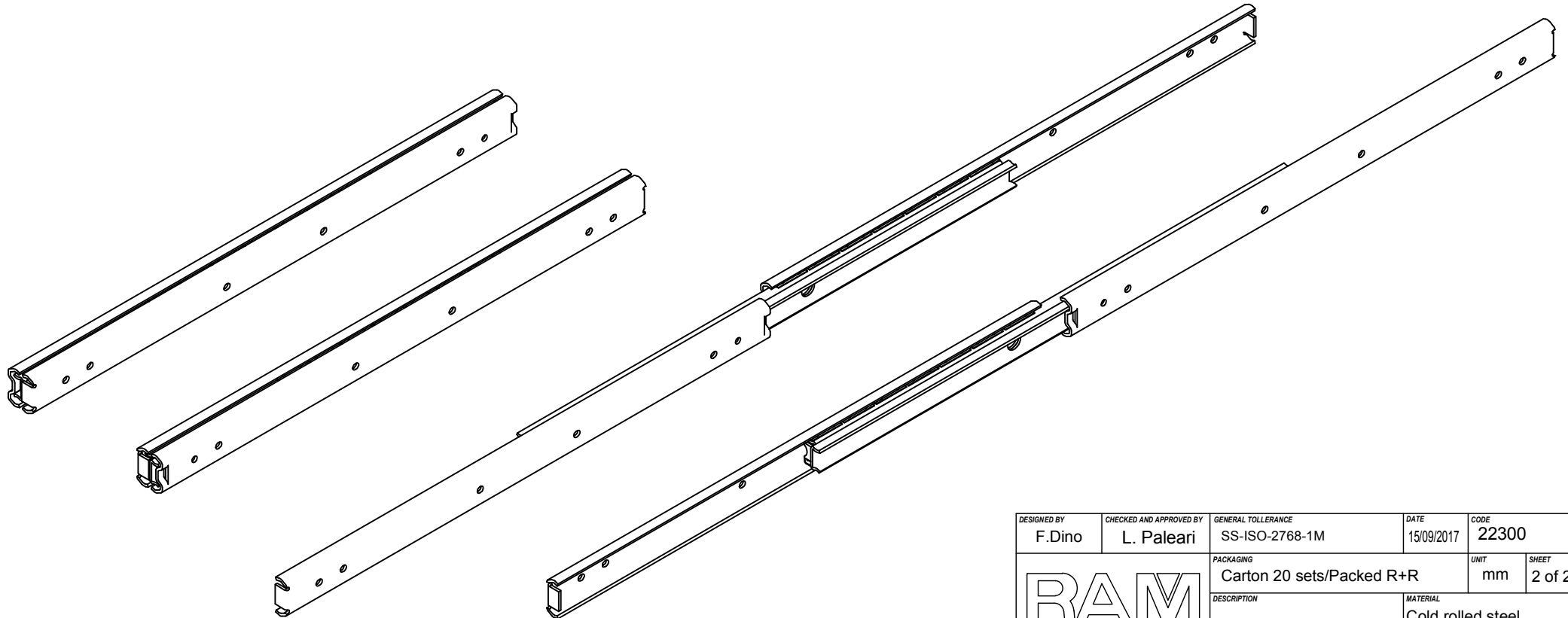
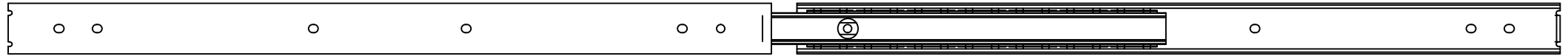
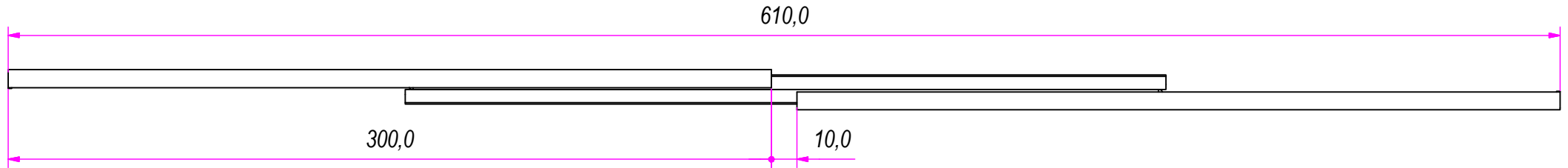
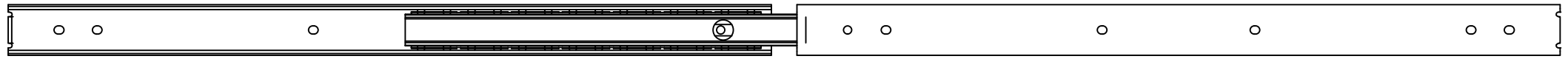
Guide per cassetti; guide telescopiche	Coulisses à billes; coulisse télescopique	REVISION HISTORY	
Drawer slide; telescopic ball bearing slide	Guías para cajones; guía teleópica	REV	DESCRIPTION
Kugelführung; Teleskopschienen		1a	15/09/2017

DESIGNED BY		CHECKED AND APPROVED BY		GENERAL TOLERANCE		DATE		CODE	
F.Dino		L. Paleari		SS-ISO-2768-1M		15/09/2017		22300	
PACKAGING				UNIT		SHEET			
Carton 20 sets/Packed R+R				mm		1 of 2			
DESCRIPTION						MATERIAL			
DEVICE						Cold rolled steel			
						PAIR WEIGHT		12C	
						0,622 Kg			

DESIGNED BY		CHECKED AND APPROVED BY		GENERAL TOLERANCE		DATE		CODE	
F.Dino		L. Paleari		SS-ISO-2768-1M		15/09/2017		22300	
PACKAGING				UNIT		SHEET			
Carton 20 sets/Packed R+R				mm		1 of 2			
DESCRIPTION						MATERIAL			
DEVICE						Cold rolled steel			
						PAIR WEIGHT		12C	
						0,622 Kg			

Property of RAM Industrie.  
Without its written authorization the present drawing shall neither be used for construction anyway, communicated to third parties, nor reproduced.

**RAM**  
**INDUSTRIE**



Guide per cassetti; guide telescopiche	Coulisses à billes; coulisse télescopique
Drawer slide; telescopic ball bearing slide	Guías para cajones; guía teleópica
Kugelführung; Teleskopschienen	

REVISION HISTORY	
REV	DESCRIPTION
1a	

DESIGNED BY F. Dino	CHECKED AND APPROVED BY L. Paleari	GENERAL TOLERANCE SS-ISO-2768-1M	DATE 15/09/2017	CODE 22300
PACKAGING Carton 20 sets/Packed R+R			UNIT mm	SHEET 2 of 2
DESCRIPTION <b>RAM</b> <b>INDUSTRIE</b>			MATERIAL Cold rolled steel	
DEVICE			PAIR WEIGHT 0,622 Kg	12C
Property of RAM Industrie. Without its written authorization the present drawing shall neither be used for construction anyway, communicated to third parties, nor reproduced.				

	DATE
	15/09/2017