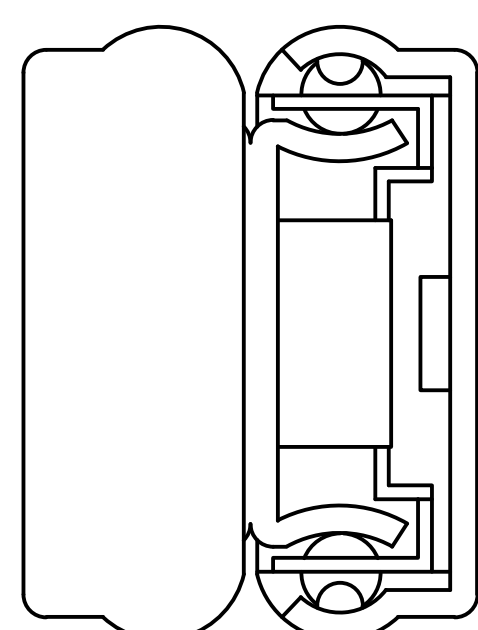
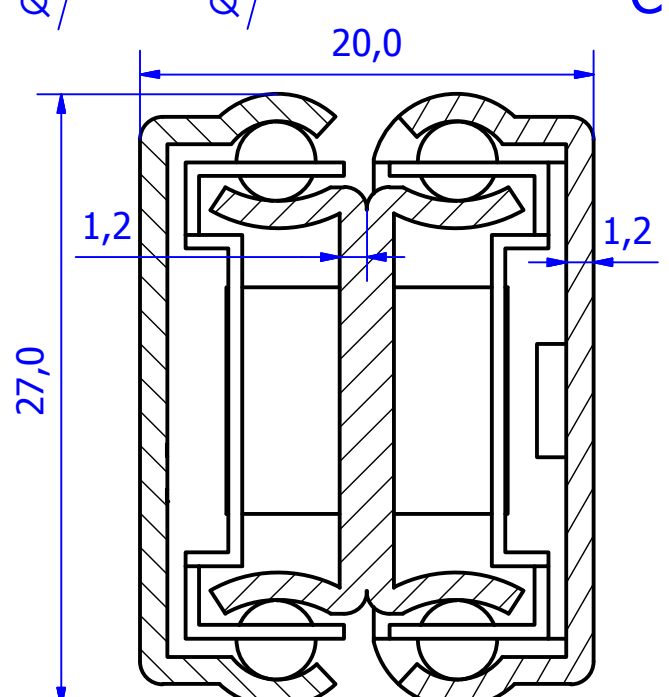


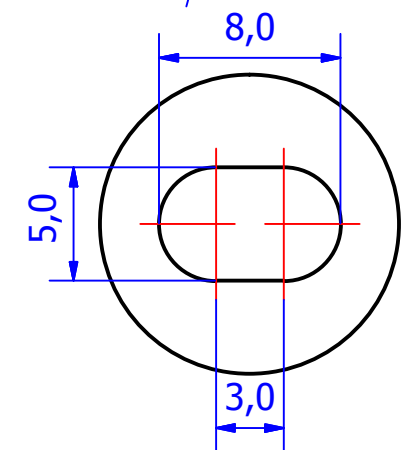
A (3 : 1)




B (3 : 1)

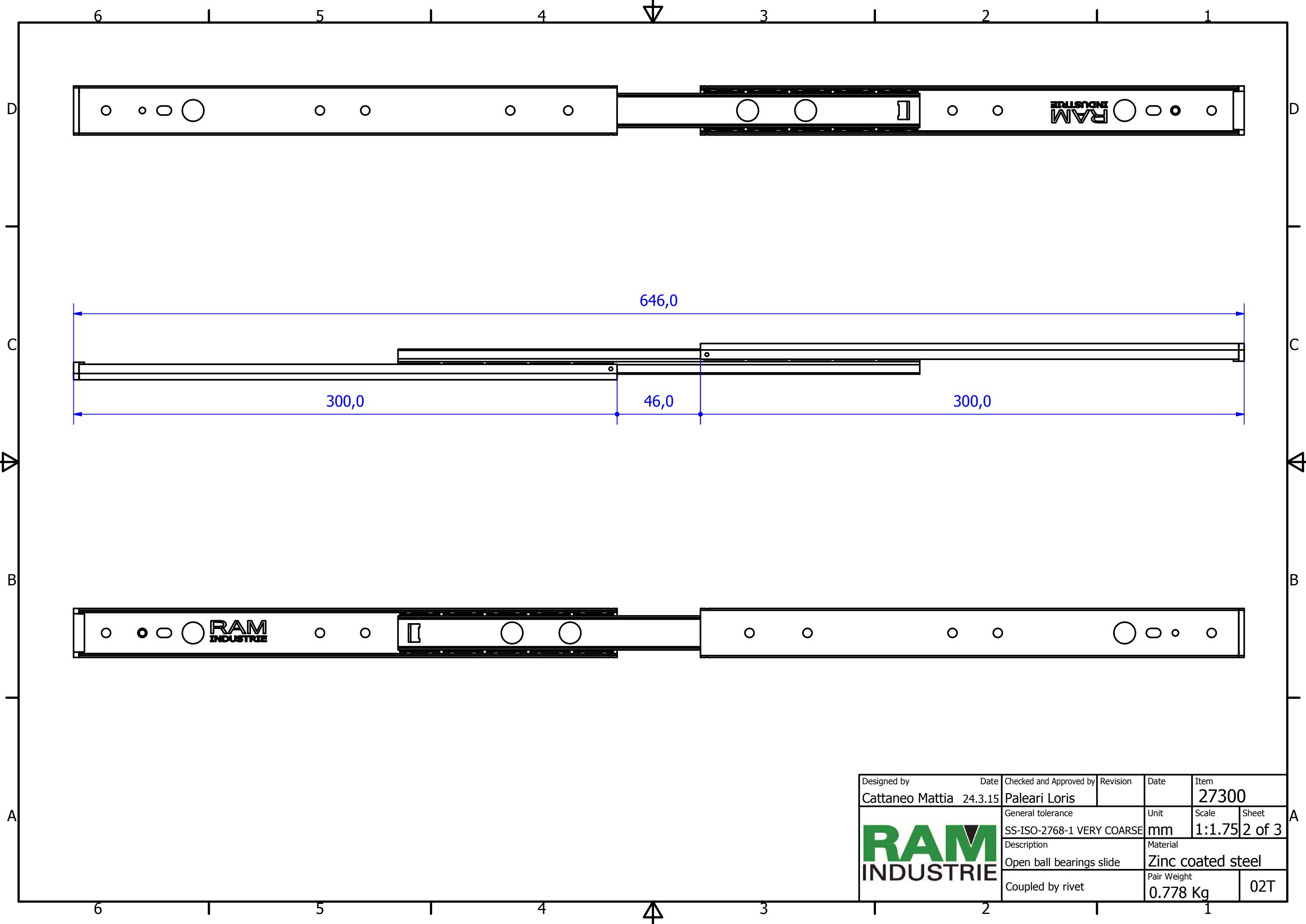



C-C (3 : 1)

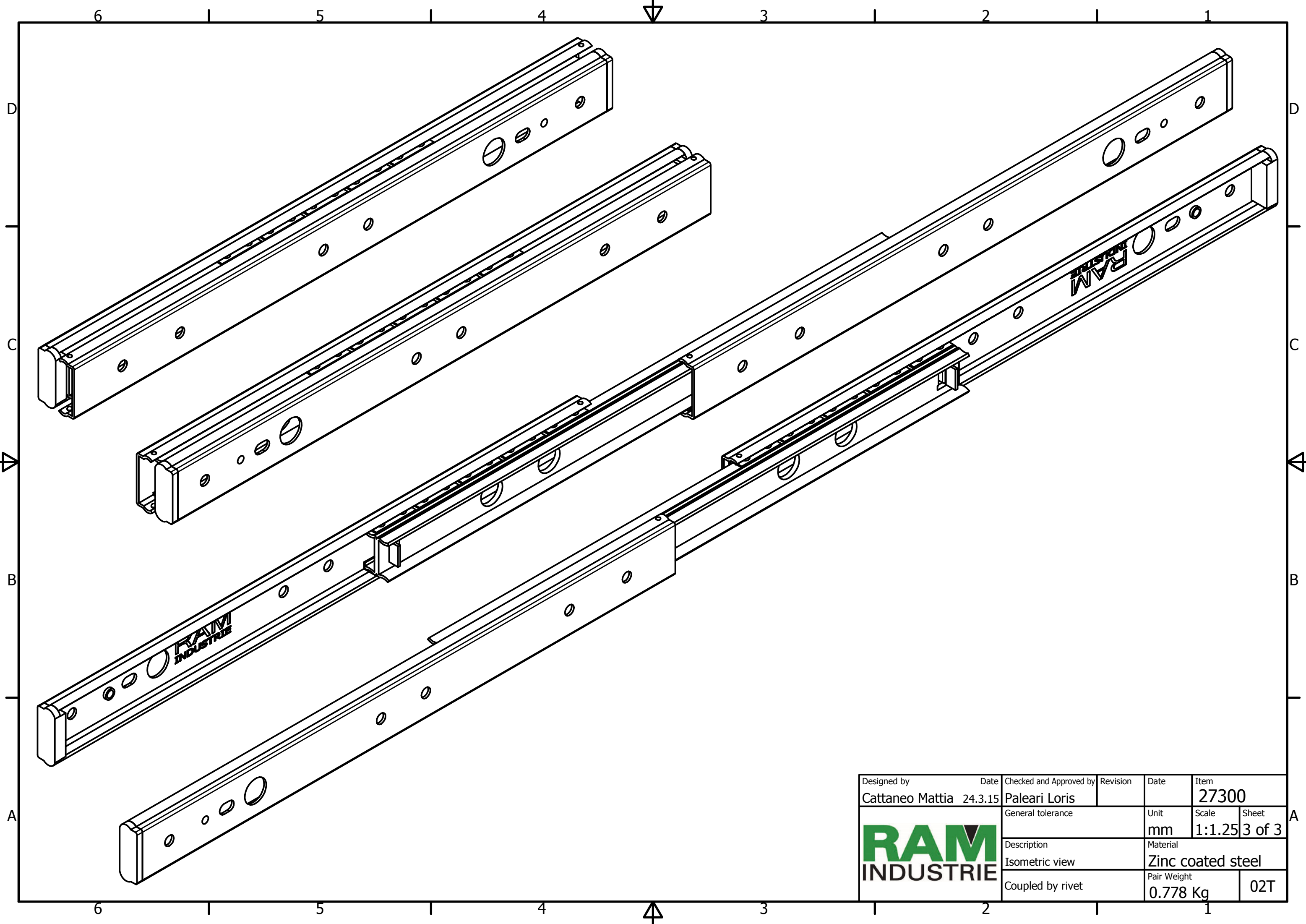



D (3 : 1)

Designed by Cattaneo Mattia	Date 24.3.15	Checked and Approved by Paleari Loris	Revision	Date	Item 27300
		General tolerance SS-ISO-2768-1 MEDIUM		Unit mm	Scale 1:1
		Description Closed ball bearings slide		Material Zinc coated steel	
Coupled by rivet		Pair Weight 0.778 Kg		Sheet 1 of 3 02T	



Designed by	Date	Checked and Approved by	Revision	Date	Item
Cattaneo Mattia	24.3.15	Paleari Loris			27300
	General tolerance		Unit	Scale	Sheet
	SS-ISO-2768-1 VERY COARSE		mm	1:1.75	2 of 3
	Description		Material		
Open ball bearings slide		Zinc coated steel			
Coupled by rivet		Pair Weight	02T		
		0.778 Kg			



Designed by Cattaneo Mattia	Date 24.3.15	Checked and Approved by Paleari Loris	Revision	Date	Item 27300
		General tolerance		Unit mm	Scale 1:1.25
		Description Isometric view		Material Zinc coated steel	
Coupled by rivet				Pair Weight 0.778 Kg	02T

A