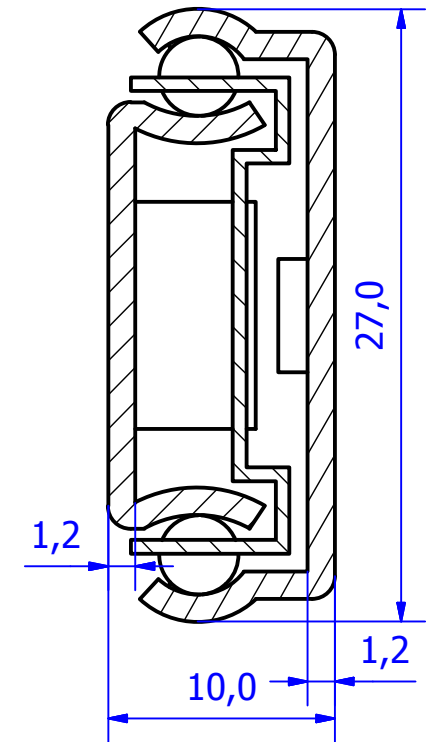
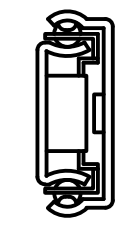


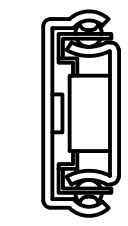
D ( 2 : 1 )




C-C ( 3 : 1 )

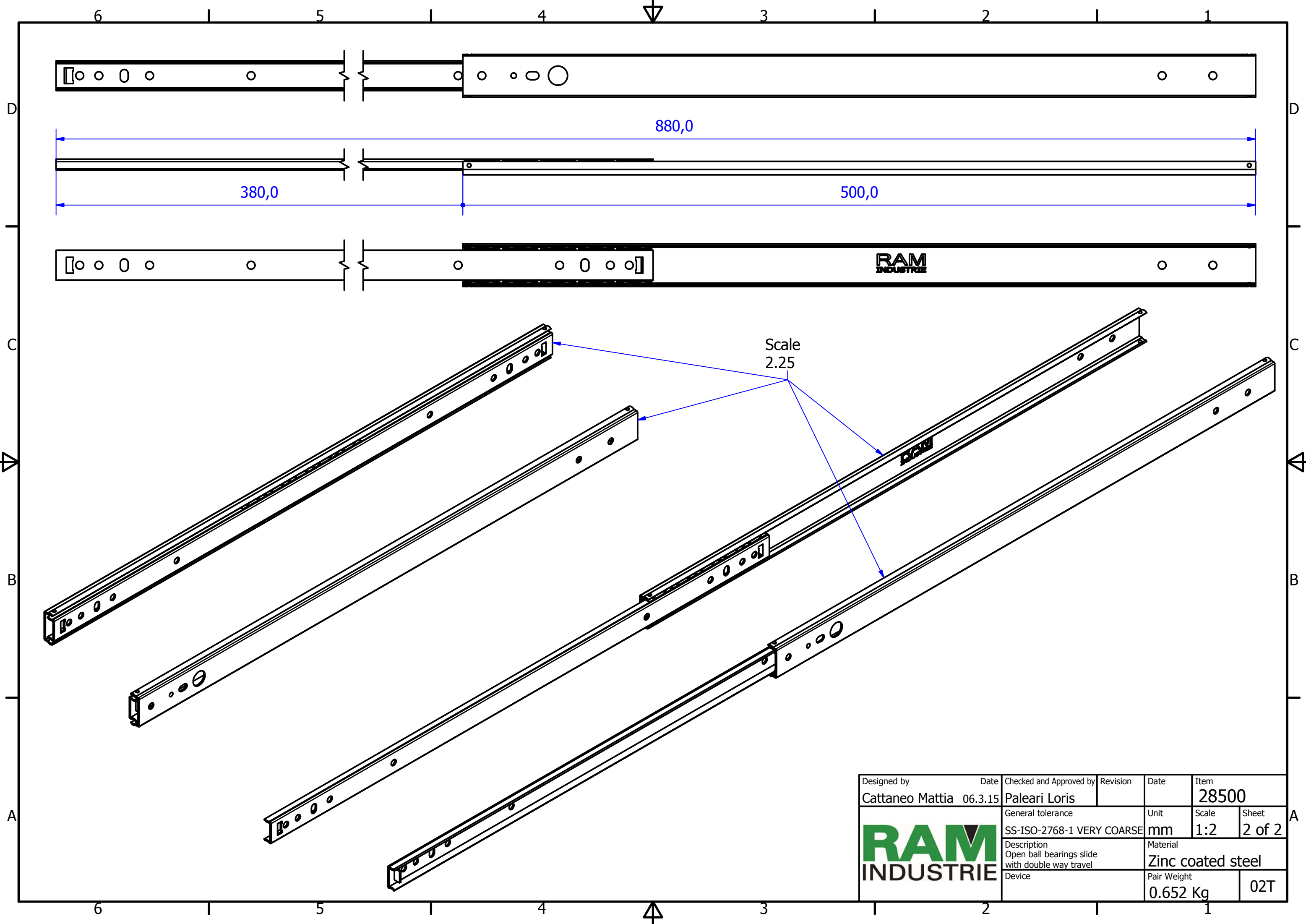



B ( 1 : 1 )



A ( 1 : 1 )

Designed by Cattaneo Mattia	Date 06.3.15	Checked and Approved by Paleari Loris	Revision	Date	Item 28500
		General tolerance SS-ISO-2768-1 MEDIUM		Unit mm	Scale 1:1.5
		Description Closed ball bearings slide with double way travel		Material Zinc coated steel	
Device				Pair Weight 0.652 Kg	02T



Designed by Cattaneo Mattia	Date 06.3.15	Checked and Approved by Paleari Loris	Revision	Date	Item 28500
		General tolerance SS-ISO-2768-1 VERY COARSE	Unit mm	Scale 1:2	Sheet 2 of 2
		Description Open ball bearings slide with double way travel	Material Zinc coated steel		
Device			Pair Weight 0.652 Kg	02T	