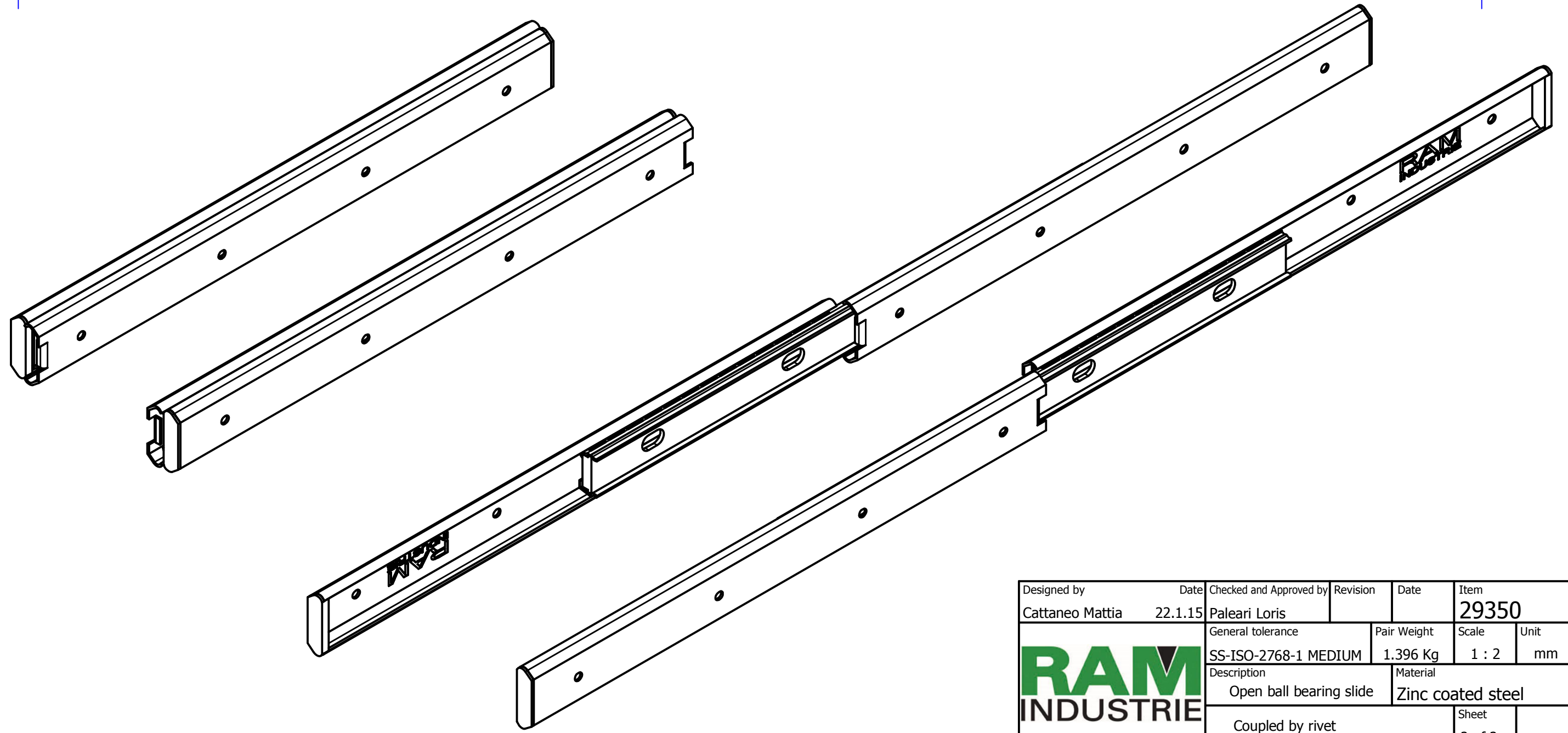
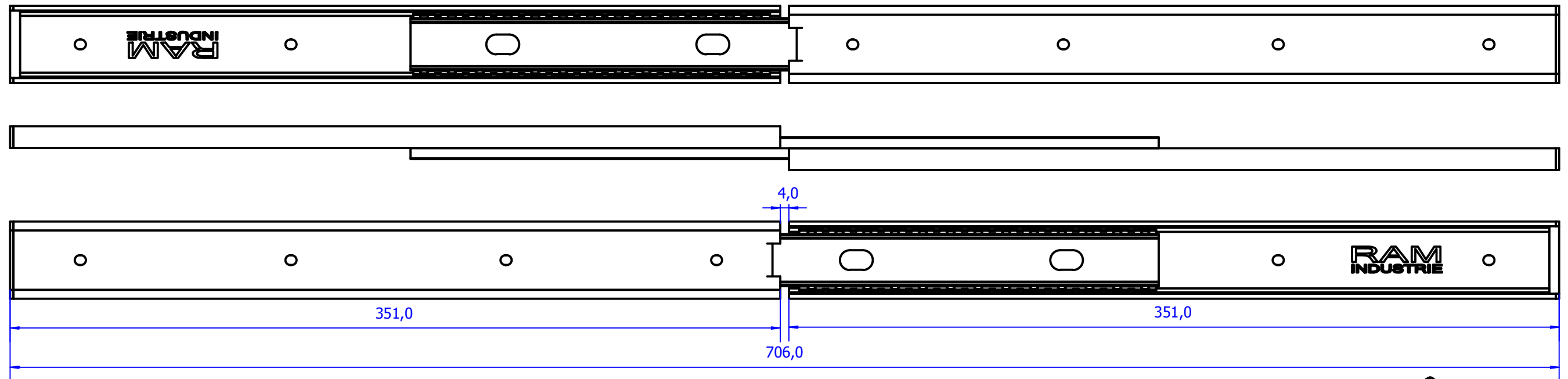


Designed by	Date	Checked and Approved by	Revision	Date	Item
Cattaneo Mattia	22.1.15	Paleari Loris			29350
General tolerance			Pair Weight	Scale	Unit
SS-ISO-2768-1 MEDIUM			1.396 Kg	1 : 1	mm
Description			Material		
Closed ball bearing slide			Zinc coated steel		
Coupled by rivet				Sheet	
				1 of 2	





Designed by	Date	Checked and Approved by	Revision	Date	Item
Cattaneo Mattia	22.1.15	Paleari Loris			29350
General tolerance			Pair Weight	Scale	Unit
SS-ISO-2768-1 MEDIUM			1.396 Kg	1 : 2	mm
Description			Material		
Open ball bearing slide			Zinc coated steel		
Coupled by rivet				Sheet	
				2 of 2	

