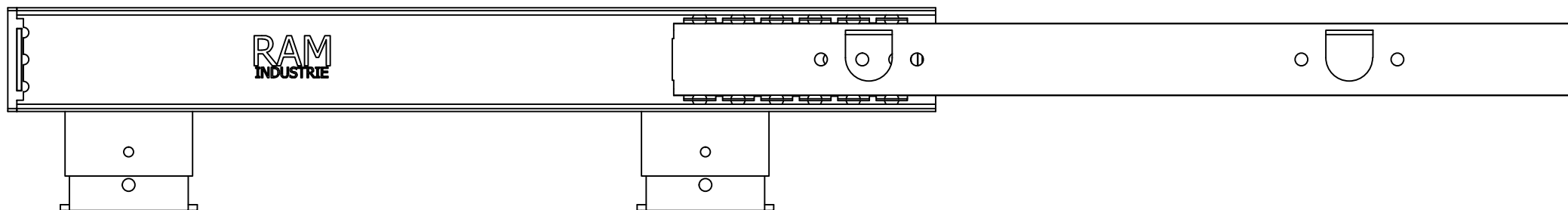
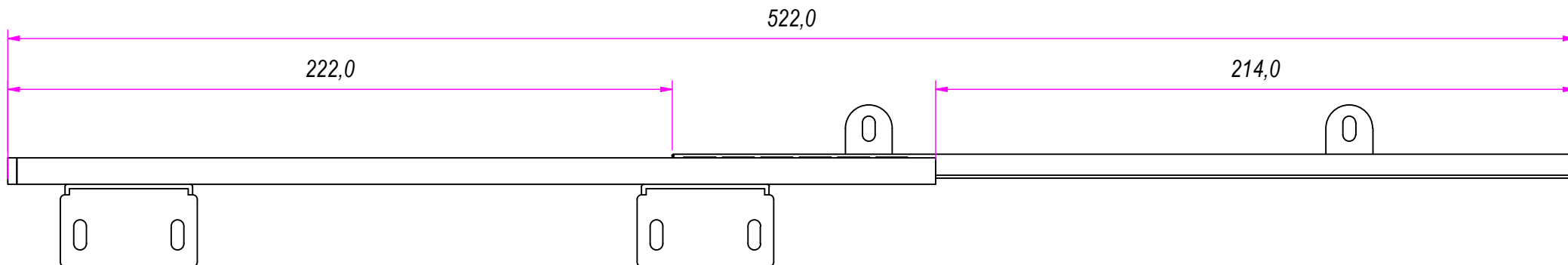
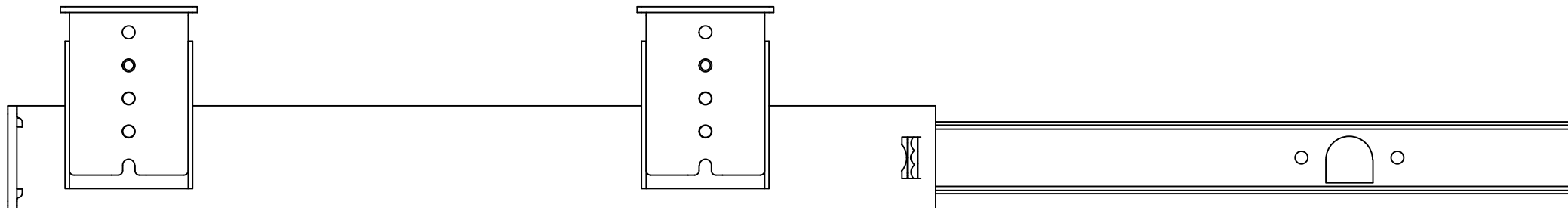


REVISION HISTORY			
REV	DESCRIPTION	APPROVED BY	DATE
1		F.Dino	23/11/2016

DESIGNED BY F.Dino	CHECKED AND APPROVED BY L. Paleari	DATE 23/11/2016	CODE 33300
GENERAL TOLLERANCE SS-ISO-2768-1M		UNIT mm	SCALE 1 of 3
DESCRIPTION For keyboard extractable surfaces		MATERIAL Cold rolled steel	
DEVICE		PAIR WEIGHT 0,869 Kg	02C
Property of RAM Industrie. Without its written authorization the present drawing shall neither be used for construction anyway, communicated to third parties, nor reproduced.			

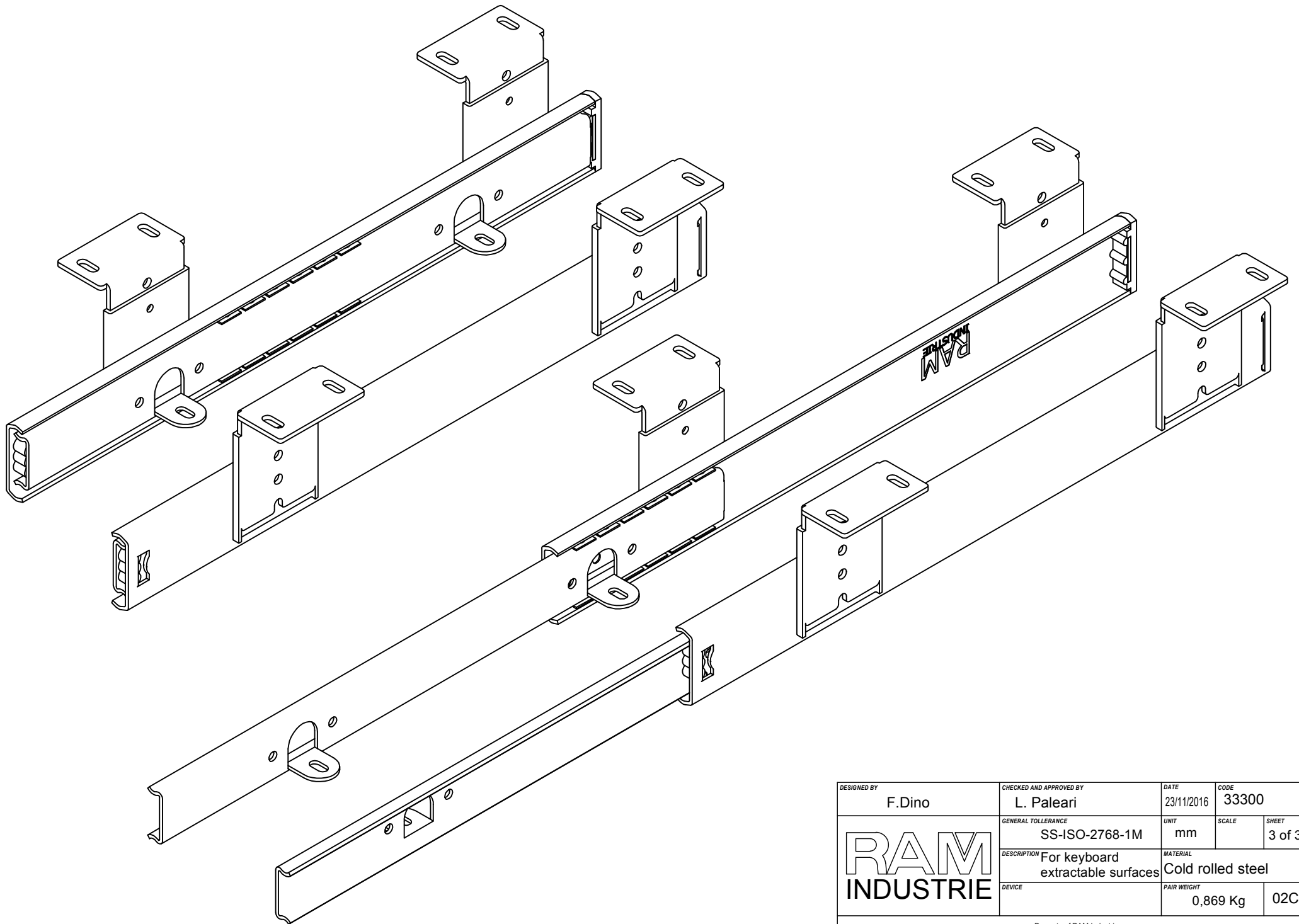
**RAM**  
**INDUSTRIE**




REVISION HISTORY			
REV	DESCRIPTION	APPROVED BY	DATE
1		F.Dino	23/11/2016

DESIGNED BY <b>F.Dino</b>	CHECKED AND APPROVED BY <b>L. Paleari</b>	DATE 23/11/2016	CODE <b>33300</b>
<b>RAM INDUSTRIE</b>	GENERAL TOLLERANCE SS-ISO-2768-1M	UNIT mm	SCALE SHEET 2 of 3
	DESCRIPTION For keyboard extractable surfaces	MATERIAL Cold rolled steel	
	DEVICE	PAIR WEIGHT 0,869 Kg	02C

Property of RAM Industrie.  
Without its written authorization the present drawing shall neither be used for construction anyway, communicated to third parties, nor reproduced.



DESIGNED BY F.Dino	CHECKED AND APPROVED BY L. Paleari	DATE 23/11/2016	CODE 33300
	GENERAL TOLLERANCE SS-ISO-2768-1M	UNIT mm	SCALE 3 of 3
	DESCRIPTION For keyboard extractable surfaces	MATERIAL Cold rolled steel	
DEVICE	PAIR WEIGHT 0,869 Kg	02C	

Property of RAM Industrie.  
Without its written authorization the present drawing shall neither be used for construction anyway, communicated to third parties, nor reproduced.