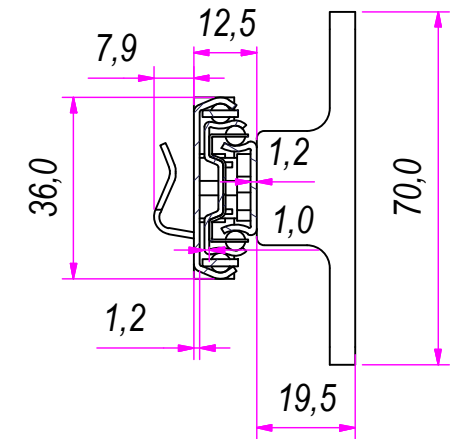
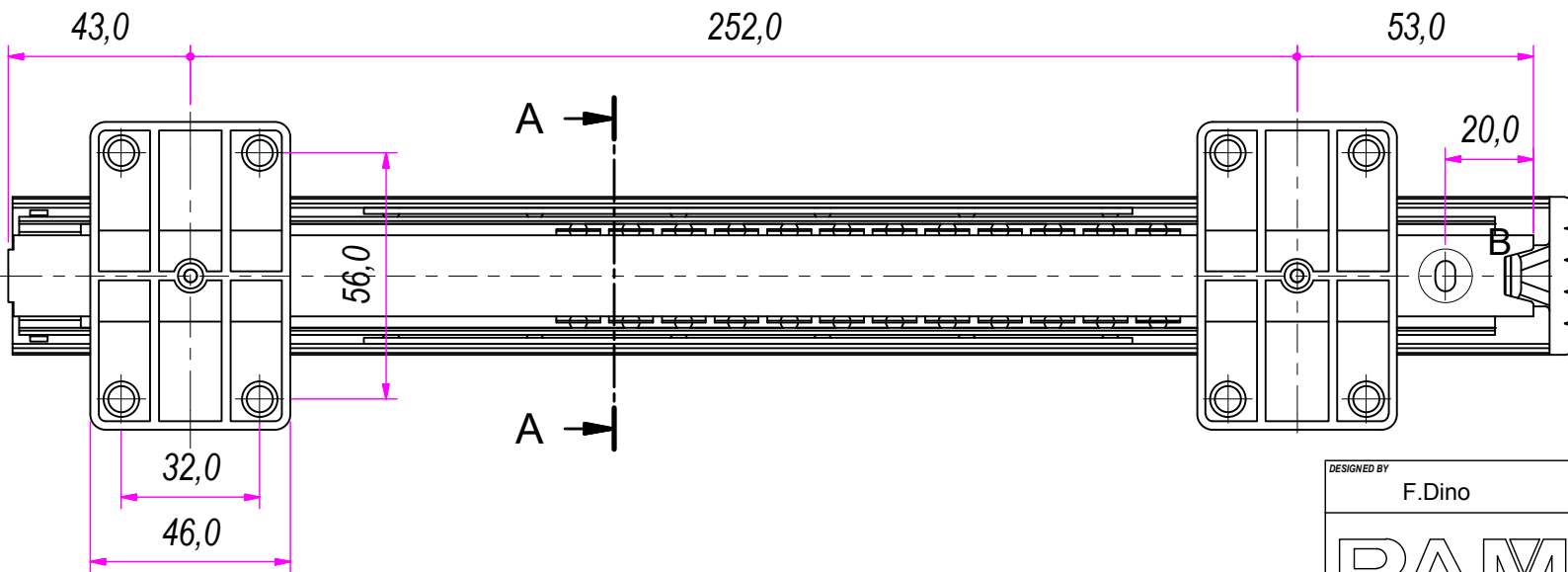


SEZ. A-A

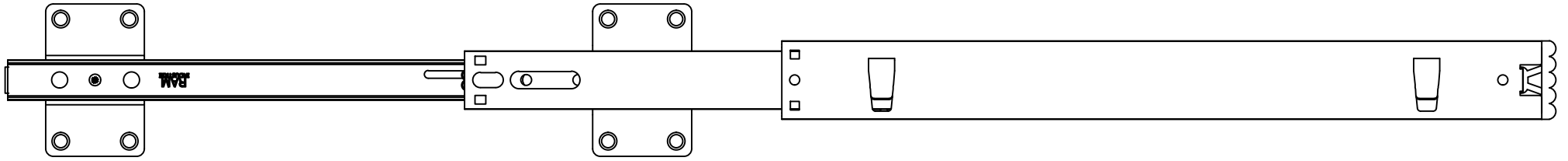


REVISION HISTORY			
REV	DESCRIPTION	APPROVED BY	DATE
1		F.Dino	25/11/2016

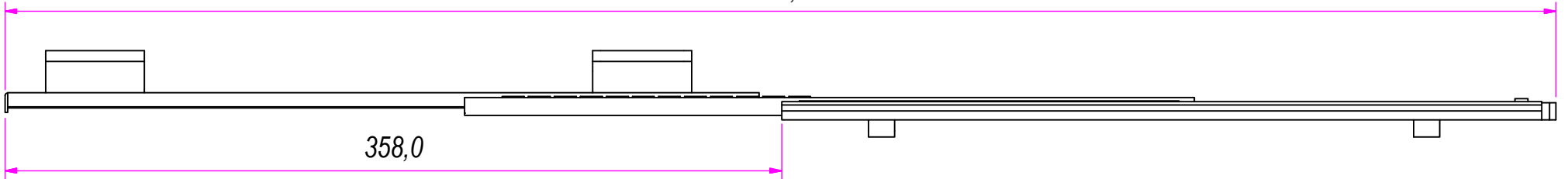
DESIGNED BY F.Dino	CHECKED AND APPROVED BY L. Paleari	DATE 25/11/2016	CODE 34350
GENERAL TOLLERANCE SS-ISO-2768-1M		UNIT mm	SCALE 1 of 3
DESCRIPTION		MATERIAL Cold rolled steel	
DEVICE		PAIR WEIGHT 0,826 Kg	02C

RAM
INDUSTRIE

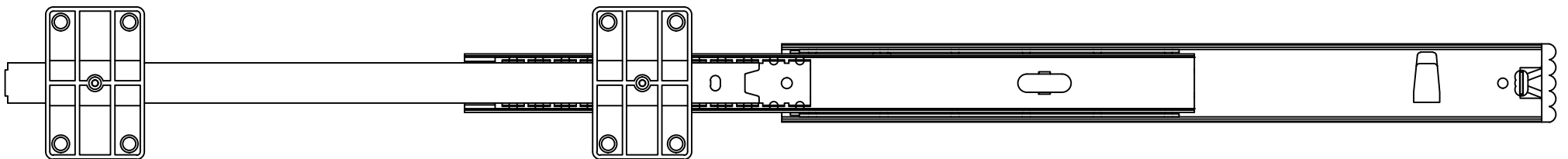
Property of RAM Industrie.
Without its written authorization the present drawing shall neither be used for construction anyway, communicated to third parties, nor reproduced.




715,0



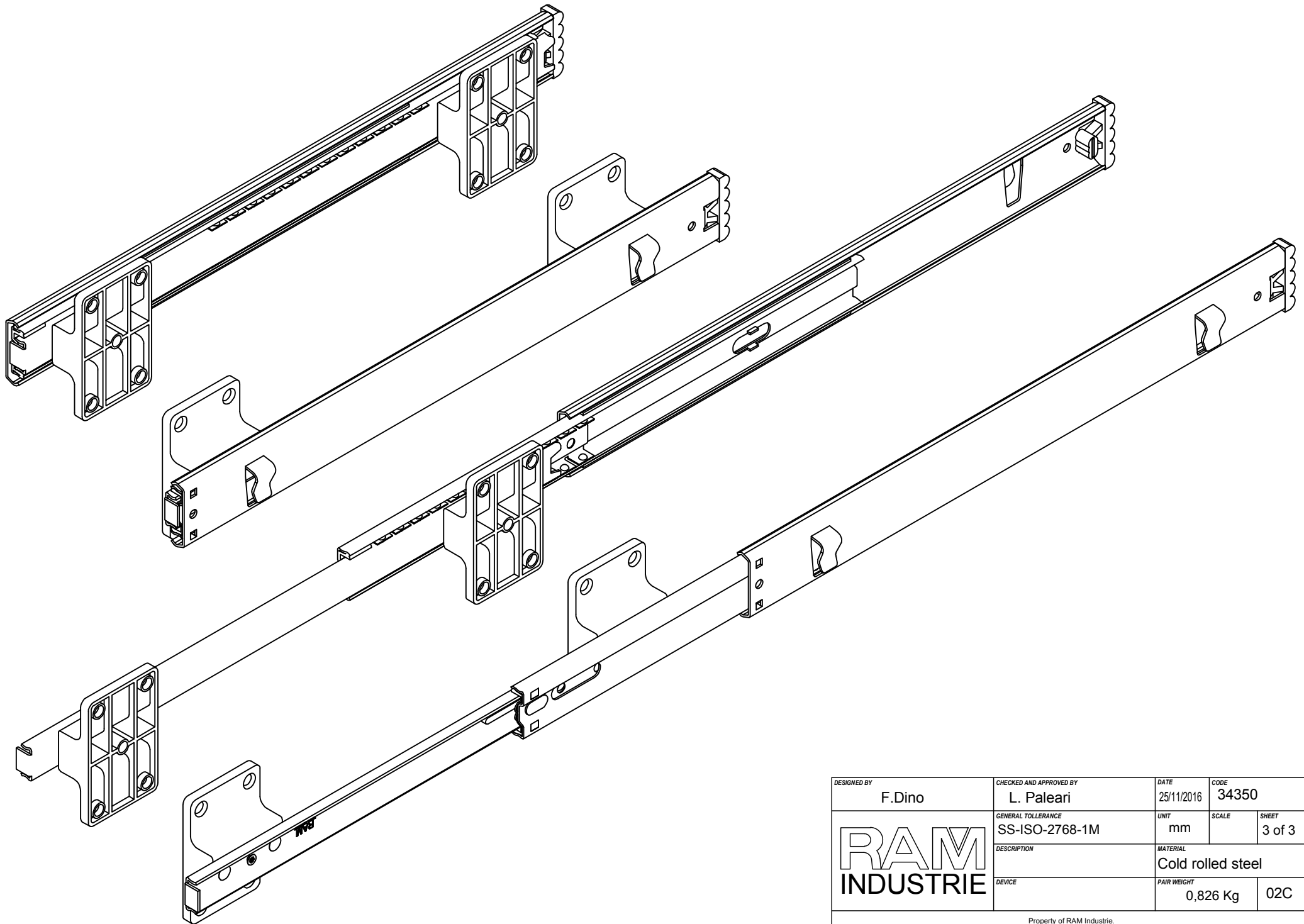
358,0




REVISION HISTORY			
REV	DESCRIPTION	APPROVED BY	DATE
1		F.Dino	25/11/2016

DESIGNED BY F.Dino	CHECKED AND APPROVED BY L. Paleari	DATE 25/11/2016	CODE 34350
	GENERAL TOLLERANCE SS-ISO-2768-1M	UNIT mm	SCALE SHEET 2 of 3
	DESCRIPTION	MATERIAL Cold rolled steel	
DEVICE	PAIR WEIGHT 0,826 Kg		02C

Property of RAM Industrie.
Without its written authorization the present drawing shall neither be used for construction anyway, communicated to third parties, nor reproduced.



DESIGNED BY F.Dino	CHECKED AND APPROVED BY L. Paleari	DATE 25/11/2016	CODE 34350
	GENERAL TOLLERANCE SS-ISO-2768-1M	UNIT mm	SCALE 3 of 3
	DESCRIPTION	MATERIAL Cold rolled steel	
DEVICE	PAIR WEIGHT 0,826 Kg	02C	

Property of RAM Industrie.
Without its written authorization the present drawing shall neither be used for construction anyway, communicated to third parties, nor reproduced.