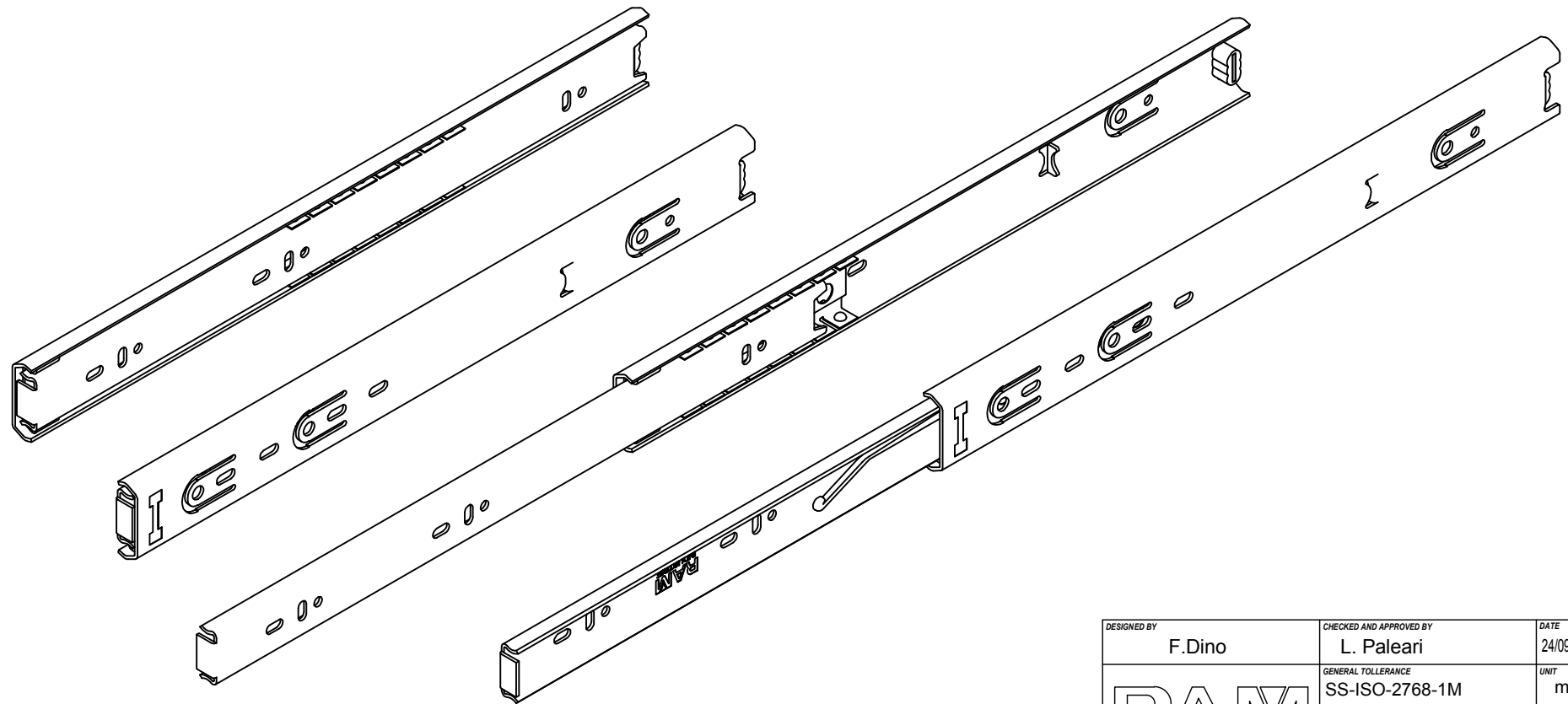
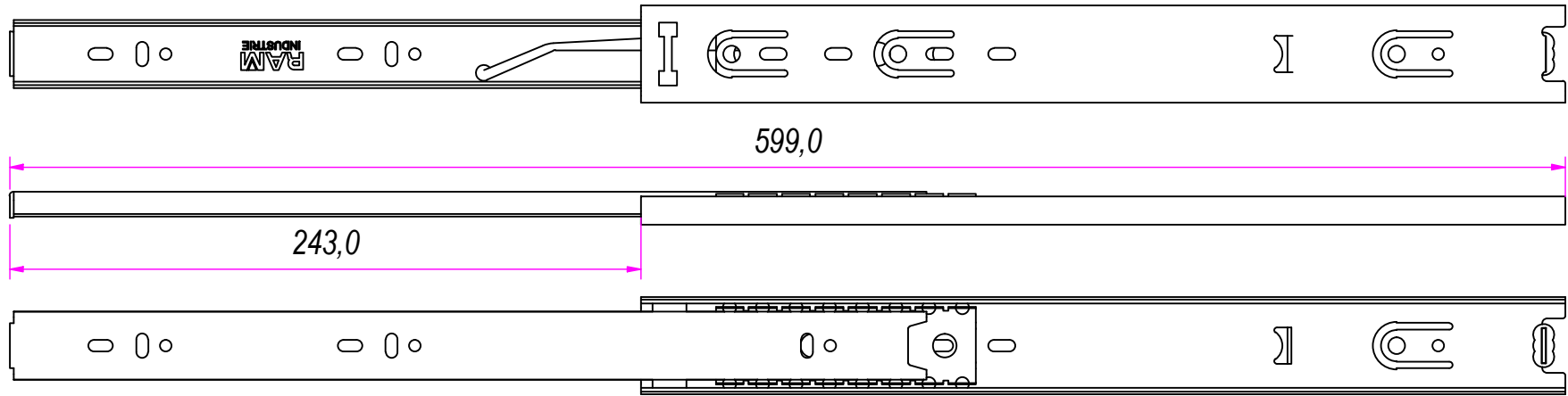



REVISION HISTORY			
REV	DESCRIPTION	APPROVED BY	DATE
1		F.Dino	24/09/2018

DESIGNED BY F.Dino	CHECKED AND APPROVED BY L. Paleari	DATE 24/09/2018	CODE 35300	
		GENERAL TOLLERANCE SS-ISO-2768-1M	UNIT mm	SCALE 1 of 2
		DESCRIPTION	MATERIAL Cold rolled steel	
DEVICE		PAIR WEIGHT 0,788 Kg	03T	
Property of RAM Industrie. Without its written authorization the present drawing shall neither be used for construction anyway, communicated to third parties, nor reproduced.				



REVISION HISTORY			
REV	DESCRIPTION	APPROVED BY	DATE
1		F.Dino	24/09/2018

DESIGNED BY F.Dino	CHECKED AND APPROVED BY L. Paleari	DATE 24/09/2018	CODE 35300	
		GENERAL TOLLERANCE SS-ISO-2768-1M	UNIT mm	SCALE SHEET 2 of 2
		DESCRIPTION	MATERIAL Cold rolled steel	
DEVICE		PAIR WEIGHT 0,788 Kg	03T	

Property of RAM Industrie.  
Without its written authorization the present drawing shall neither be used for construction anyway, communicated to third parties, nor reproduced.