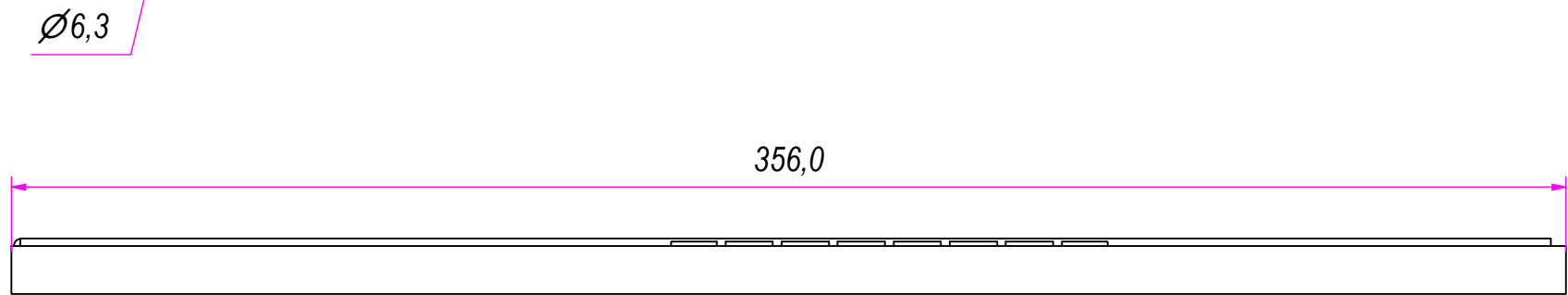
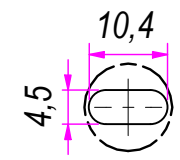
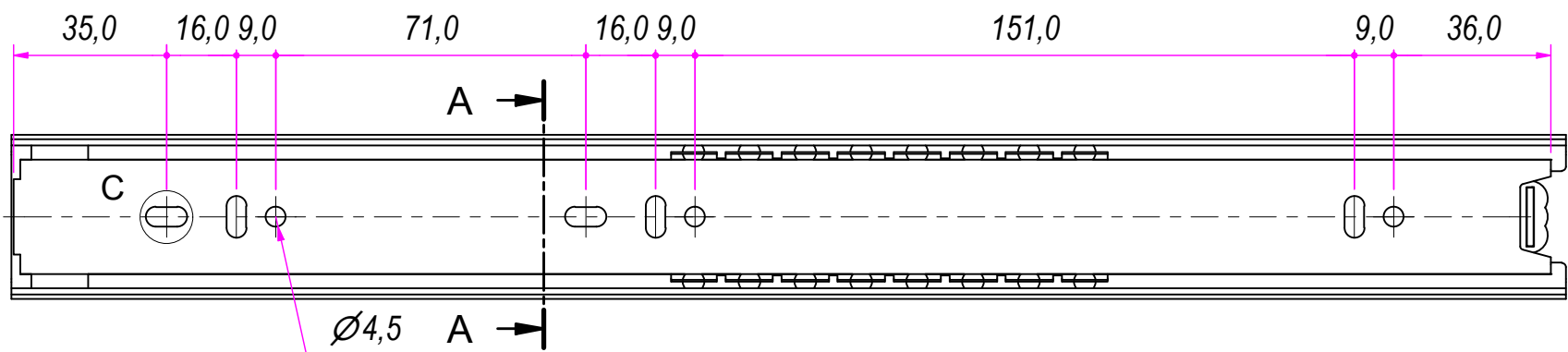
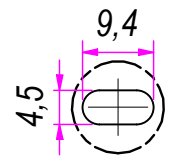


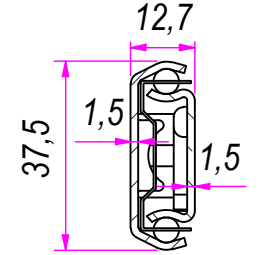
B (1:1)



C (1:1)



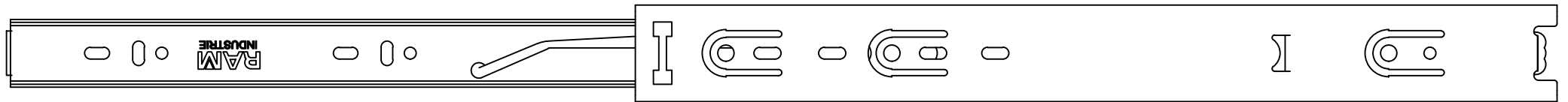
SEZ. A-A



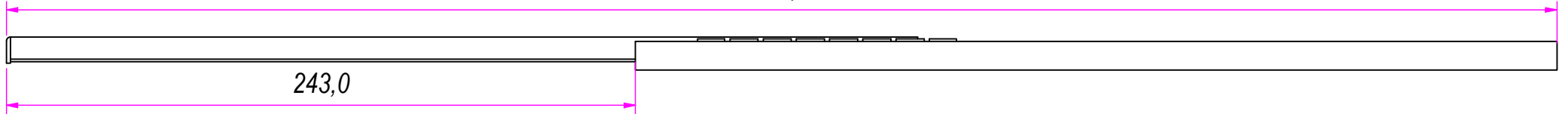
| REVISION HISTORY | | | |
|------------------|-------------|-------------|------------|
| REV | DESCRIPTION | APPROVED BY | DATE |
| 1 | | F.Dino | 08/11/2018 |

| | | | |
|------------------------------|--|--------------------------------------|-------------------------------|
| DESIGNED BY F.Dino | CHECKED AND APPROVED BY L. Paleari | DATE 08/11/2018 | CODE 35350 |
| | | GENERAL TOLLERANCE SS-ISO-2768-1M | UNIT mm |
| | | DESCRIPTION Single extension | MATERIAL Cold rolled steel |
| | | DEVICE | PAIR WEIGHT 0,788 Kg |
| | | SCALE 1 of 2 | SHEET 03T |

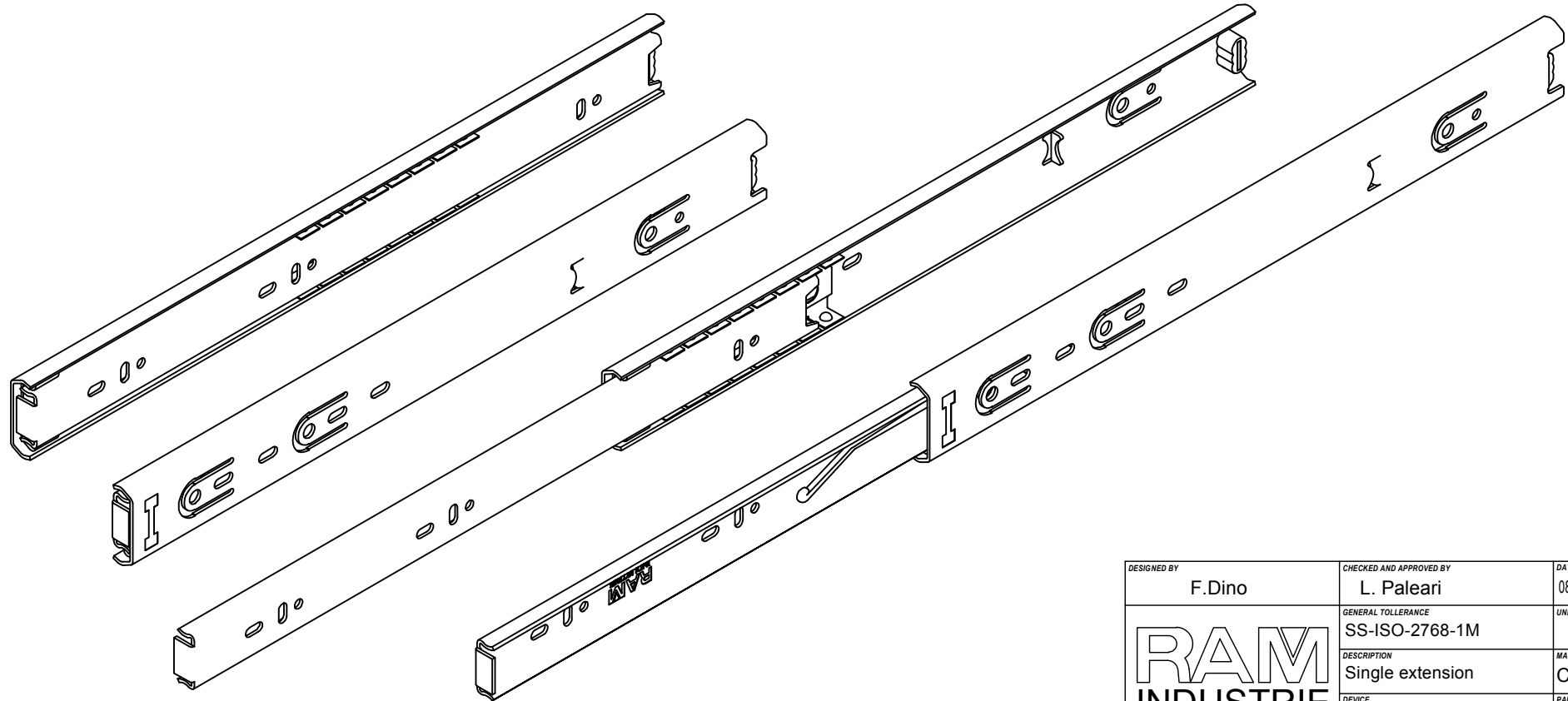
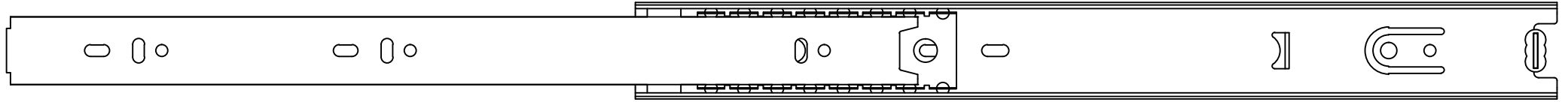
Property of RAM Industrie.
Without its written authorization the present drawing shall neither be used for construction anyway, communicated to third parties, nor reproduced.




599,0



243,0



| REVISION HISTORY | | | |
|------------------|-------------|-------------|------------|
| REV | DESCRIPTION | APPROVED BY | DATE |
| 1 | | F.Dino | 08/11/2018 |

| | | | | |
|---|---------------------------------------|--------------------------------------|-------------------------------|-----------------|
| DESIGNED BY F.Dino | CHECKED AND APPROVED BY L. Paleari | DATE 08/11/2018 | CODE 35350 | |
|  | | GENERAL TOLLERANCE SS-ISO-2768-1M | UNIT mm | SCALE 2 of 2 |
| | | DESCRIPTION Single extension | MATERIAL Cold rolled steel | |
| DEVICE | | PAIR WEIGHT 0,788 Kg | 03T | |

Property of RAM Industrie.
Without its written authorization the present drawing shall neither be used for construction anyway, communicated to third parties, nor reproduced.