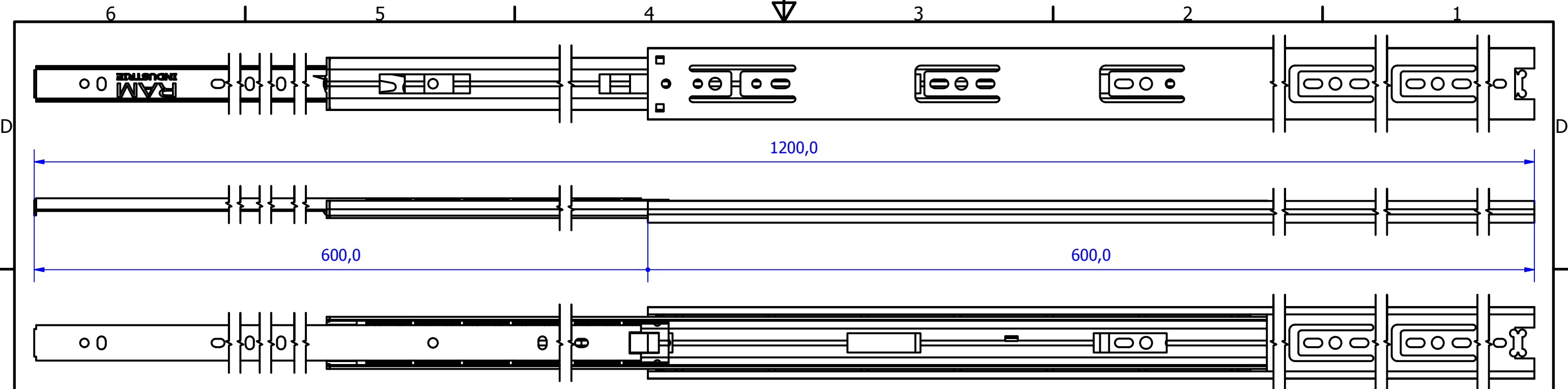
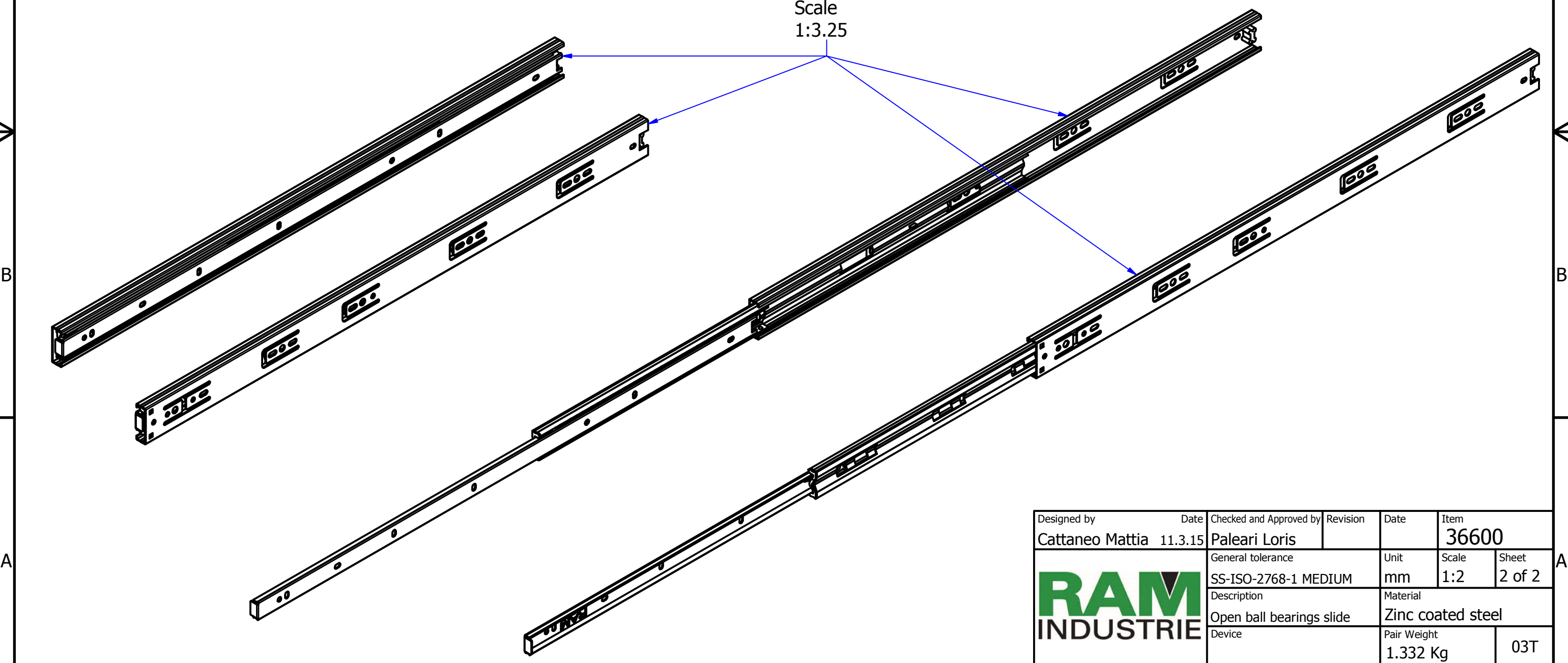



Designed by Cattaneo Mattia	Date 11.3.15	Checked and Approved by Paleari Loris	Revision	Date	Item 36600
		General tolerance SS-ISO-2768-1 MEDIUM	Unit mm	Scale 1:1.5	Sheet 1 of 2
		Description Closed ball bearings slide	Material Zinc coated steel		
Device		Pair Weight 1.332 Kg	03T		



Scale
1:3.25



Designed by Cattaneo Mattia	Date 11.3.15	Checked and Approved by Paleari Loris	Revision	Date	Item 36600
			General tolerance SS-ISO-2768-1 MEDIUM	Unit mm	Scale 1:2
			Description Open ball bearings slide	Material Zinc coated steel	
Device			Pair Weight 1.332 Kg	03T	