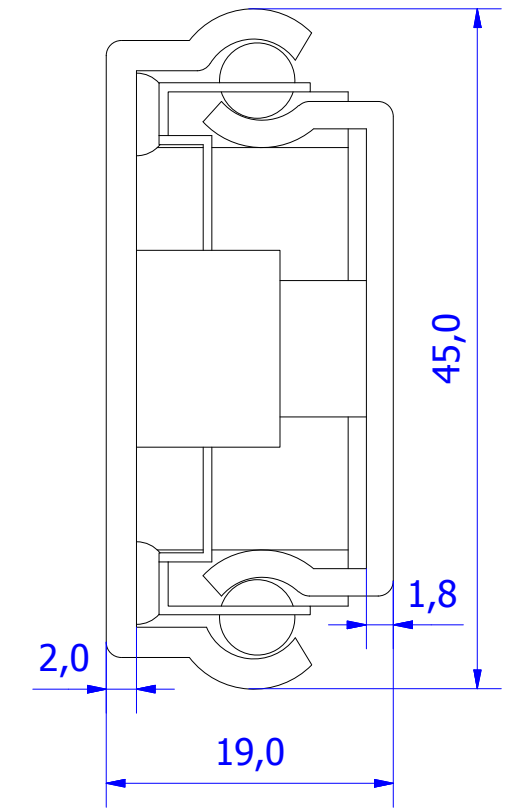
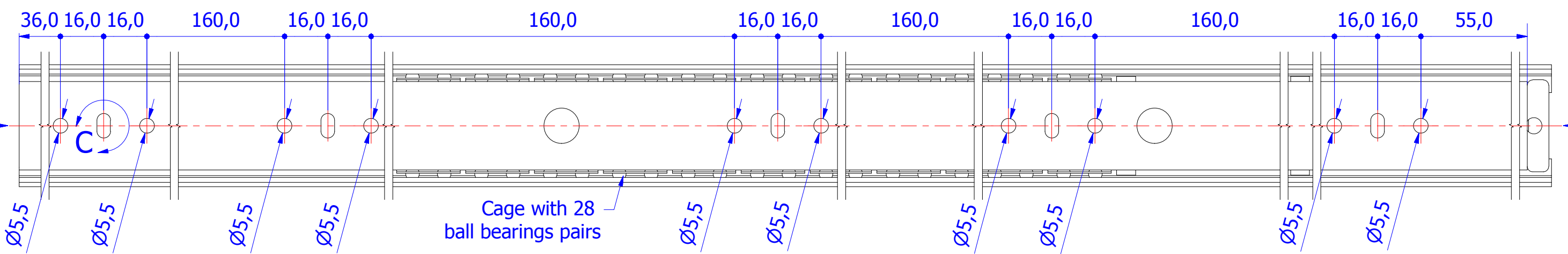
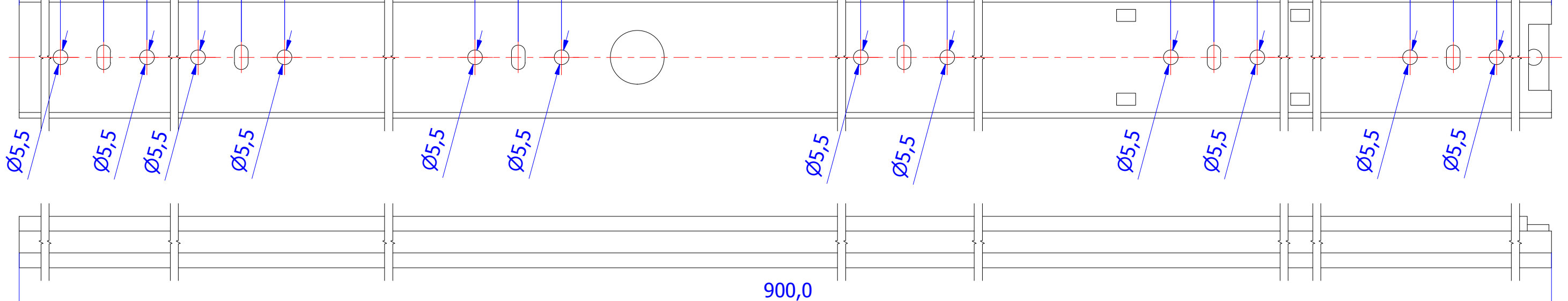
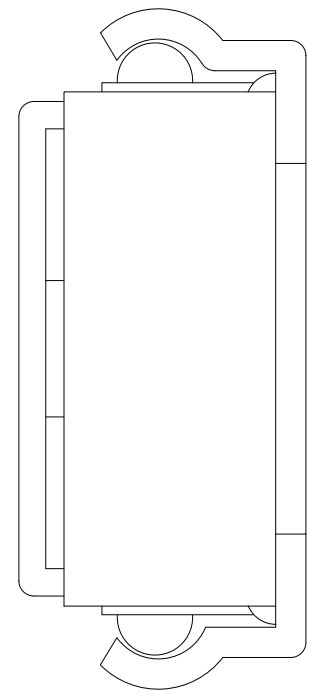


6 5 4 3 2 1

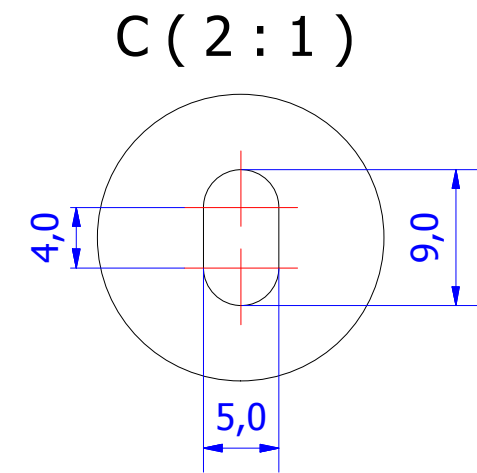
36,0 16,0 16,0 128,0 16,0 16,0 96,0 16,0 16,0 188,0 16,0 16,0 96,0 16,0 16,0 128,0 16,0 16,0 36,0




A (2 : 1)



B (2 : 1)

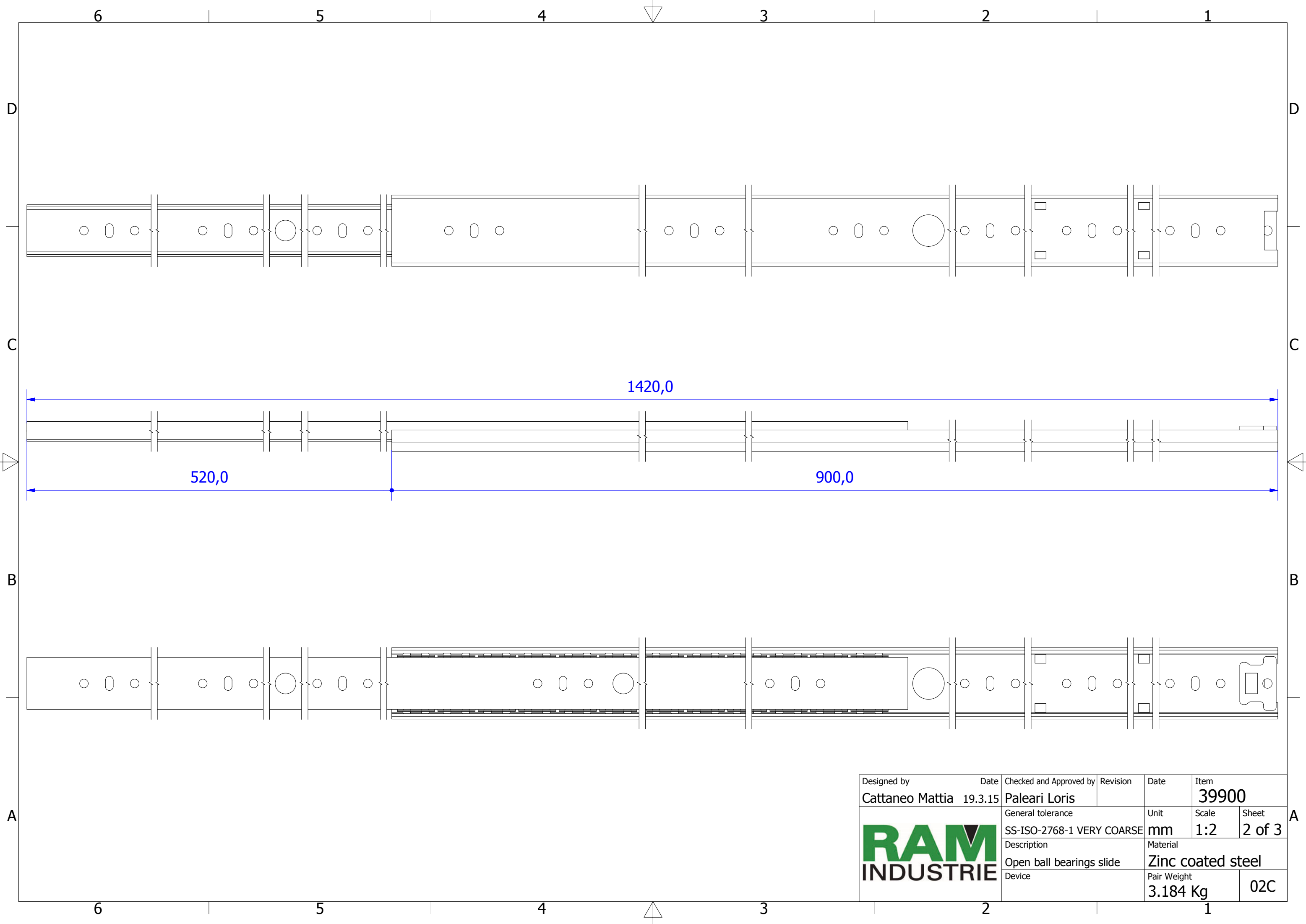



C (2 : 1)

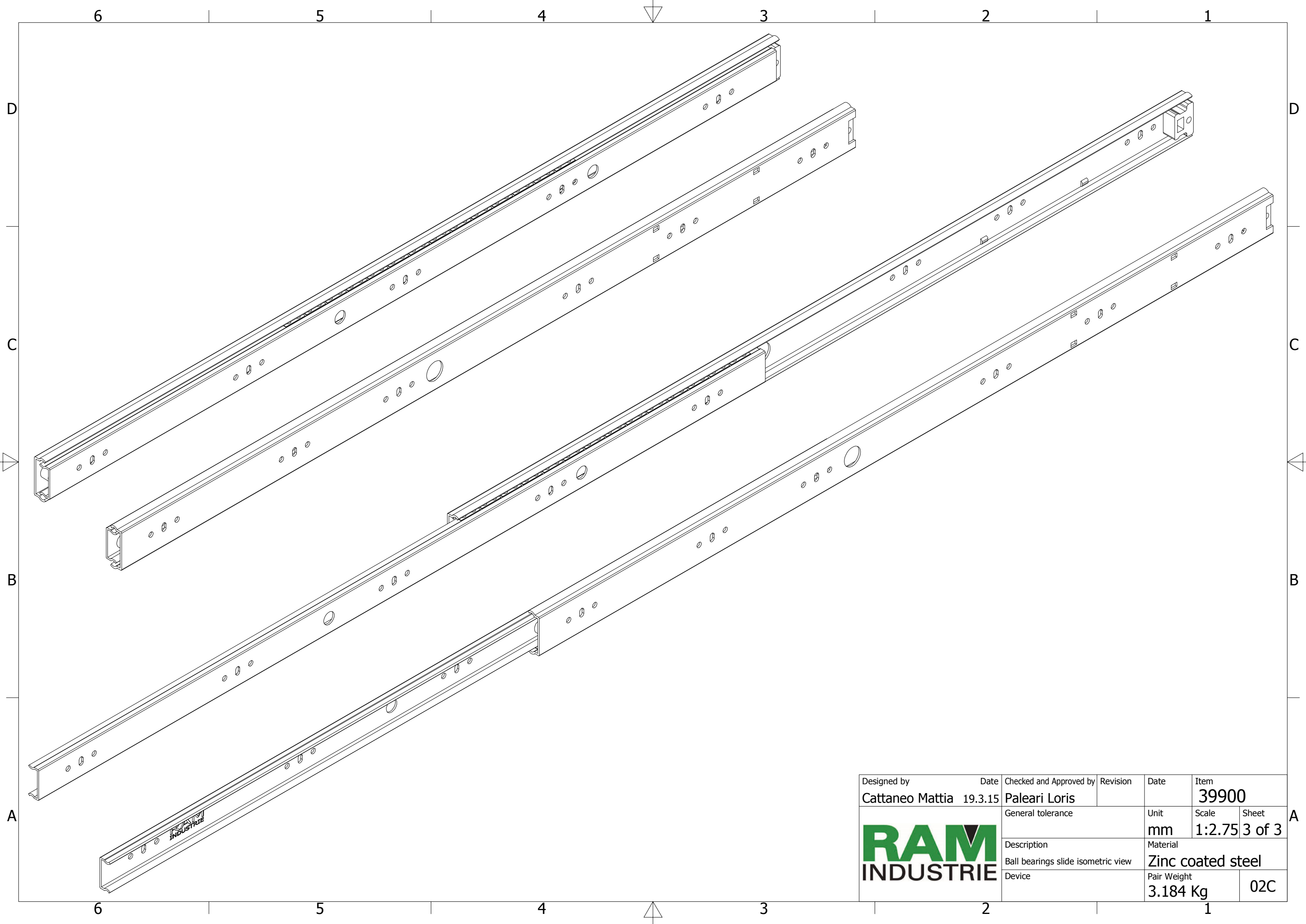
Designed by Cattaneo Mattia	Date 19.3.15	Checked and Approved by Paleari Loris	Revision	Date	Item 39900
		General tolerance SS-ISO-2768-1 MEDIUM	Unit mm	Scale 1:1.5	Sheet 1 of 3
		Description Closed ball bearings slide	Material Zinc coated steel		
		Device	Pair Weight 3.184 Kg	02C	


6 5 4 3 2 1

A B C D



Designed by Cattaneo Mattia	Date 19.3.15	Checked and Approved by Paleari Loris	Revision	Date	Item 39900
	General tolerance SS-ISO-2768-1 VERY COARSE		Unit mm	Scale 1:2	Sheet 2 of 3
	Description Open ball bearings slide		Material Zinc coated steel		
	Device		Pair Weight 3.184 Kg	02C	



Designed by Cattaneo Mattia	Date 19.3.15	Checked and Approved by Paleari Loris	Revision	Date	Item 39900
			General tolerance		Unit mm
			Description Ball bearings slide isometric view		Scale 1:2.75
Device				Material Zinc coated steel	Pair Weight 3.184 Kg
					02C