
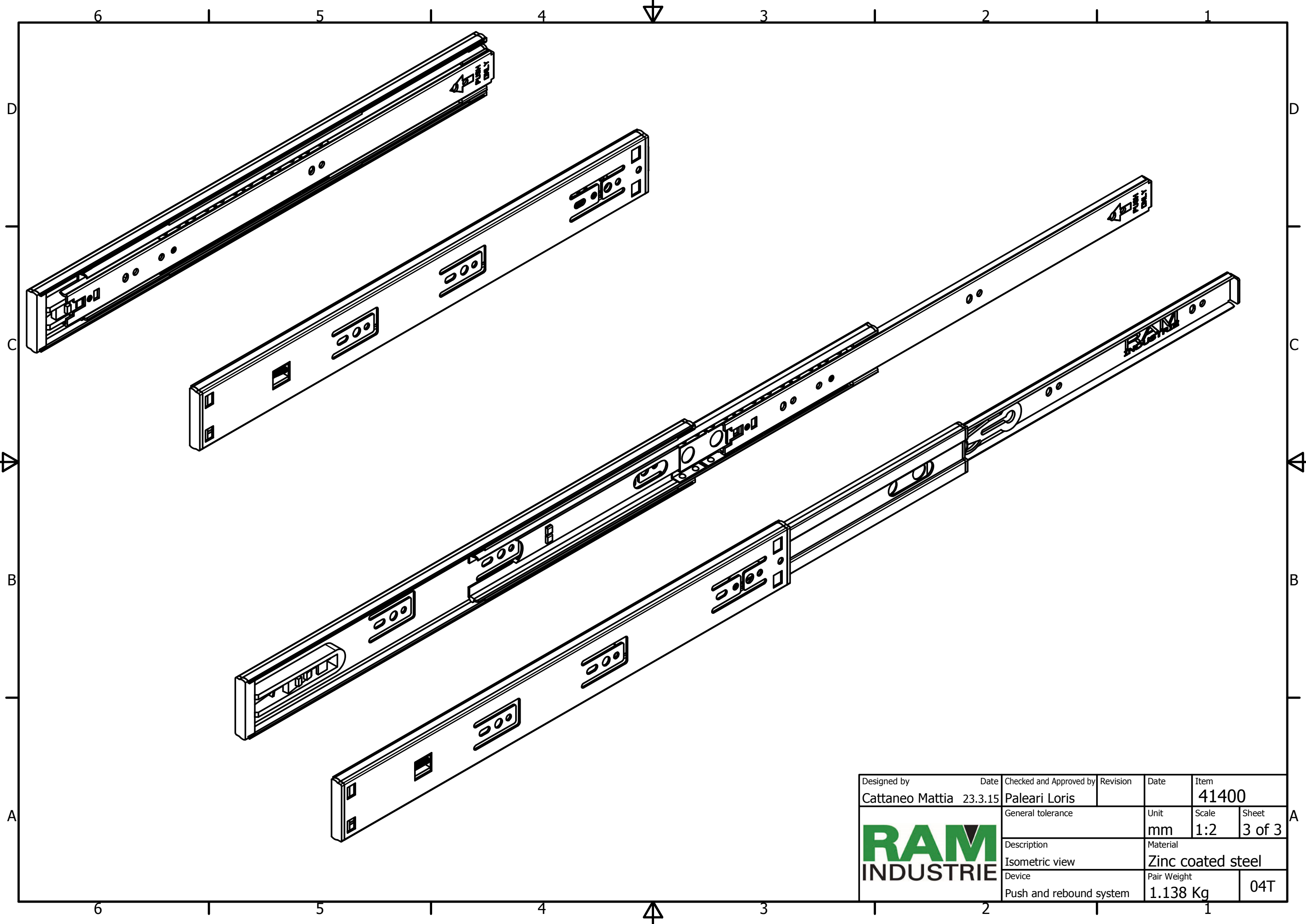



Designed by Cattaneo Mattia	Date 23.3.15	Checked and Approved by Paleari Loris	Revision	Date	Item 41400
	General tolerance SS-ISO-2768-1 VERY COARSE		Unit mm	Scale 1:2	Sheet 2 of 3
	Description Open ball bearings slide		Material Zinc coated steel		
	Device Push and rebound system		Pair Weight 1.138 Kg	04T	



Designed by	Date	Checked and Approved by	Revision	Date	Item
Cattaneo Mattia	23.3.15	Paleari Loris			41400
			General tolerance		Unit
					mm
Description			Material		
Isometric view			Zinc coated steel		
Device			Pair Weight		
Push and rebound system			1.138 Kg		04T