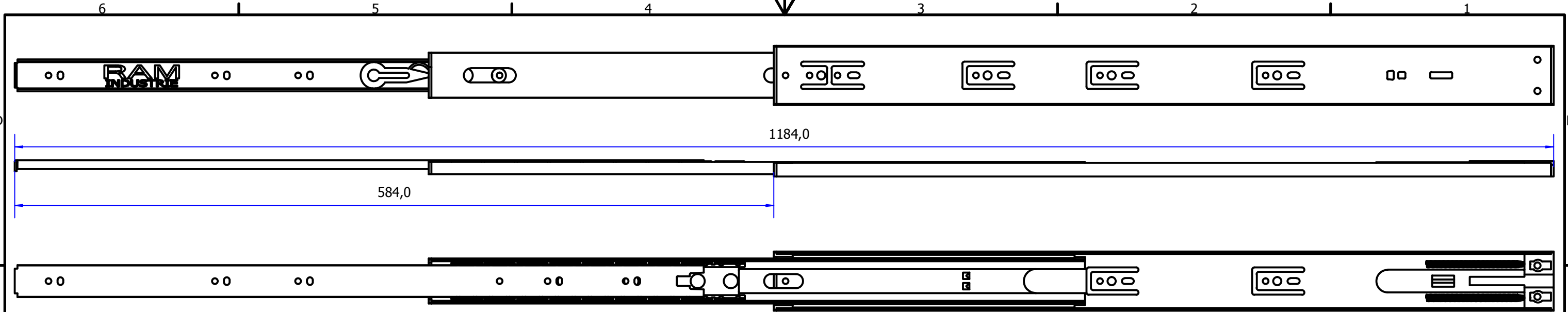


Designed by	Date	Checked and Approved by	Rev	Date	Item
Cattaneo Mattia	19.1.15	Paleari Loris			42600
General tolerance		Pair Weight	Scale	Unit	
SS-ISO-2768-1 MEDIUM		1.682 Kg	1 : 1.75	mm	
Description		Material			
Closed ball bearing		Zinc coated steel			
Device		Sheet			
Soft-self closing		1 of 2			





Designed by	Date	Checked and Approved by	Rev	Date	Item
Cattaneo Mattia	19.1.15	Paleari Loris			42600
General tolerance			Pair Weight	Scale	Unit
SS-ISO-2768-1 MEDIUM			1.682 Kg	1 : 3	mm
Description			Material		
Open ball bearing			Zinc coated steel		
Device				Sheet	
Soft-self closing				2 of 2	

