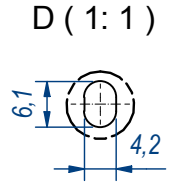
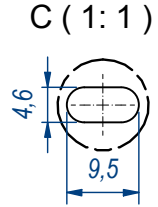
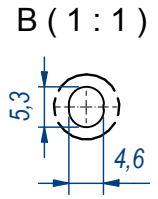
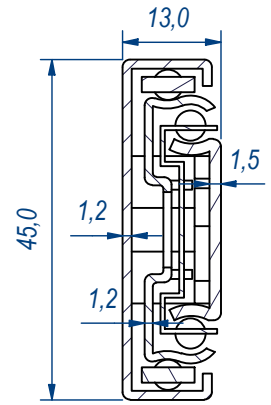
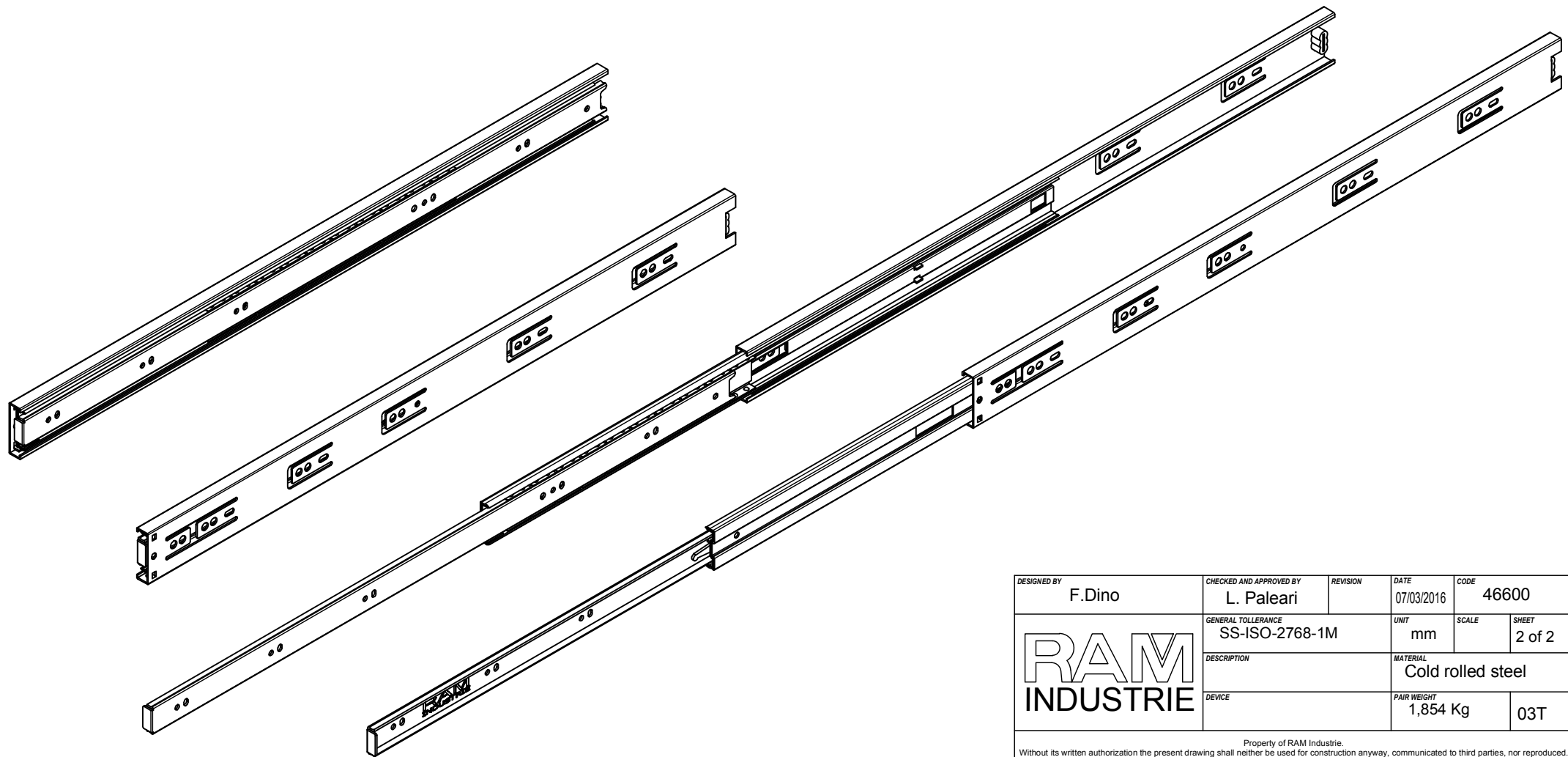
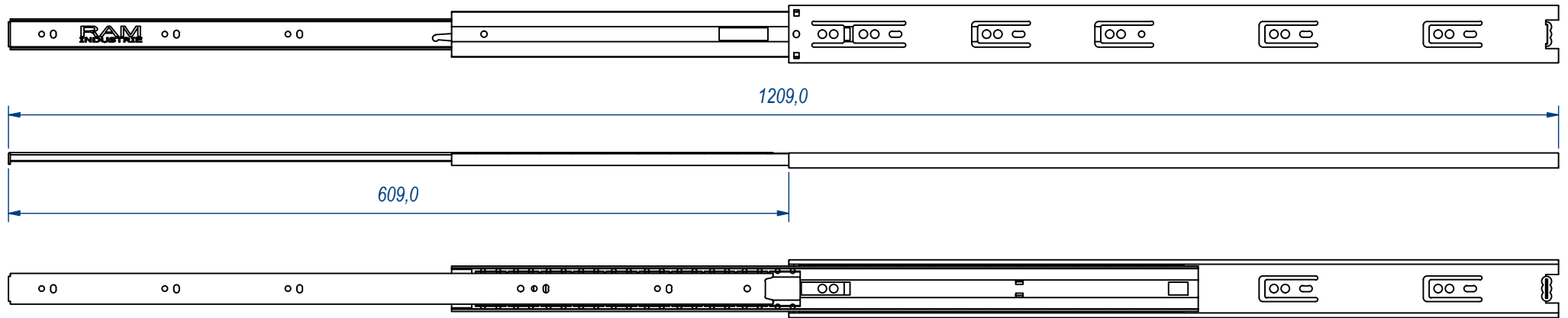



SEZ. A-A



| | | | | |
|------------------------------|----------------------------------------------|--------------------------------------|-------------------------------|-----------------|
| DESIGNED BY F.Dino | CHECKED AND APPROVED BY L. Paleari | REVISION | DATE 07/03/2016 | CODE 46600 |
| | | GENERAL TOLLERANCE SS-ISO-2768-1M | UNIT mm | SCALE 1 of 2 |
| | | DESCRIPTION | MATERIAL Cold rolled steel | |
| DEVICE | PAIR WEIGHT 1,854 Kg | | 03T | |

Property of RAM Industrie.
Without its written authorization the present drawing shall neither be used for construction anyway, communicated to third parties, nor reproduced.



| | | | | |
|---------------------------------------------------------------------------------------|---------------------------------------|--------------------------------------|-------------------------------|--------------------------|
| DESIGNED BY F.Dino | CHECKED AND APPROVED BY L. Paleari | REVISION | DATE 07/03/2016 | CODE 46600 |
|  | | GENERAL TOLLERANCE SS-ISO-2768-1M | UNIT mm | SCALE SHEET 2 of 2 |
| | | DESCRIPTION | MATERIAL Cold rolled steel | |
| DEVICE | PAIR WEIGHT 1,854 Kg | | 03T | |

Property of RAM Industrie.
Without its written authorization the present drawing shall neither be used for construction anyway, communicated to third parties, nor reproduced.