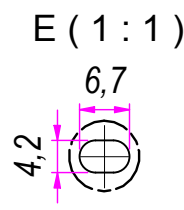
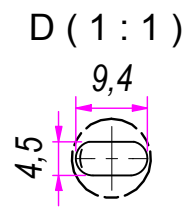
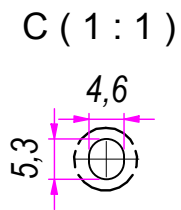
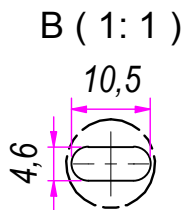
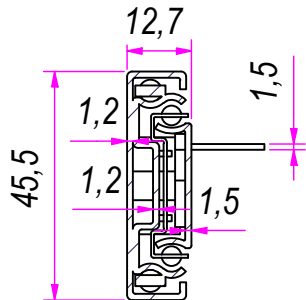
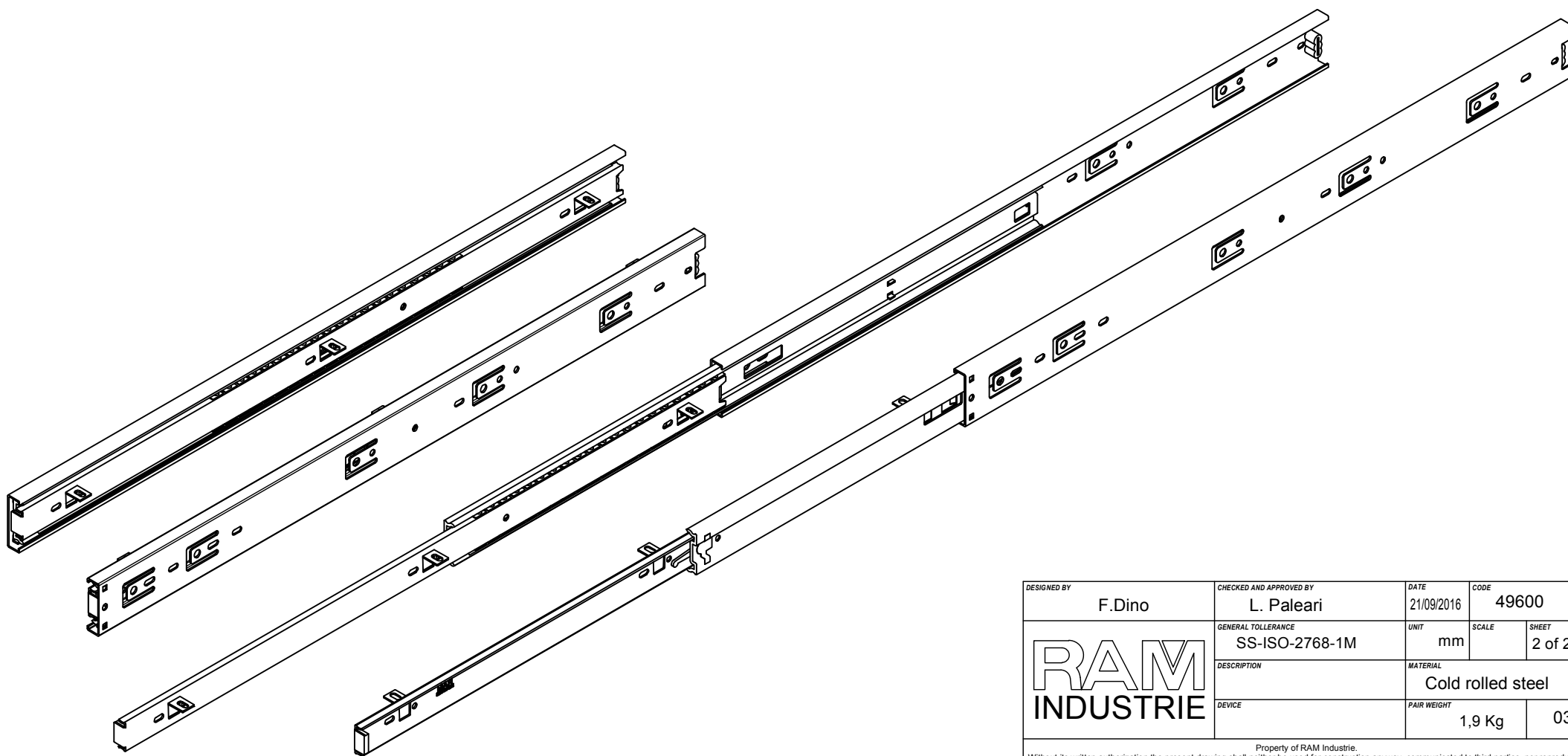
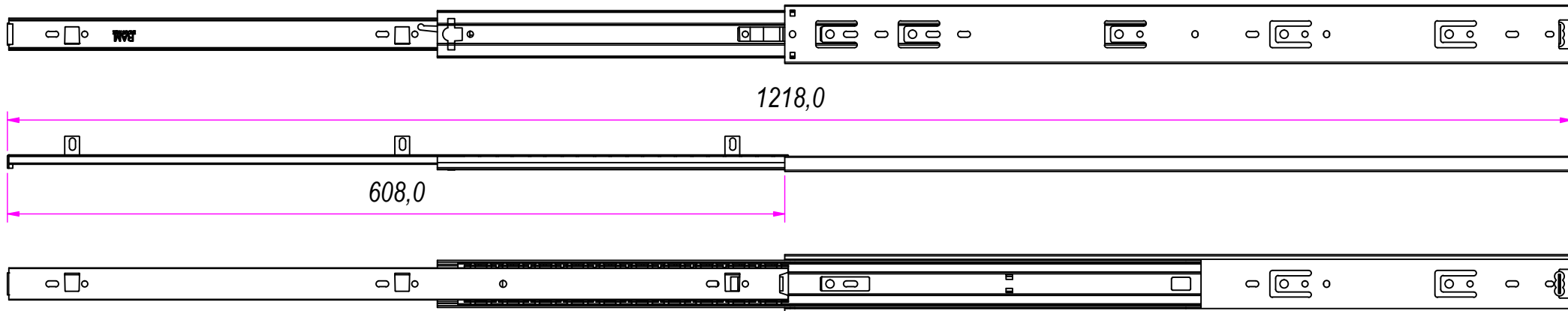



SEZ. A-A



DESIGNED BY F.Dino	CHECKED AND APPROVED BY L. Paleari	DATE 21/09/2016	CODE 49600
	GENERAL TOLLERANCE SS-ISO-2768-1M	UNIT mm	SCALE 1 of 2
	DESCRIPTION	MATERIAL Cold rolled steel	
DEVICE	PAIR WEIGHT 1,9 Kg	03T	

Property of RAM Industrie.
Without its written authorization the present drawing shall neither be used for construction anyway, communicated to third parties, nor reproduced.



DESIGNED BY F.Dino	CHECKED AND APPROVED BY L. Paleari	DATE 21/09/2016	CODE 49600
	GENERAL TOLLERANCE SS-ISO-2768-1M	UNIT mm	SCALE SHEET 2 of 2
	DESCRIPTION	MATERIAL Cold rolled steel	
DEVICE	PAIR WEIGHT 1,9 Kg	03T	

Property of RAM Industrie.
Without its written authorization the present drawing shall neither be used for construction anyway, communicated to third parties, nor reproduced.