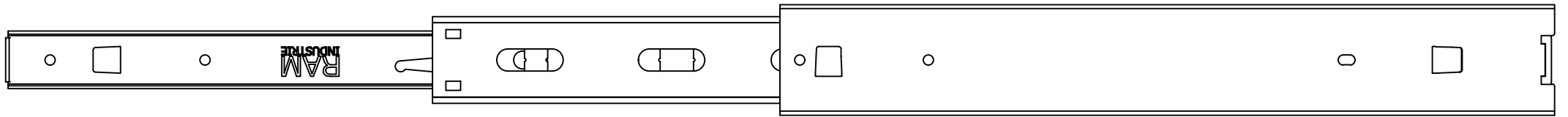


DESIGNED BY F.Dino	CHECKED AND APPROVED BY L. Paleari	REVISION	DATE 16/11/2018	CODE 52350
GENERAL TOLLERANCE SS-ISO-2768-1M			UNIT mm	SCALE 1 of 2
DESCRIPTION Bayonet side mounting			MATERIAL Cold rolled steel	
DEVICE			PAIR WEIGHT 1,354 Kg	02C

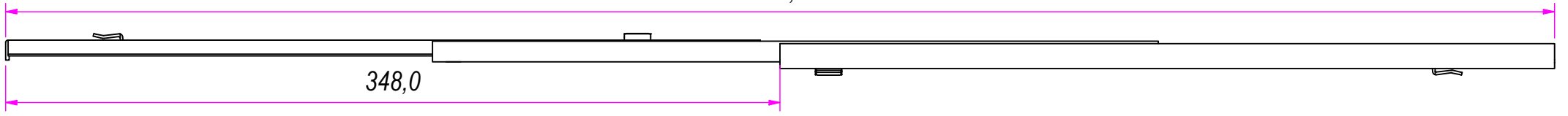
RAM
INDUSTRIE

REVISION HISTORY			
REV	DESCRIPTION	APPROVED BY	DATE
1	Added hole	F.Dino	16/11/2018

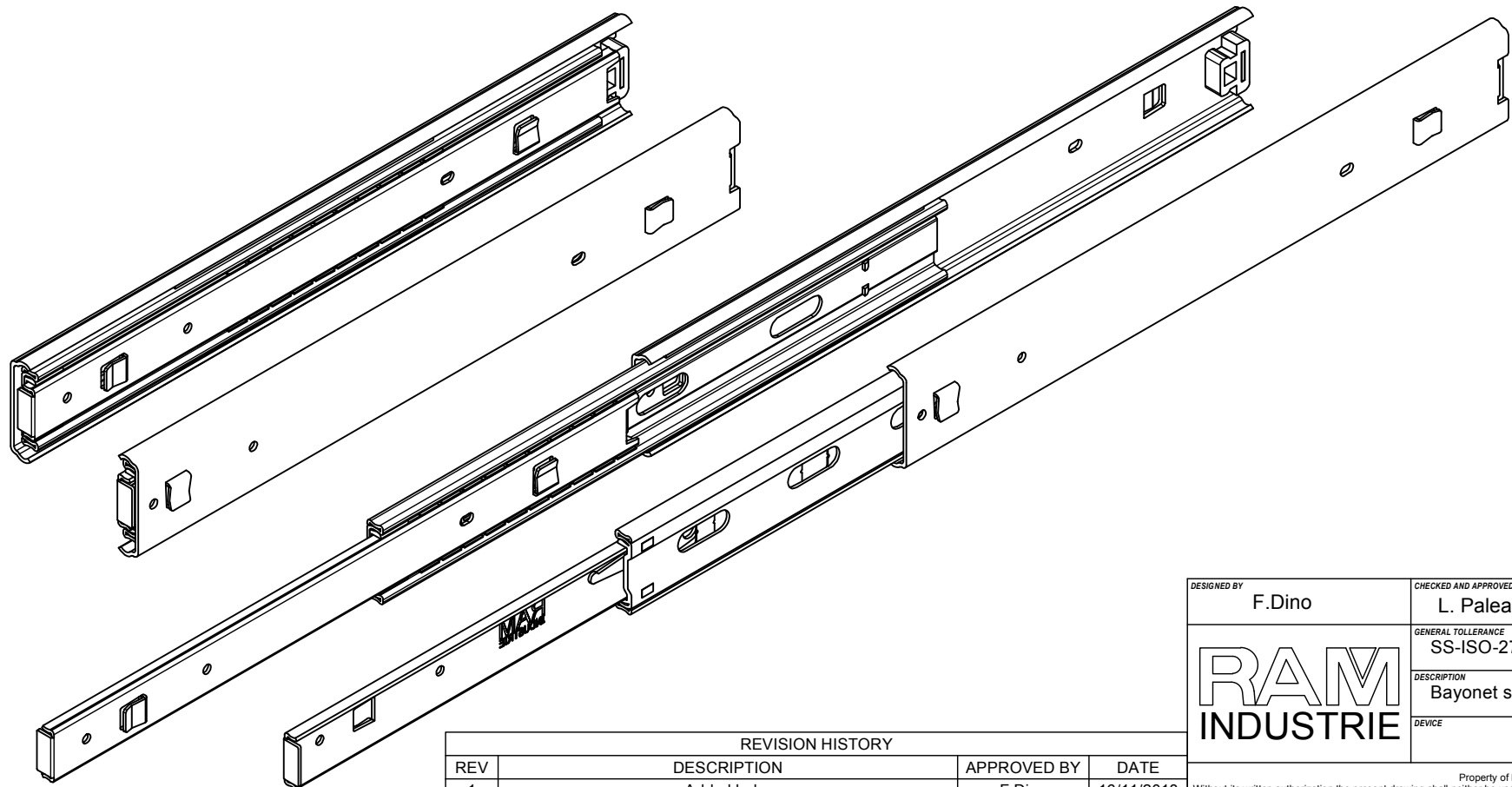
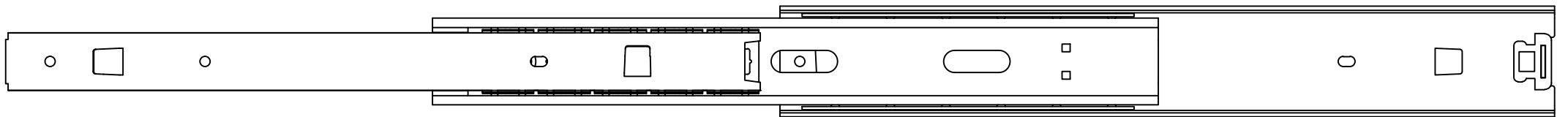
Property of RAM Industrie.
Without its written authorization the present drawing shall neither be used for construction anyway, communicated to third parties, nor reproduced.




698,0



348,0



REVISION HISTORY			
REV	DESCRIPTION	APPROVED BY	DATE
1	Added hole	F.Dino	16/11/2018

DESIGNED BY F.Dino	CHECKED AND APPROVED BY L. Paleari	REVISION	DATE 16/11/2018	CODE 52350
		GENERAL TOLLERANCE SS-ISO-2768-1M	UNIT mm	SCALE 2 of 2
		DESCRIPTION Bayonet side mounting	MATERIAL Cold rolled steel	
DEVICE		PAIR WEIGHT 1,354 Kg	02C	

Property of RAM Industrie.
Without its written authorization the present drawing shall neither be used for construction anyway, communicated to third parties, nor reproduced.