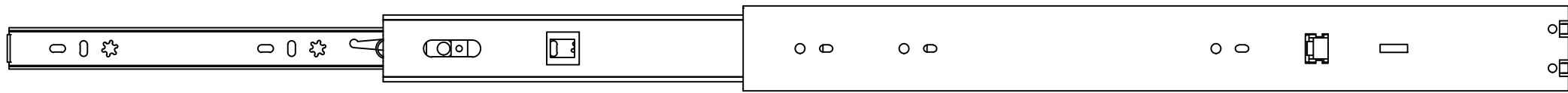


REVISION HISTORY			
REV	DESCRIPTION	APPROVED BY	DATE
1		F.Dino	18/10/2016

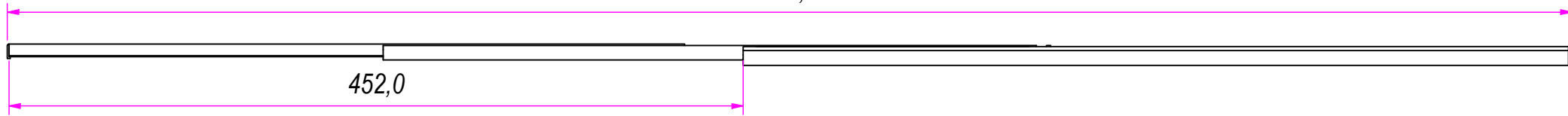
DESIGNED BY F.Dino	CHECKED AND APPROVED BY L. Paleari	DATE 18/10/2016	CODE 55500
GENERAL TOLLERANCE SS-ISO-2768-1M		UNIT mm	SCALE 1 of 2
DESCRIPTION Soft-Self closing with double-spring		MATERIAL Cold rolled steel	
		PAIR WEIGHT 2,074 Kg	01T

**RAM**  
INDUSTRIE

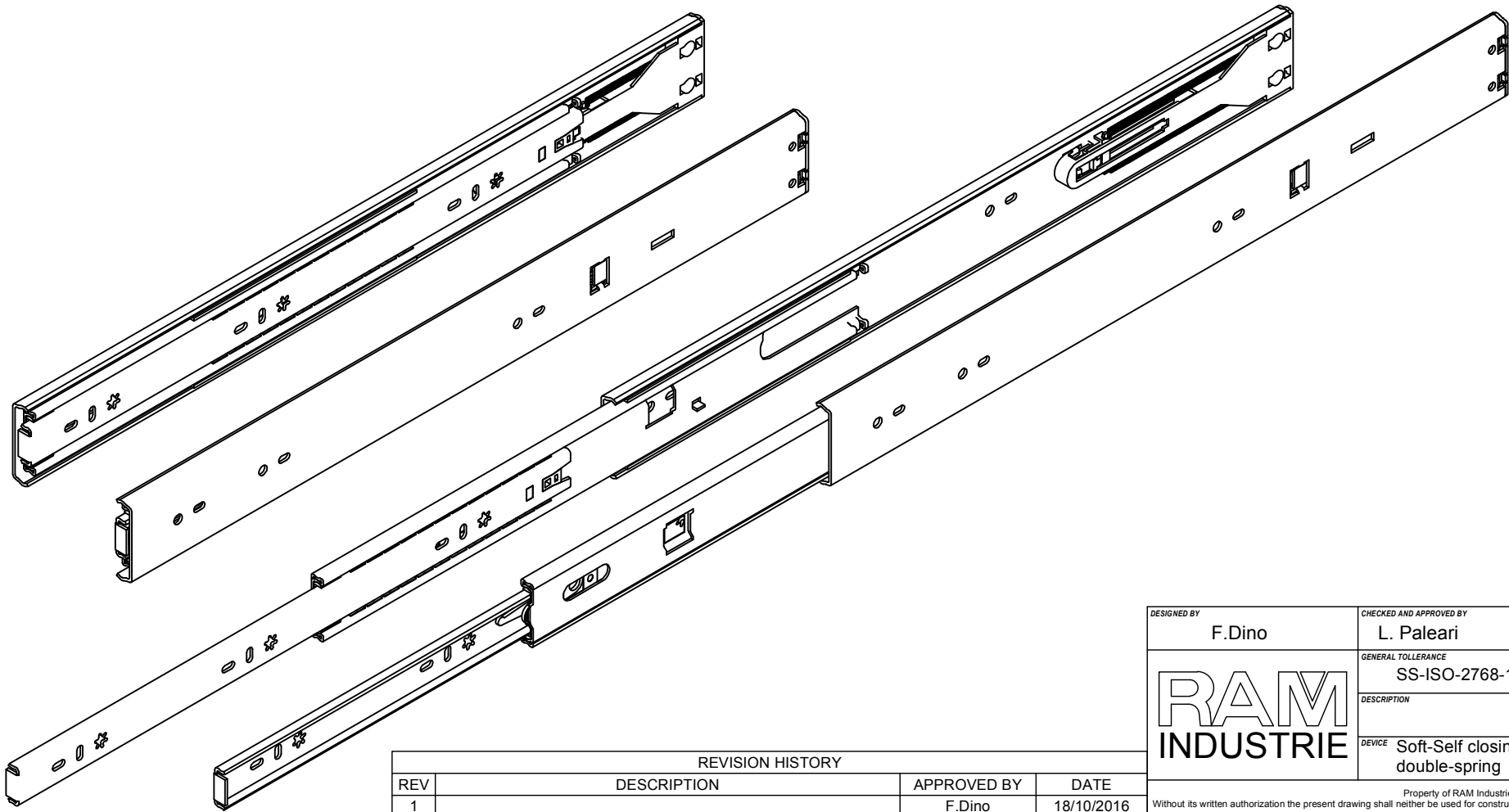
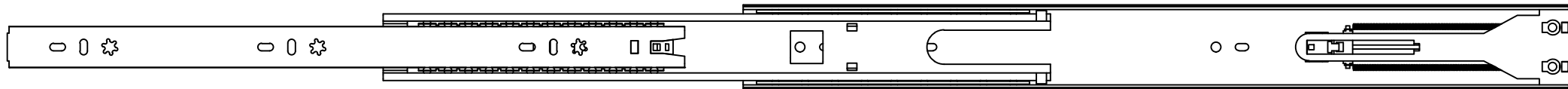
Property of RAM Industrie.  
Without its written authorization the present drawing shall neither be used for construction anyway, communicated to third parties, nor reproduced.




962,0



452,0



REVISION HISTORY			
REV	DESCRIPTION	APPROVED BY	DATE
1		F.Dino	18/10/2016

DESIGNED BY F.Dino	CHECKED AND APPROVED BY L. Paleari	DATE 18/10/2016	CODE 55500	
		GENERAL TOLLERANCE SS-ISO-2768-1M	UNIT mm	SCALE 2 of 2
		DESCRIPTION Soft-Self closing with double-spring	MATERIAL Cold rolled steel	PAIR WEIGHT 2,074 Kg
<small>Property of RAM Industrie. Without its written authorization the present drawing shall neither be used for construction anyway, communicated to third parties, nor reproduced.</small>				