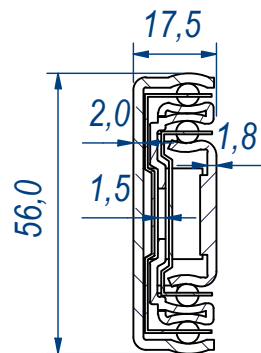
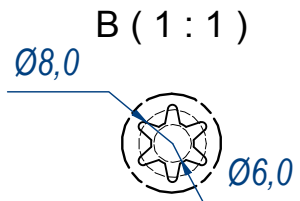
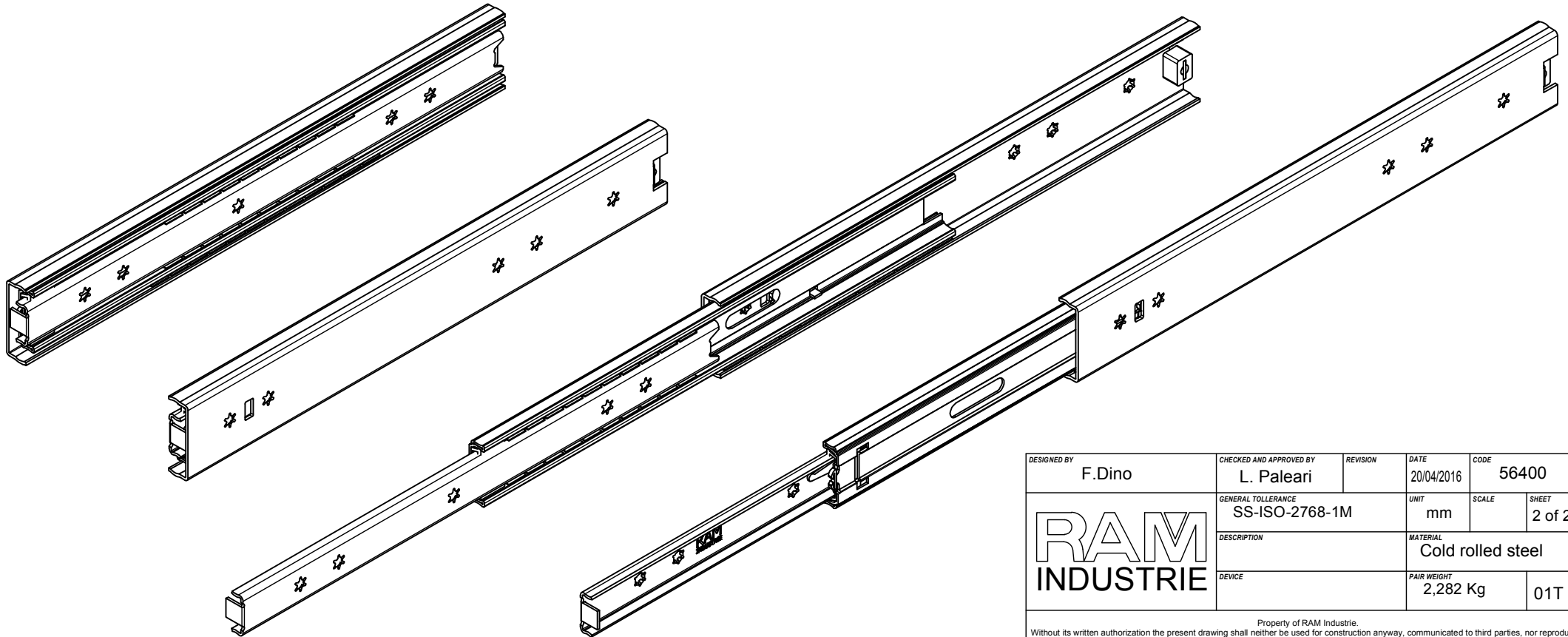
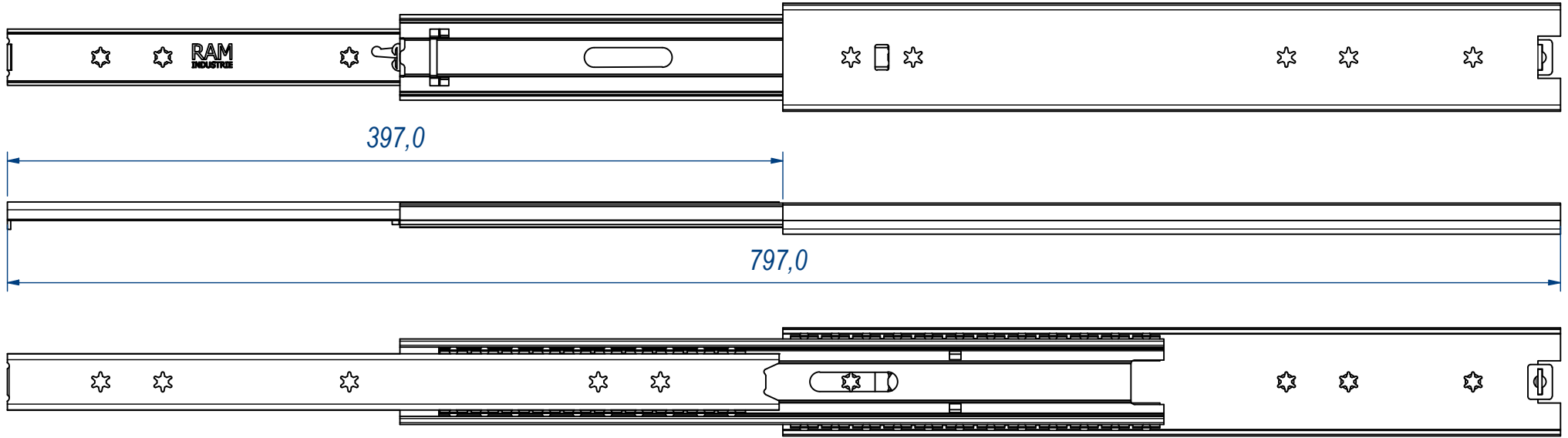



SEZ. A-A



DESIGNED BY F.Dino	CHECKED AND APPROVED BY L. Paleari	REVISION	DATE 20/04/2016	CODE 56400
GENERAL TOLLERANCE SS-ISO-2768-1M			UNIT mm	SHEET 1 of 2
			MATERIAL Cold rolled steel	
			PAIR WEIGHT 2,282 Kg	01T

Property of RAM Industrie.
Without its written authorization the present drawing shall neither be used for construction anyway, communicated to third parties, nor reproduced.



DESIGNED BY F.Dino	CHECKED AND APPROVED BY L. Paleari	REVISION	DATE 20/04/2016	CODE 56400
		GENERAL TOLLERANCE SS-ISO-2768-1M	UNIT mm	SHEET 2 of 2
		DESCRIPTION	MATERIAL Cold rolled steel	
DEVICE	PAIR WEIGHT 2,282 Kg		01T	

Property of RAM Industrie.
Without its written authorization the present drawing shall neither be used for construction anyway, communicated to third parties, nor reproduced.