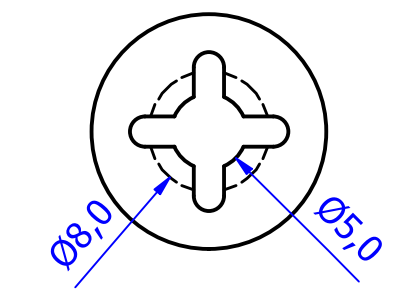
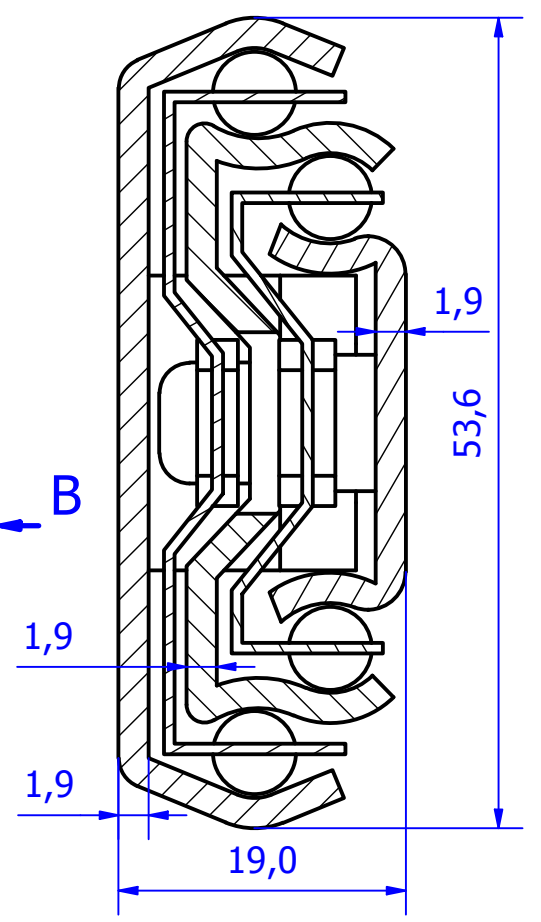


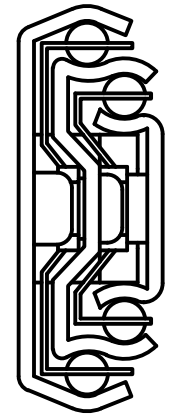
D (2 : 1)



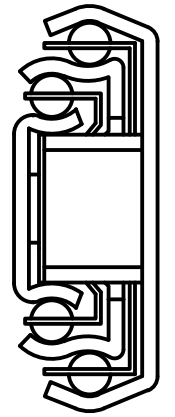
C-C (2 : 1)




A (1 : 1)

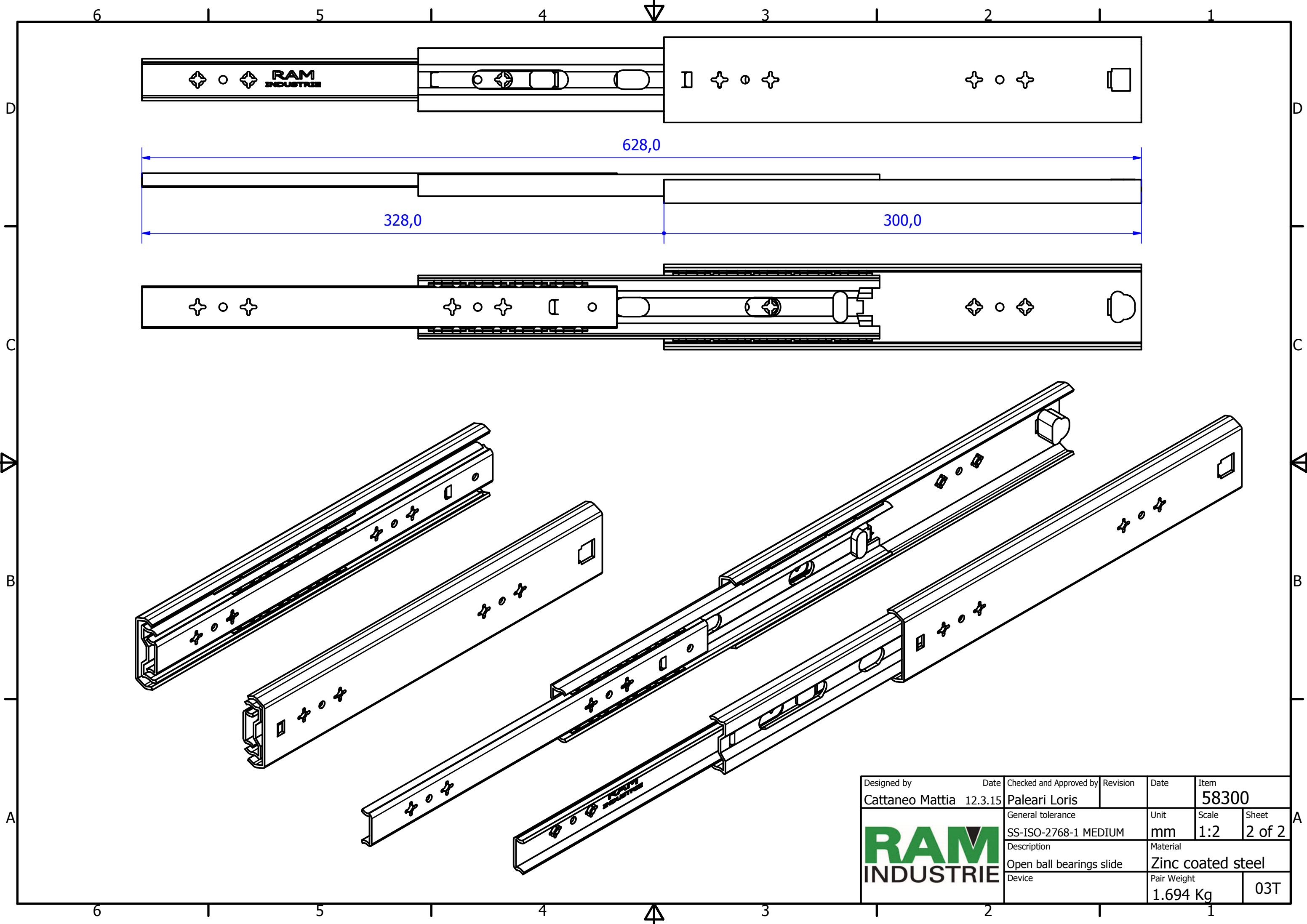



B (1 : 1)



Cage with 10 ball bearings
Cage with 8 ball bearings

Designed by Cattaneo Mattia	Date 12.3.15	Checked and Approved by Paleari Loris	Revision	Date	Item 58300
			General tolerance SS-ISO-2768-1 MEDIUM	Unit mm	Scale 1:1
			Description Closed ball bearings slide	Material Zinc coated steel	
Device				Pair Weight 1.694 Kg	03T



Designed by Cattaneo Mattia	Date 12.3.15	Checked and Approved by Paleari Loris	Revision	Date	Item 58300
			General tolerance SS-ISO-2768-1 MEDIUM	Unit mm	Scale 1:2
			Description Open ball bearings slide	Material Zinc coated steel	
Device			Pair Weight 1.694 Kg	03T	