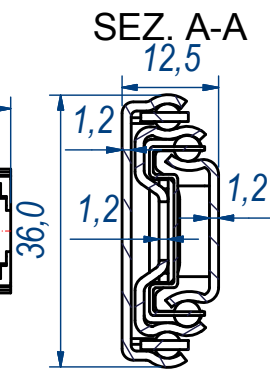
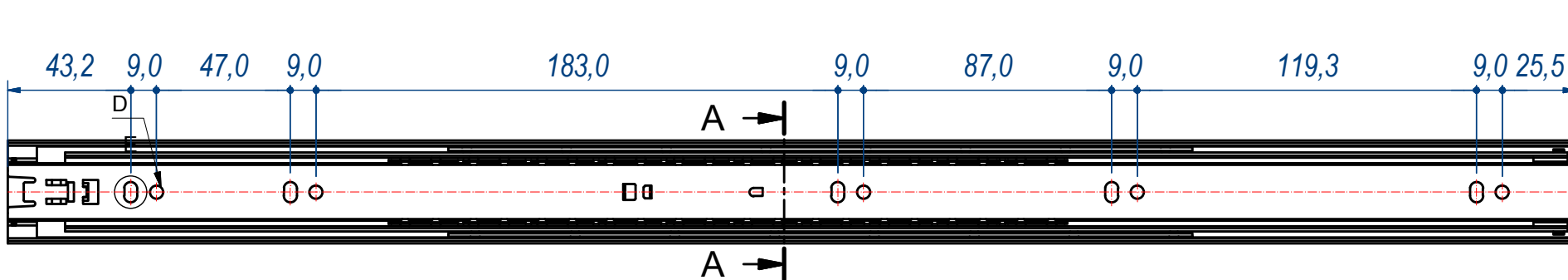
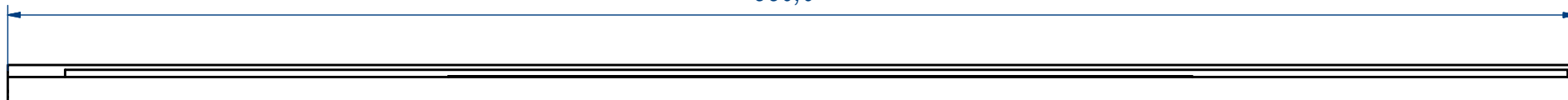


550,0

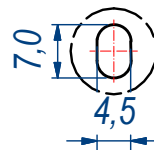
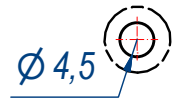
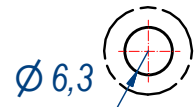
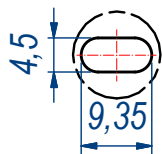


B (1:1)

C (1:1)

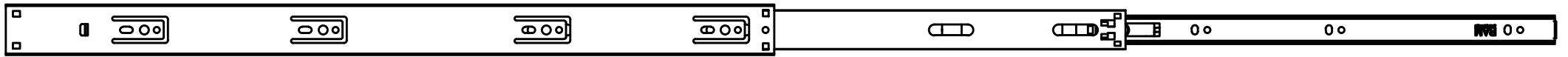
D (1:1)

E (1:1)

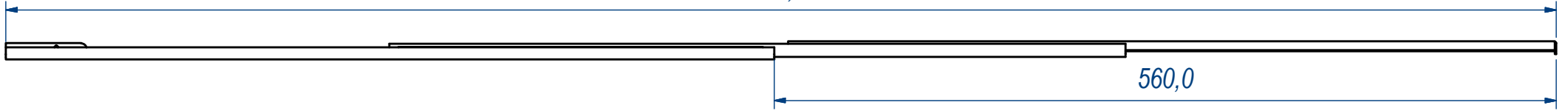


DESIGNED BY F.Dino	CHECKED AND APPROVED BY L. Paleari	REVISION	DATE 26/01/2016	CODE 62550
	GENERAL TOLERANCE SS-ISO-2768-1M	UNIT mm	SCALE	SHEET 1 of 2
	DESCRIPTION	MATERIAL Zinc coated steel		
	DEVICE Self closing	PAIR WEIGHT 1,25 Kg	02T	

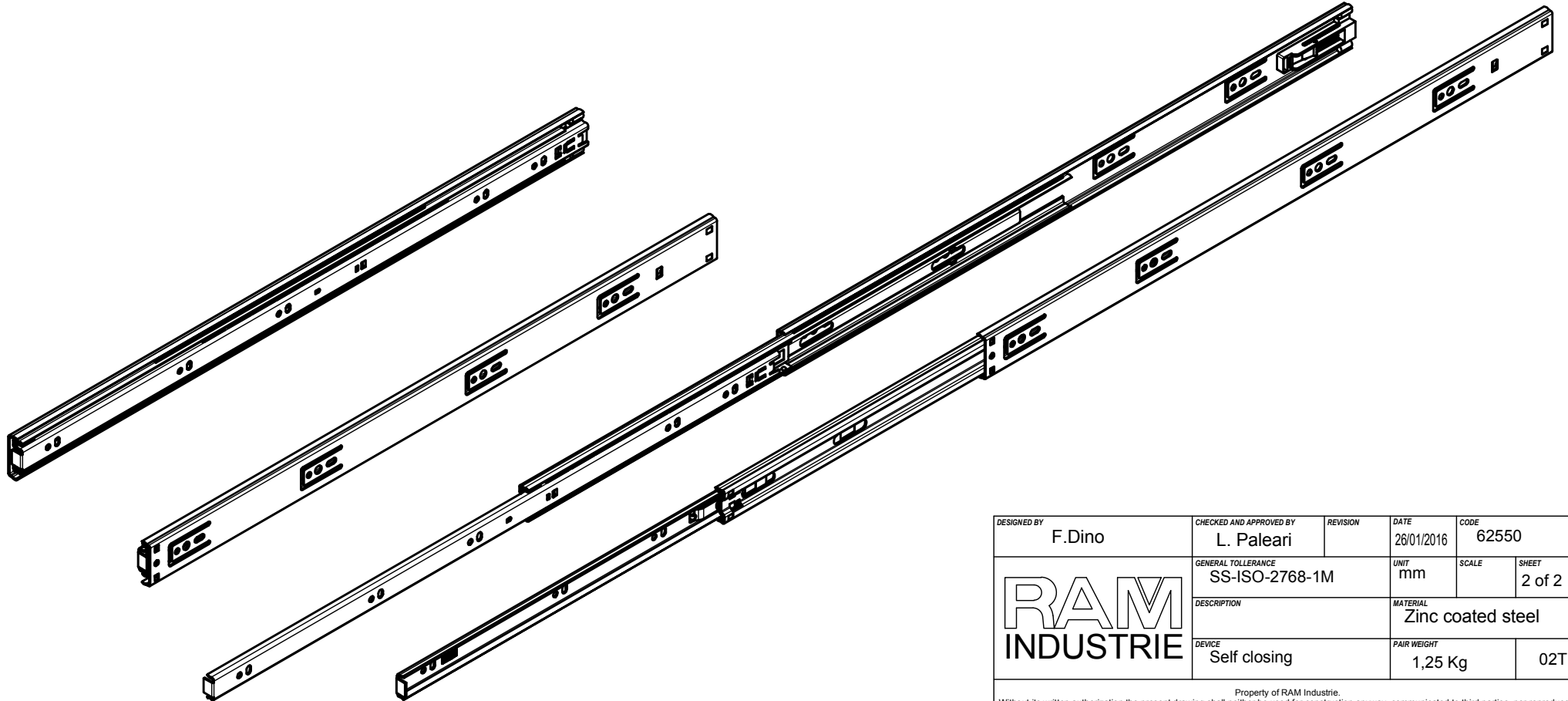
Property of RAM Industrie.
Without its written authorization the present drawing shall neither be used for construction anyway, communicated to third parties, nor reproduced.




1110,0



560,0



DESIGNED BY F.Dino	CHECKED AND APPROVED BY L. Paleari	REVISION	DATE 26/01/2016	CODE 62550
		GENERAL TOLLERANCE SS-ISO-2768-1M	UNIT mm	SCALE 2 of 2
		DESCRIPTION Self closing	MATERIAL Zinc coated steel	PAIR WEIGHT 1,25 Kg
SHEET 02T				

Property of RAM Industrie.
Without its written authorization the present drawing shall neither be used for construction anyway, communicated to third parties, nor reproduced.