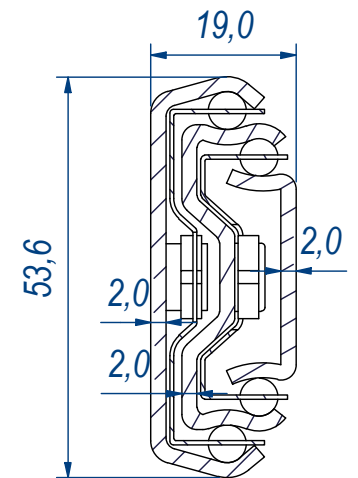
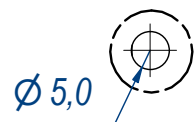
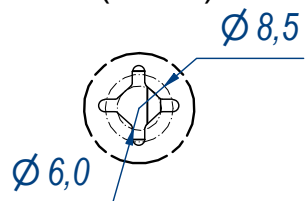


SEZ. A-A

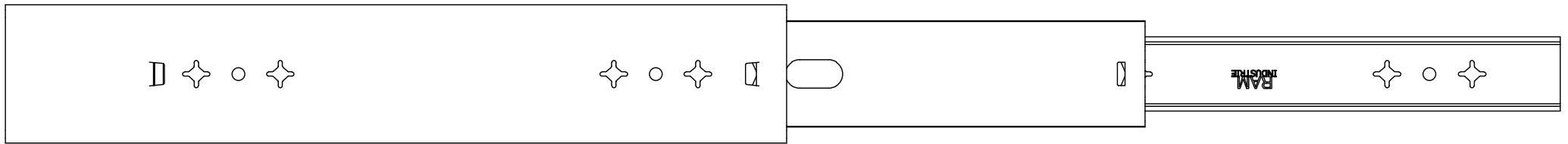


B (1:1)

C (1:1)

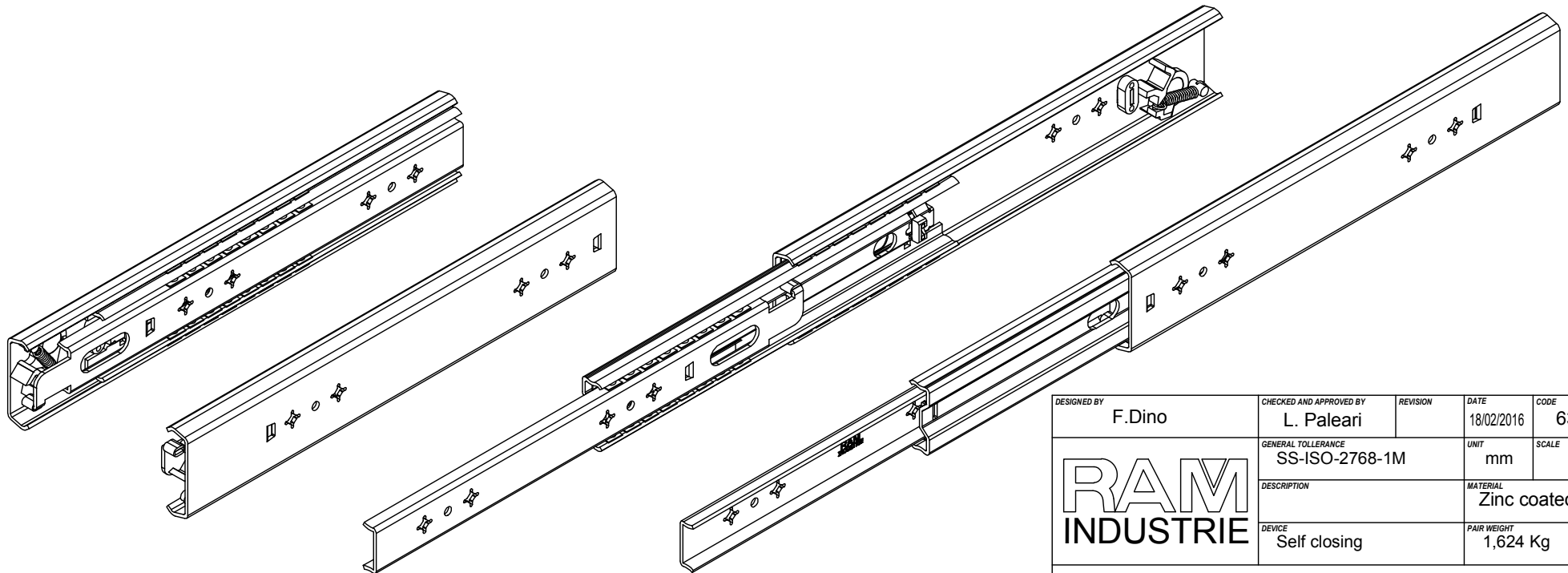
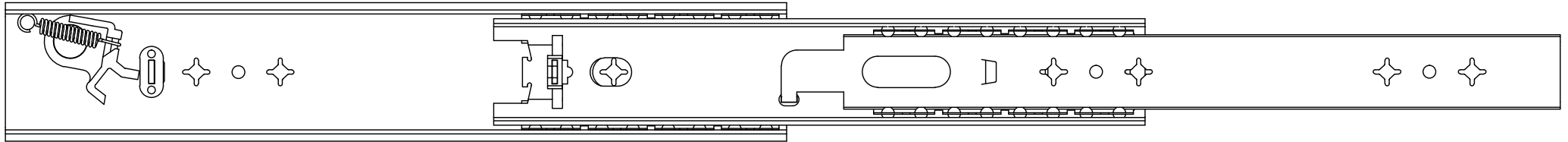


DESIGNED BY F.Dino	CHECKED AND APPROVED BY L. Paleari	REVISION	DATE 18/02/2016	CODE 63300
RAM INDUSTRIE		GENERAL TOLLERANCE SS-ISO-2768-1M	UNIT mm	SCALE SHEET 1 of 2
		DESCRIPTION	MATERIAL Zinc coated steel	
DEVICE Self closing		PAIR WEIGHT 1,624 Kg	01T	



600,0

300,0



DESIGNED BY F.Dino	CHECKED AND APPROVED BY L. Paleari	REVISION	DATE 18/02/2016	CODE 63300
GENERAL TOLERANCE SS-ISO-2768-1M		UNIT mm	SCALE	SHEET 2 of 2
DESCRIPTION Self closing		MATERIAL Zinc coated steel		
		PAIR WEIGHT 1,624 Kg	01T	

Property of RAM Industrie.
Without its written authorization the present drawing shall neither be used for construction anyway, communicated to third parties, nor reproduced.