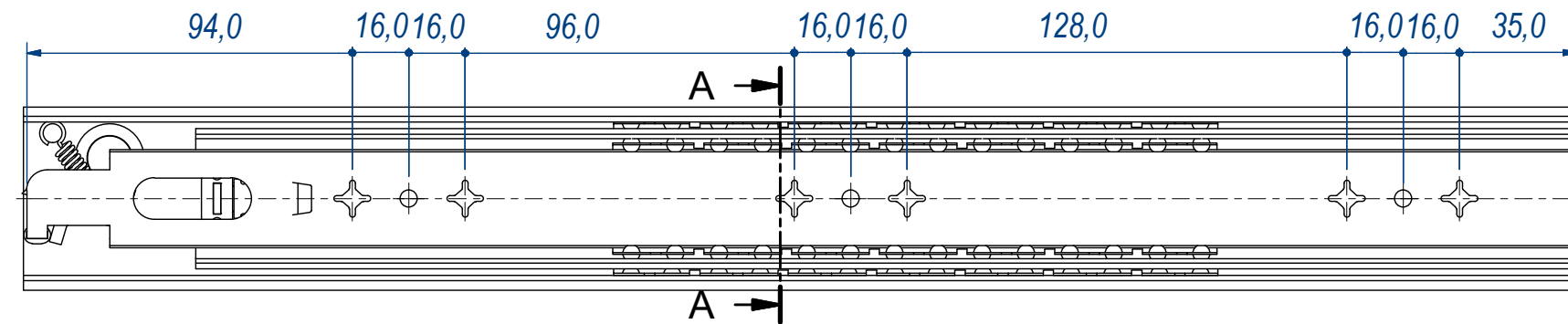
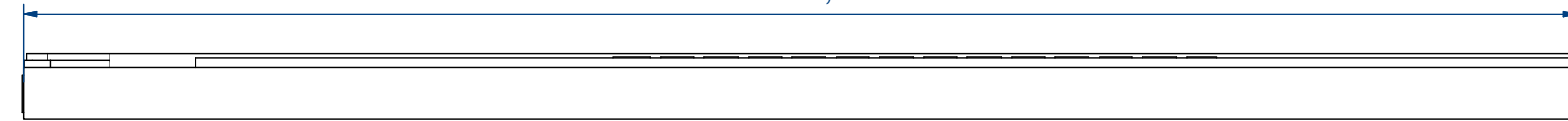
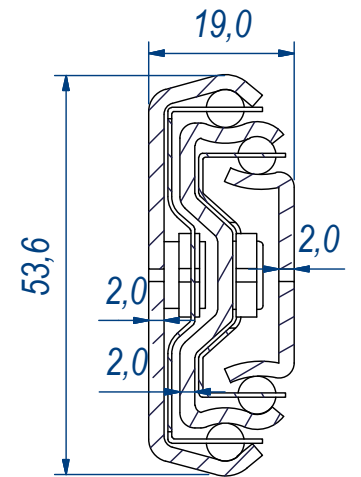


450,0

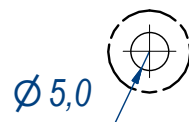
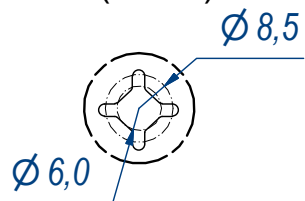


SEZ. A-A



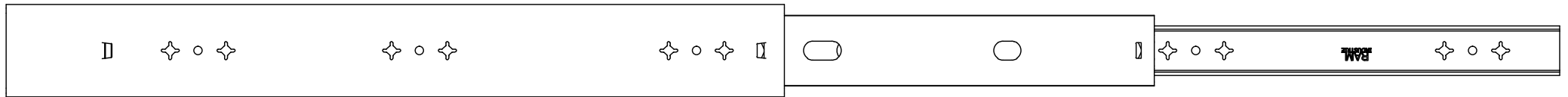
B (1:1)

C (1:1)



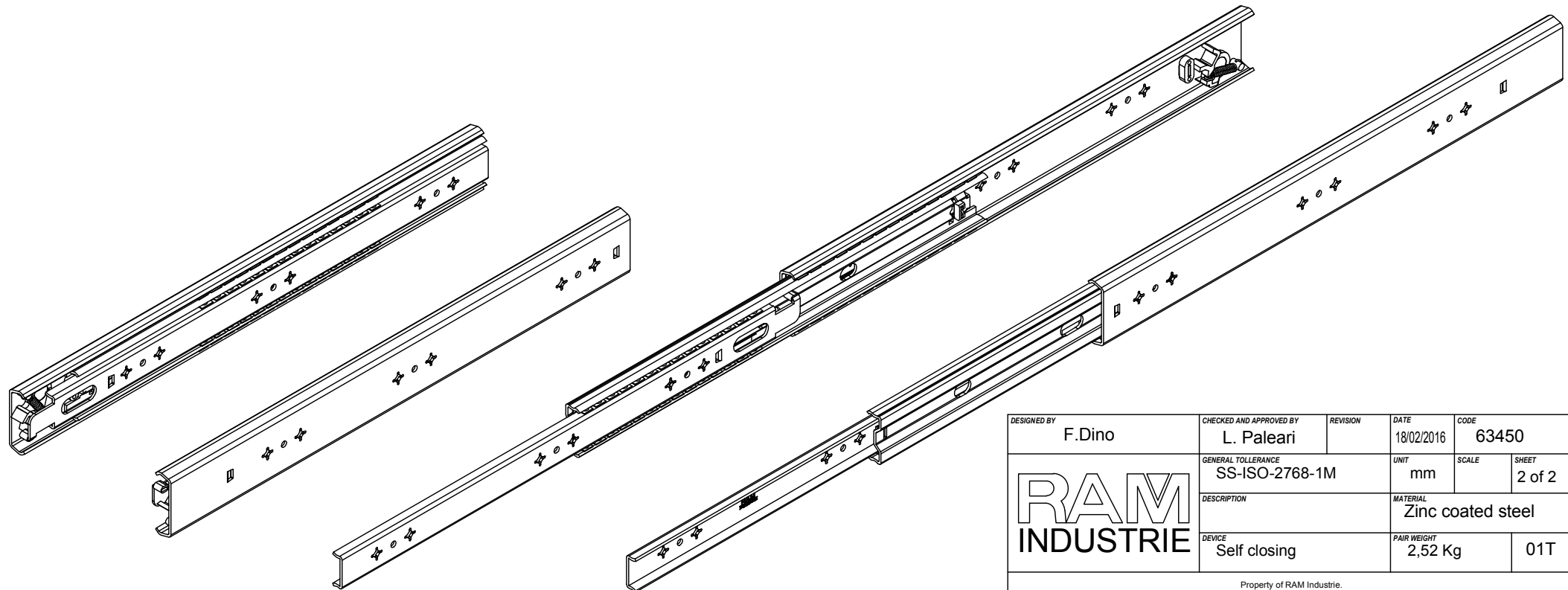
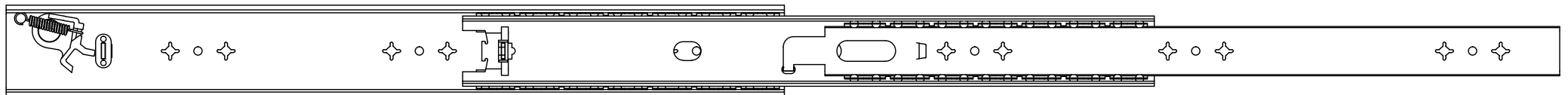
DESIGNED BY F.Dino	CHECKED AND APPROVED BY L. Paleari	REVISION	DATE 18/02/2016	CODE 63450
GENERAL TOLLERANCE SS-ISO-2768-1M		UNIT mm	SCALE	SHEET 1 of 2
DESCRIPTION Self closing		MATERIAL Zinc coated steel		
PAIR WEIGHT 2,52 Kg		01T		

Property of RAM Industrie.  
Without its written authorization the present drawing shall neither be used for construction anyway, communicated to third parties, nor reproduced.



900,0

450,0



DESIGNED BY F.Dino	CHECKED AND APPROVED BY L. Paleari	REVISION	DATE 18/02/2016	CODE 63450
GENERAL TOLERANCE SS-ISO-2768-1M		UNIT mm	SCALE	SHEET 2 of 2
DESCRIPTION Self closing			MATERIAL Zinc coated steel	
PAIR WEIGHT 2,52 Kg			01T	

Property of RAM Industrie.  
Without its written authorization the present drawing shall neither be used for construction anyway, communicated to third parties, nor reproduced.