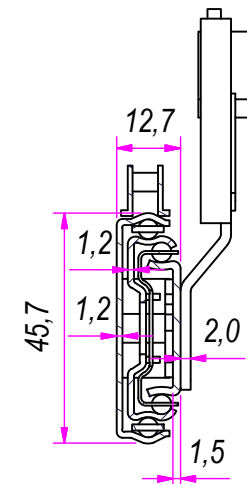
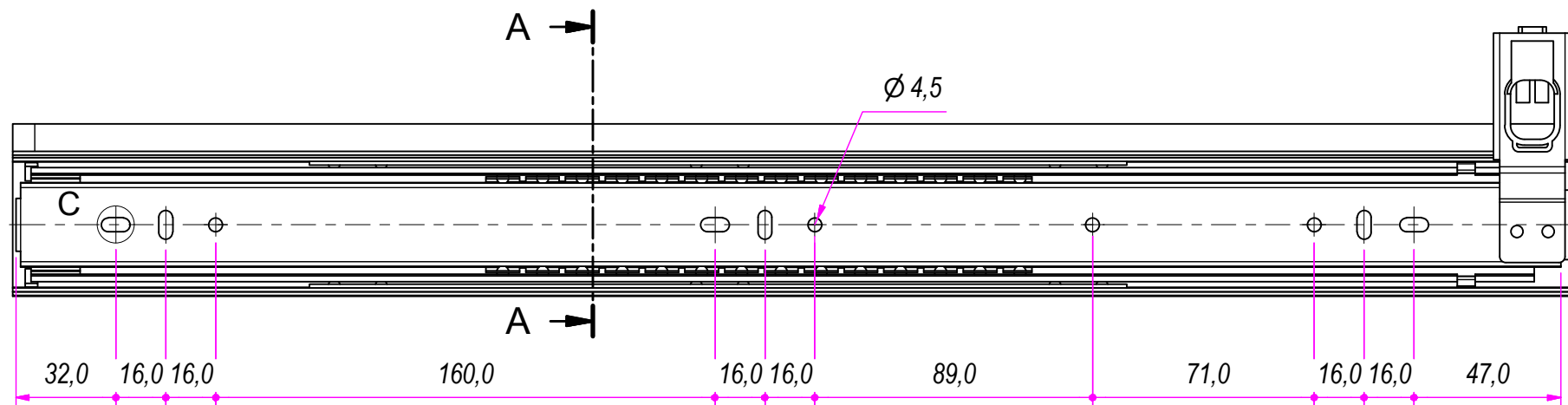
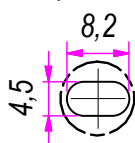


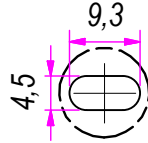
SEZ. A-A



B (1:1)

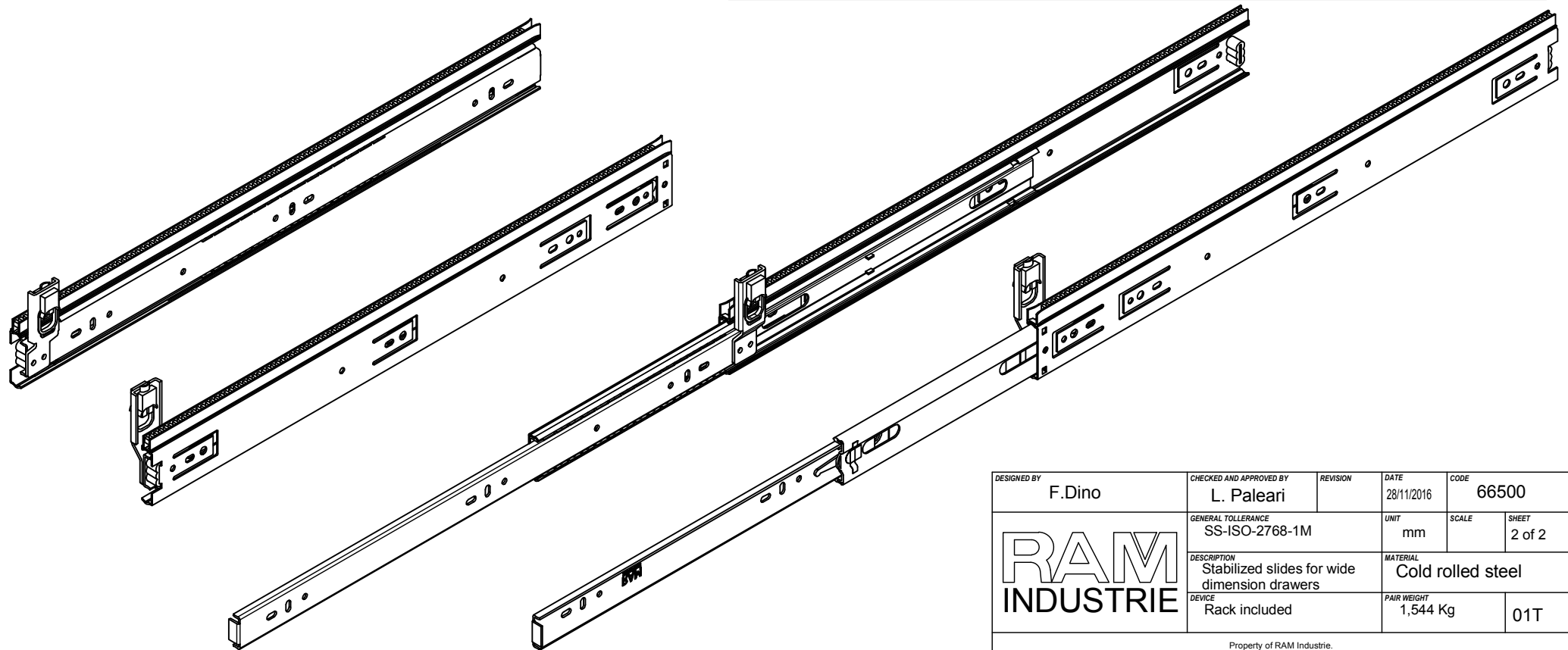
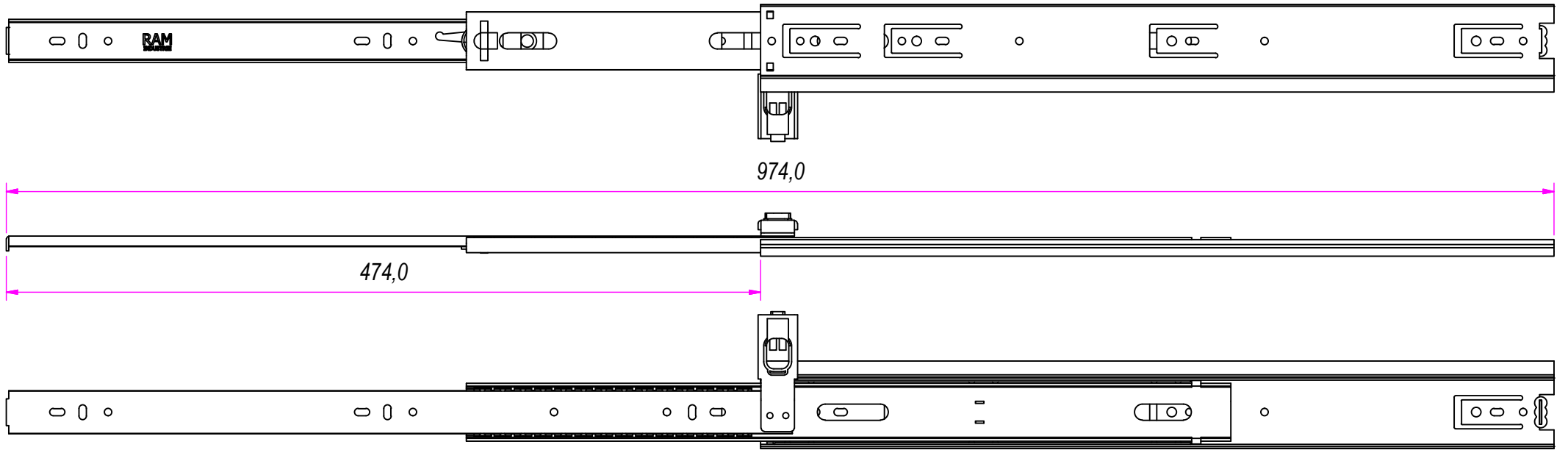


C (1:1)



DESIGNED BY F.Dino	CHECKED AND APPROVED BY L. Paleari	REVISION	DATE 28/11/2016	CODE 66500
GENERAL TOLLERANCE SS-ISO-2768-1M		UNIT mm	SCALE	SHEET 1 of 2
DESCRIPTION Stabilized slides for wide dimension drawers		MATERIAL Cold rolled steel		
DEVICE Rack included		PAIR WEIGHT 1,544 Kg	01T	

Property of RAM Industrie.
Without its written authorization the present drawing shall neither be used for construction anyway, communicated to third parties, nor reproduced.



DESIGNED BY F.Dino	CHECKED AND APPROVED BY L. Paleari	REVISION	DATE 28/11/2016	CODE 66500
GENERAL TOLERANCE SS-ISO-2768-1M			UNIT mm	SHEET 2 of 2
DESCRIPTION Stabilized slides for wide dimension drawers			MATERIAL Cold rolled steel	
DEVICE Rack included			PAIR WEIGHT 1,544 Kg	01T

Property of RAM Industrie.
Without its written authorization the present drawing shall neither be used for construction anyway, communicated to third parties, nor reproduced.