


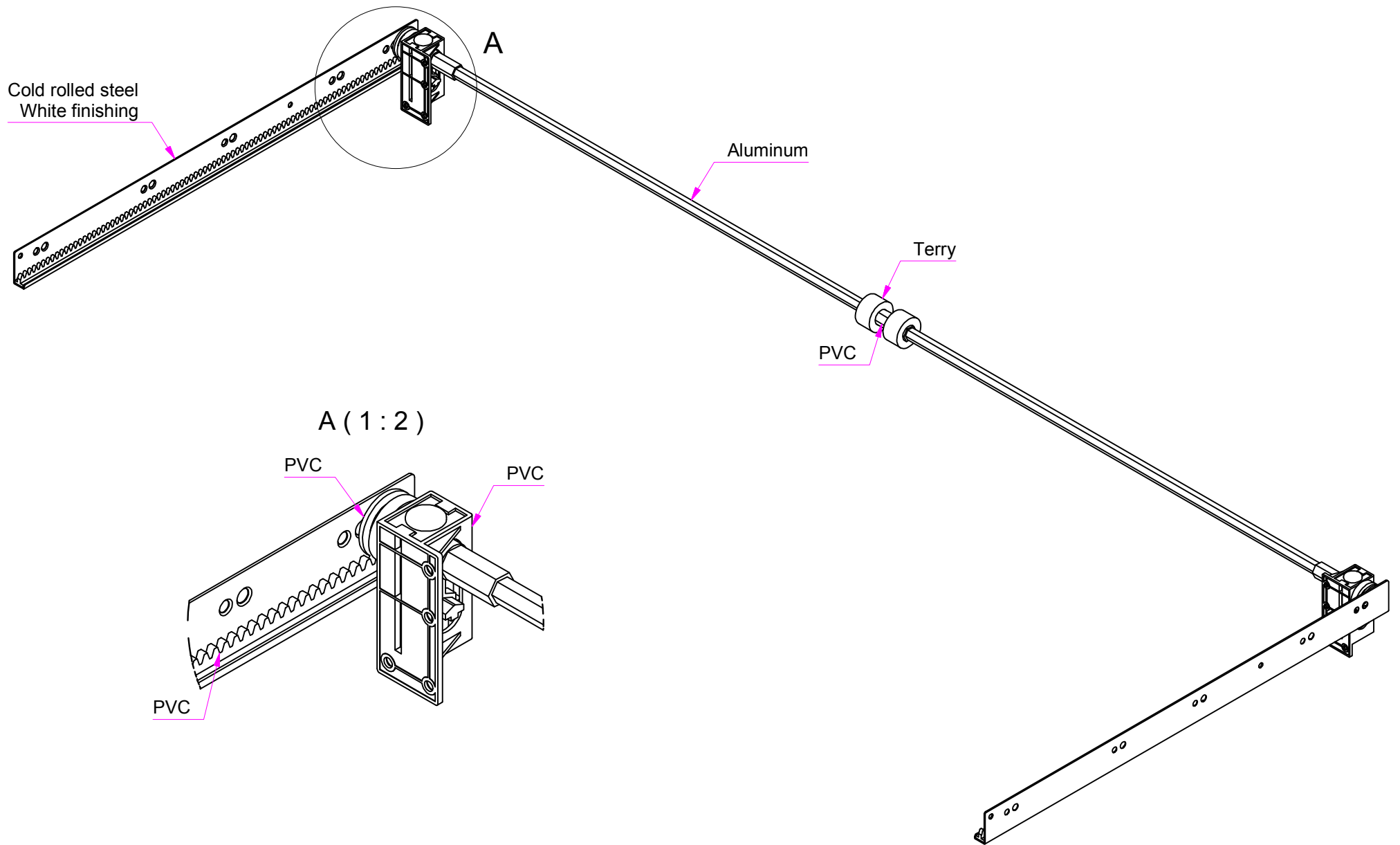
DESIGNED BY F. Dino	CHECKED AND APPROVED BY L. Paleari	GENERAL TOLERANCE SS-ISO-2768-1M	DATE 02/10/2017	CODE 70500	
			DESCRIPTION Universal stabilizer	UNIT mm	SHEET 1 of 2
			PACKAGING Carton with rack 20 sets/Packed R+L Carton with all other parts 20 sets	PAIR WEIGHT 0,56 Kg	13C


		REVISION HISTORY	
		REV	DESCRIPTION
Guide per cassetti; guide telescopiche	Coulisses à billes; coulisse télescopique		
Drawer slide; telescopic ball bearing slide	Guías para cajones; guía teleópica	1a	
Kugelführung; Teleskopschienen			

DATE  
02/10/2017

Without its written authorization the present drawing shall neither be used for construction anyway, communicated to third parties, nor reproduced.

Property of RAM Industrie.



DESIGNED BY F. Dino	CHECKED AND APPROVED BY L. Paleari	GENERAL TOLERANCE SS-ISO-2768-1M	DATE 02/10/2017	CODE 70500	
			DESCRIPTION Universal stabilizer	UNIT mm	SHEET 2 of 2
			PACKAGING Carton with rack 20 sets/Packed R+L Carton with all other parts 20 sets	DEVICE	PAIR WEIGHT 0,56 Kg

GUIDE per cassetti; guide telescopiche	Coulisses à billes; coulisse télescopique	REVISION HISTORY		
Drawer slide; telescopic ball bearing slide	Guías para cajones; guía telescópica	REV	DESCRIPTION	DATE
Kugelführung; Teleskopschienen		1a		02/10/2017

Property of RAM Industrie.  
Without its written authorization the present drawing shall neither be used for construction anyway, communicated to third parties, nor reproduced.