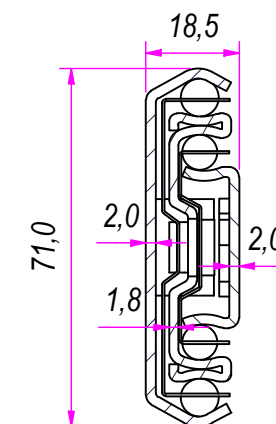


SEZ. A-A

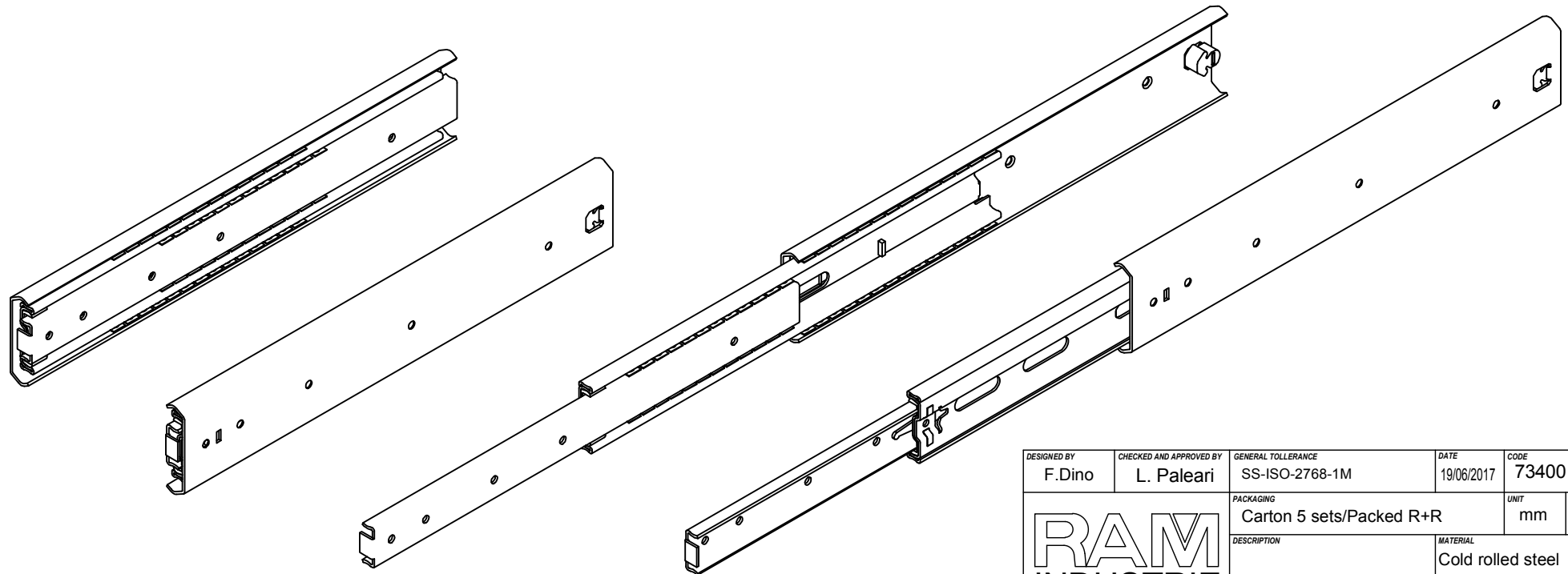
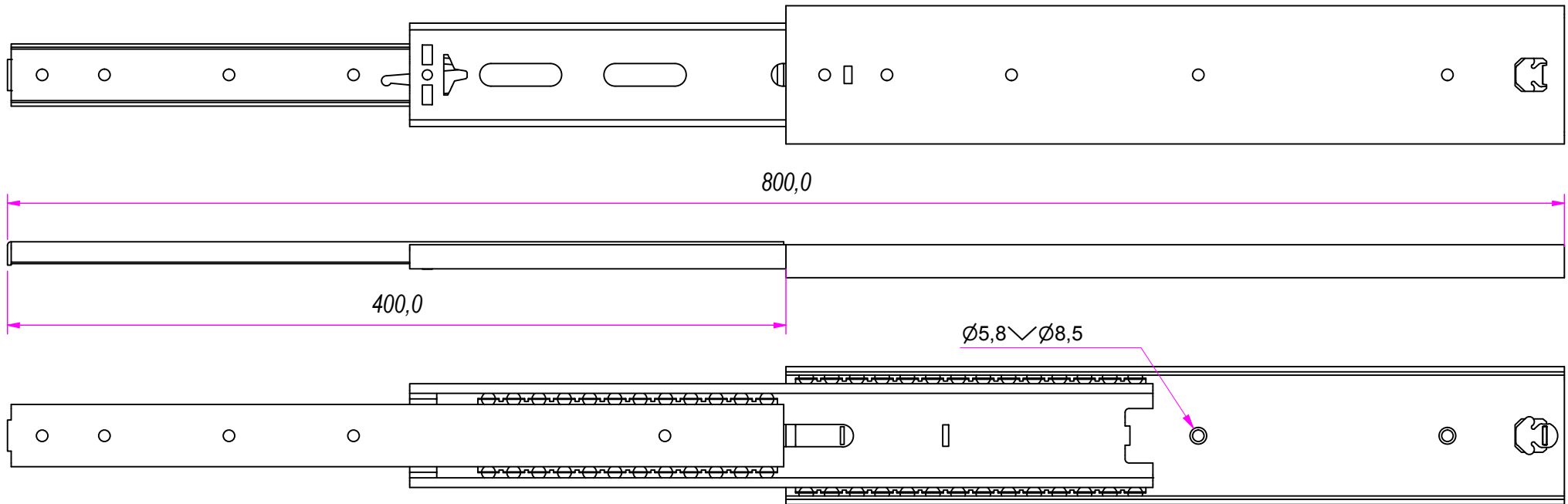


DESIGNED BY F. Dino	CHECKED AND APPROVED BY L. Paleari	GENERAL TOLERANCE SS-ISO-2768-1M	DATE 19/06/2017	CODE 73400
PACKAGING Carton 5 sets/Packed R+R			UNIT mm	SHEET 1 of 2
DESCRIPTION Cold rolled steel			MATERIAL	
DEVICE			PAIR WEIGHT 3,134 Kg	10C

**RAM**  
**INDUSTRIE**

REVISION HISTORY		REV	DESCRIPTION	DATE
Guide per cassetti; guide telescopiche	Coulisses à billes; coulisse télescopique	1a		19/06/2017
Drawer slide; telescopic ball bearing slide	Guías para cajones; guía teleópica			
Kugelführung; Teleskopschienen				

Property of RAM Industrie.  
Without its written authorization the present drawing shall neither be used for construction anyway, communicated to third parties, nor reproduced.



Guide per cassetti; guide telescopiche	Coulisses à billes; coulisse télescopique
Drawer slide; telescopic ball bearing slide	Guías para cajones; guía teleópica
Kugelführung; Teleskopschienen	

REVISION HISTORY	
REV	DESCRIPTION
1a	

DESIGNED BY F. Dino	CHECKED AND APPROVED BY L. Paleari	GENERAL TOLERANCE SS-ISO-2768-1M	DATE 19/06/2017	CODE 73400
PACKAGING Carton 5 sets/Packed R+R			UNIT mm	SHEET 2 of 2
DESCRIPTION <b>RAM</b> INDUSTRIE			MATERIAL Cold rolled steel	
DEVICE			PAIR WEIGHT 3,134 Kg	10C
Property of RAM Industrie. Without its written authorization the present drawing shall neither be used for construction anyway, communicated to third parties, nor reproduced.				

		DATE 19/06/2017
--	--	--------------------