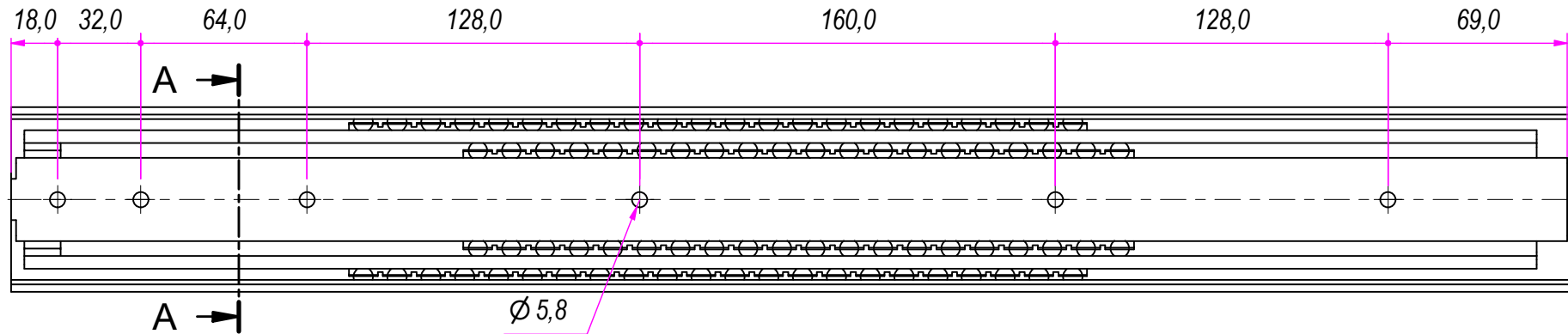
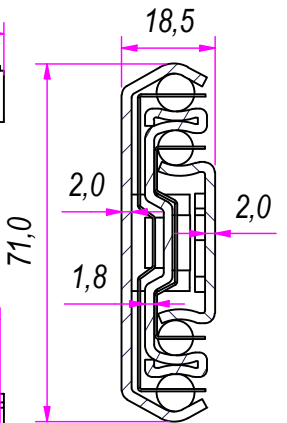


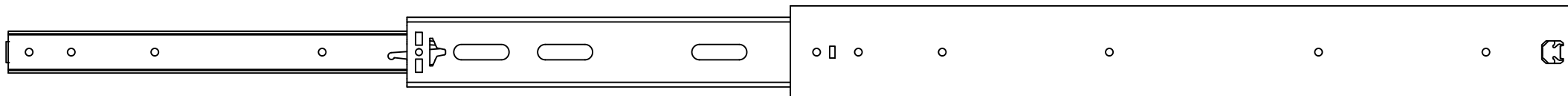
SEZ. A-A



DESIGNED BY F. Dino	CHECKED AND APPROVED BY L. Paleari	GENERAL TOLERANCE SS-ISO-2768-1M	DATE 19/06/2017	CODE 73600
PACKAGING Carton 5 sets/Packed R+R			UNIT mm	SHEET 1 of 2
DESCRIPTION RAM INDUSTRIE			MATERIAL Cold rolled steel	
DEVICE			PAIR WEIGHT 4,79 Kg	10C

REVISION HISTORY		REV	DESCRIPTION	DATE
Guide per cassetti; guide telescopiche	Coulisses à billes; coulisse télescopique			
Drawer slide; telescopic ball bearing slide	Guías para cajones; guía teleópica	1a		19/06/2017
Kugelführung; Teleskopschienen				

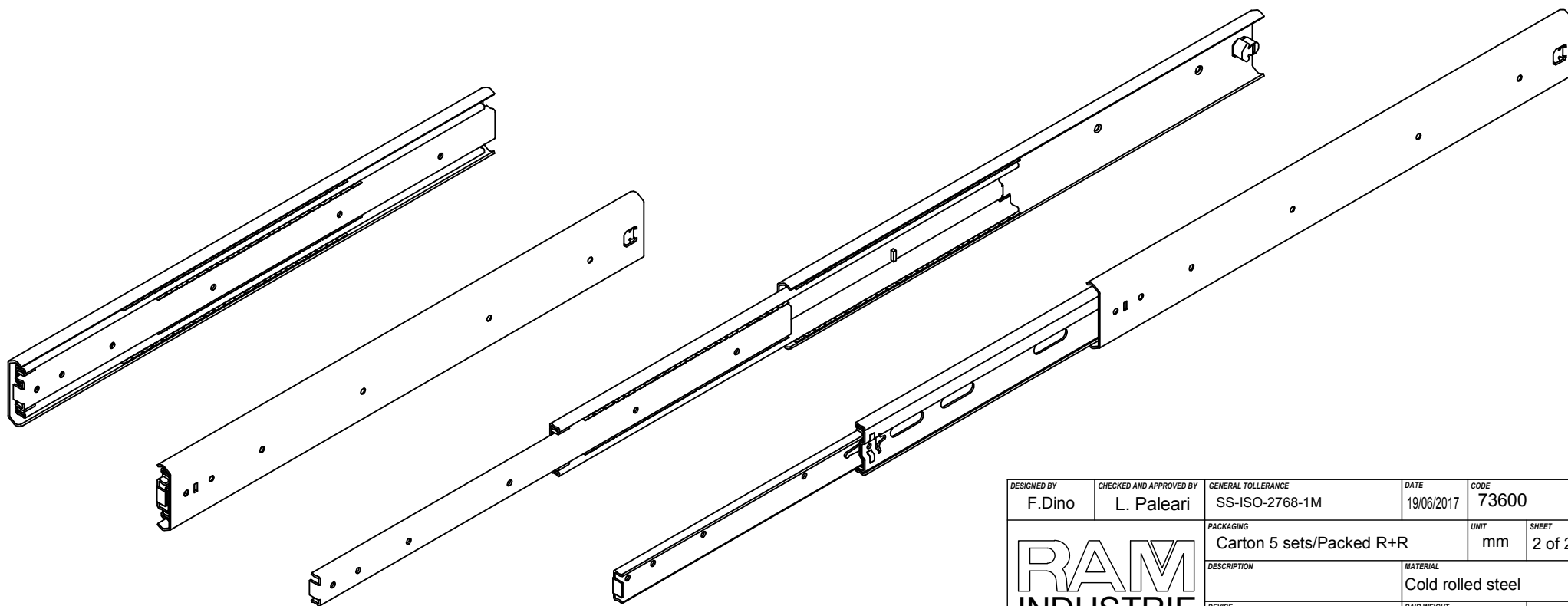
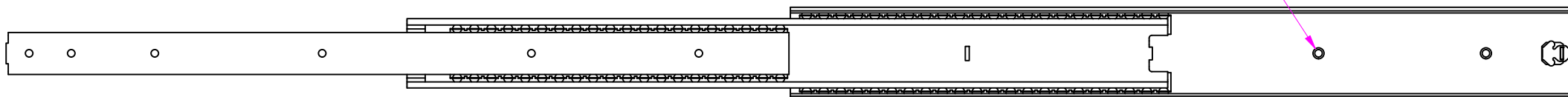
Property of RAM Industrie.
Without its written authorization the present drawing shall neither be used for construction anyway, communicated to third parties, nor reproduced.



1200,0

600,0

Ø5,8 \ Ø8,5



DESIGNED BY F. Dino	CHECKED AND APPROVED BY L. Paleari	GENERAL TOLERANCE SS-ISO-2768-1M	DATE 19/06/2017	CODE 73600
PACKAGING Carton 5 sets/Packed R+R			UNIT mm	SHEET 2 of 2
DESCRIPTION Cold rolled steel			MATERIAL	
DEVICE			PAIR WEIGHT 4,79 Kg	10C

RAM
INDUSTRIE

GUIDE per cassetti; guide telescopiche		Coulisses à billes; coulisse télescopique		REVISION HISTORY	
Drawer slide; telescopic ball bearing slide		Guías para cajones; guía teleópica		REV	DESCRIPTION
Kugelführung; Teleskopschienen				DATE	
				1a	19/06/2017

Property of RAM Industrie.
Without its written authorization the present drawing shall neither be used for construction anyway, communicated to third parties, nor reproduced.