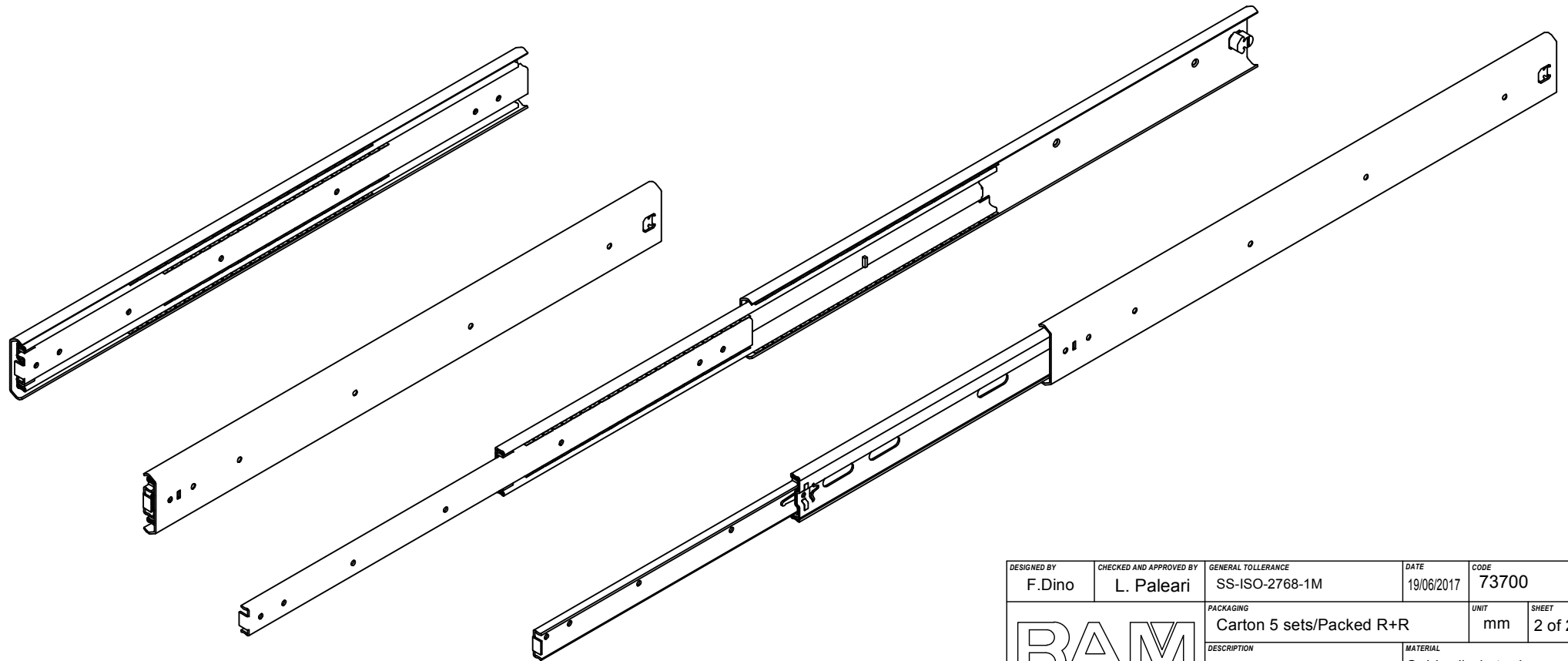
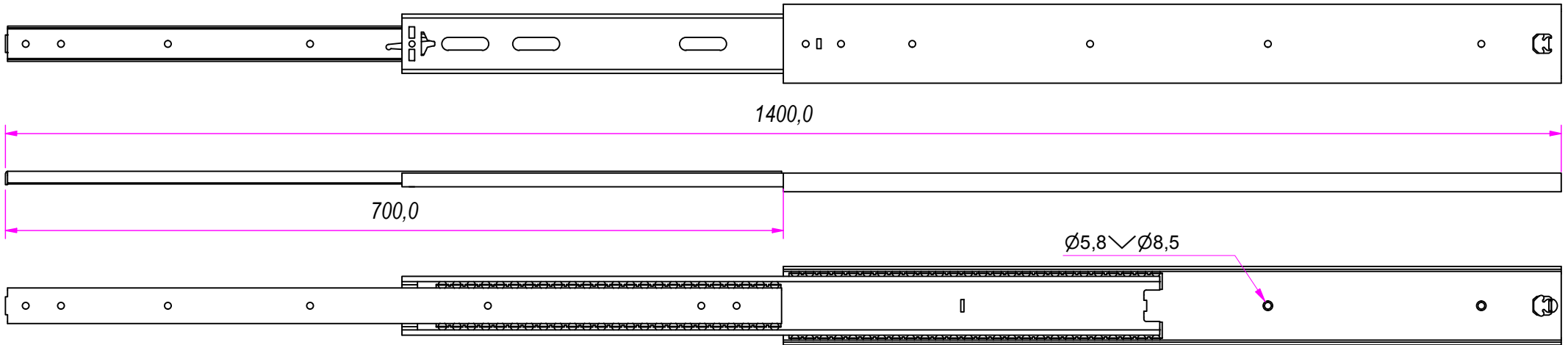


DESIGNED BY F. Dino	CHECKED AND APPROVED BY L. Paleari	GENERAL TOLERANCE SS-ISO-2768-1M	DATE 19/06/2017	CODE 73700
PACKAGING Carton 5 sets/Packed R+R			UNIT mm	SHEET 1 of 2
			MATERIAL Cold rolled steel	
			PAIR WEIGHT 5,65 Kg	10C

REVISION HISTORY			
REV	DESCRIPTION	DATE	
1a	Modified holes distance inner member (20-97)	30/12/2020	
2a	Added hole (20-97)	30/12/2020	

Property of RAM Industrie.  
Without its written authorization the present drawing shall neither be used for construction anyway, communicated to third parties, nor reproduced.



DESIGNED BY F. Dino	CHECKED AND APPROVED BY L. Paleari	GENERAL TOLERANCE SS-ISO-2768-1M	DATE 19/06/2017	CODE 73700
PACKAGING Carton 5 sets/Packed R+R			UNIT mm	SHEET 2 of 2
DESCRIPTION RAM INDUSTRIE			MATERIAL Cold rolled steel	
DEVICE			PAIR WEIGHT 5,65 Kg	10C

REVISION HISTORY		
REV	DESCRIPTION	DATE
1a	Modified holes distance inner member (20-97)	30/12/2020
2a	Added hole (20-97)	30/12/2020

Guide per cassetti; guide telescopiche	Coulisses à billes; coulisse télescopique
Drawer slide; telescopic ball bearing slide	Guías para cajones; guía teleópica
Kugelführung; Teleskopschienen	

Property of RAM Industrie.  
Without its written authorization the present drawing shall neither be used for construction anyway, communicated to third parties, nor reproduced.