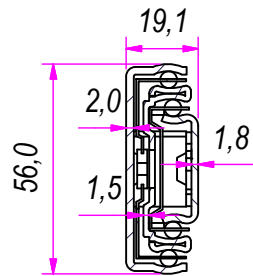
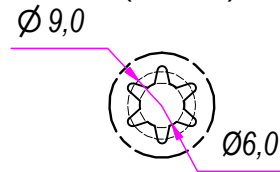


SEZ. A-A



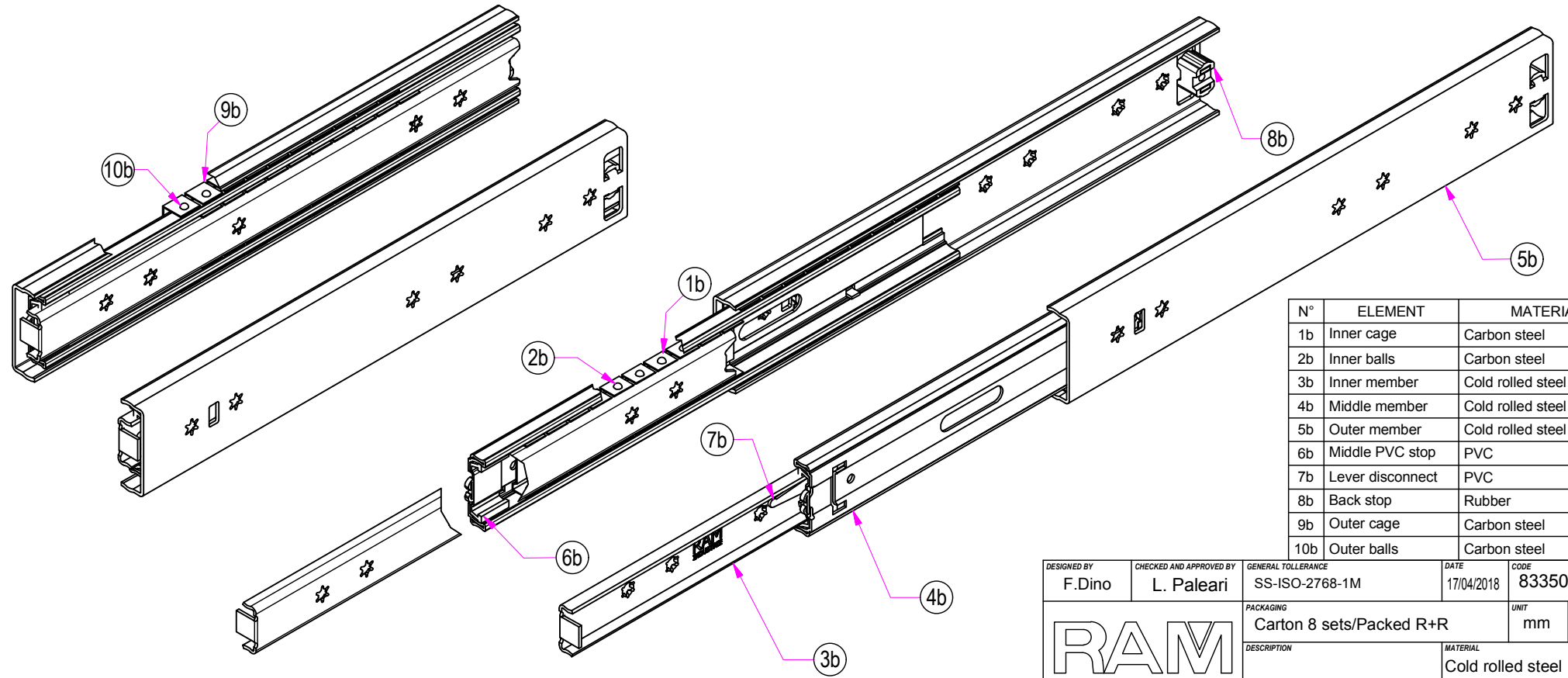
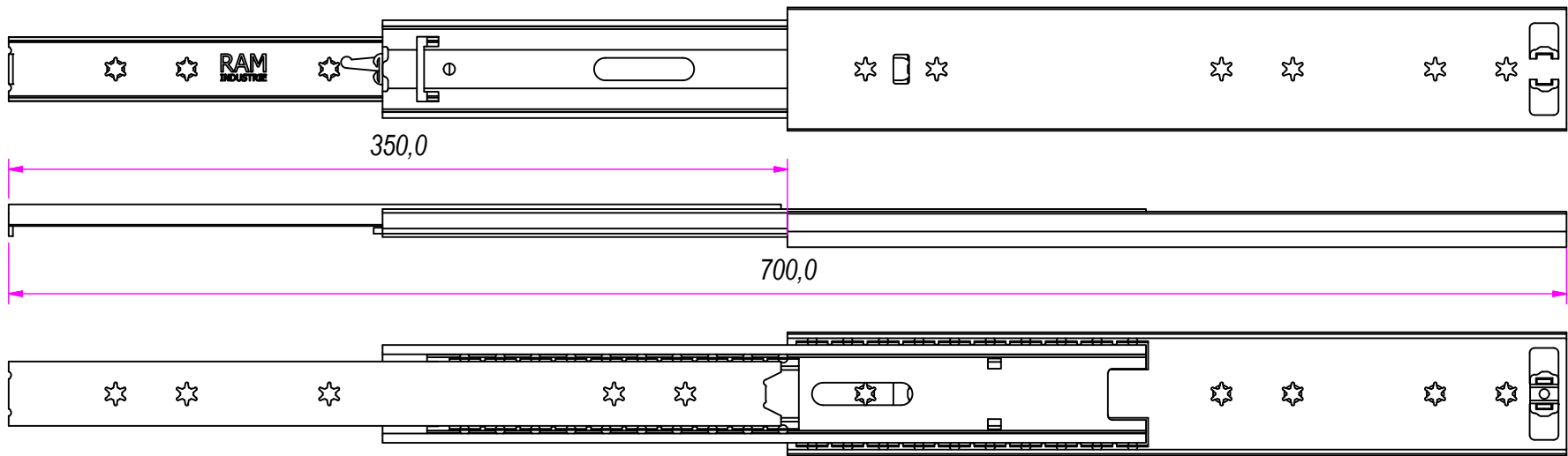
B (1:1)



DESIGNED BY F. Dino	CHECKED AND APPROVED BY L. Paleari	GENERAL TOLERANCE SS-ISO-2768-1M	DATE 17/04/2018	CODE 83350
PACKAGING Carton 8 sets/Packed R+R			UNIT mm	SHEET 1 of 2
DESCRIPTION RAM INDUSTRIE			MATERIAL Cold rolled steel	
DEVICE			PAIR WEIGHT 2,044 Kg	01T

		REVISION HISTORY	
REV	DESCRIPTION	DATE	
1a		17/04/2018	

Property of RAM Industrie.
Without its written authorization the present drawing shall neither be used for construction anyway, communicated to third parties, nor reproduced.



N°	ELEMENT	MATERIAL
1b	Inner cage	Carbon steel
2b	Inner balls	Carbon steel
3b	Inner member	Cold rolled steel
4b	Middle member	Cold rolled steel
5b	Outer member	Cold rolled steel
6b	Middle PVC stop	PVC
7b	Lever disconnect	PVC
8b	Back stop	Rubber
9b	Outer cage	Carbon steel
10b	Outer balls	Carbon steel

DESIGNED BY F. Dino	CHECKED AND APPROVED BY L. Paleari	GENERAL TOLLERANCE SS-ISO-2768-1M	DATE 17/04/2018	CODE 83350
PACKAGING Carton 8 sets/Packed R+R		UNIT mm	SHEET 2 of 2	
DESCRIPTION RAM INDUSTRIE			MATERIAL Cold rolled steel	
DEVICE		PAIR WEIGHT 2,044 Kg	01T	

REVISION HISTORY	DESCRIPTION	DATE
REV 1a		17/04/2018

Guide per cassetti; guide telescopiche
 Drawer slide; telescopic ball bearing slide
 Kugelführung; Teleskopschienen

Coulisses à billes; coulisse télescopique
 Guías para cajones; guía teleópica

Property of RAM Industrie.
 Without its written authorization the present drawing shall neither be used for construction anyway, communicated to third parties, nor reproduced.