
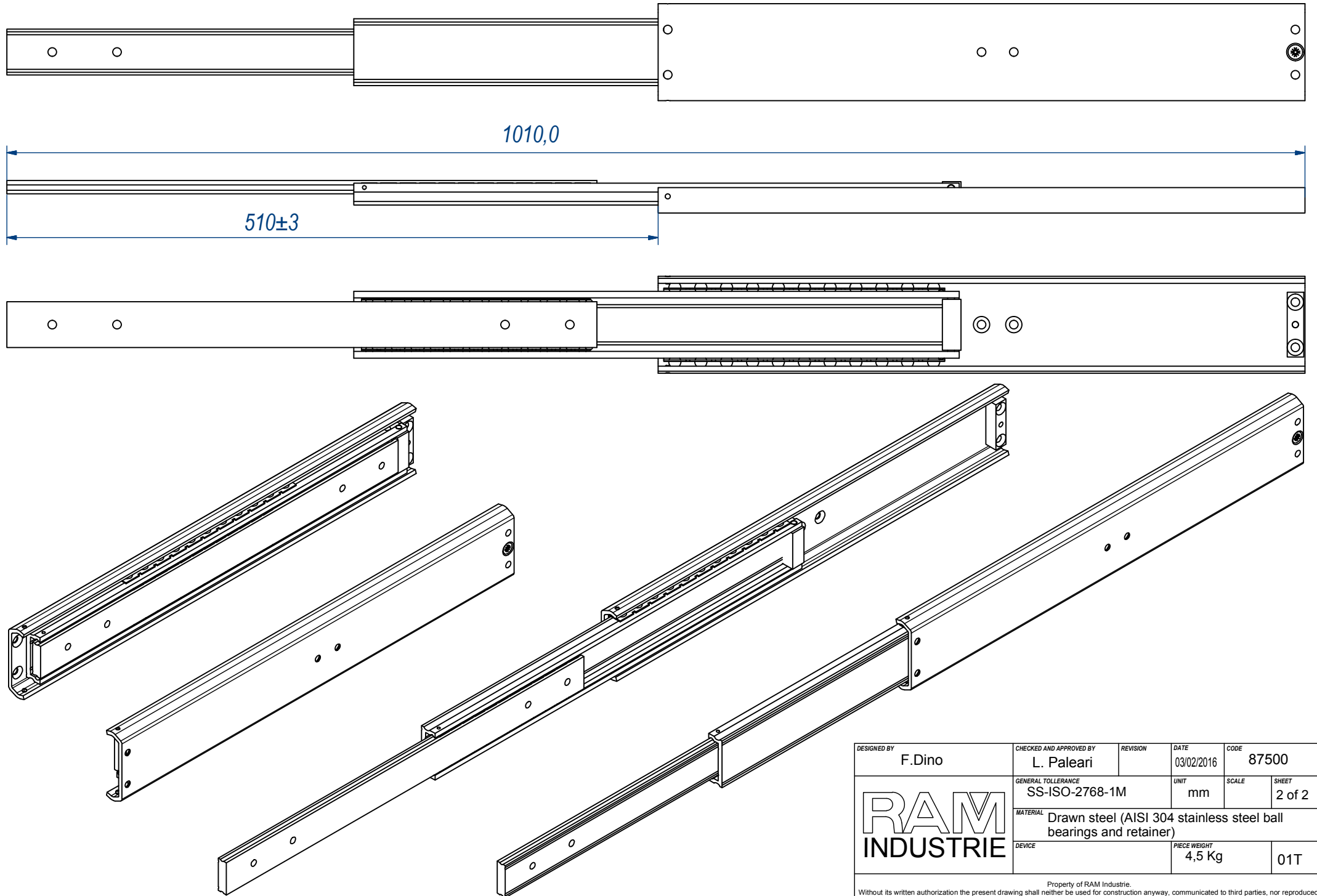


DESIGNED BY F.Dino	CHECKED AND APPROVED BY L. Paleari	REVISION	DATE 03/02/2016	CODE 87500
		GENERAL TOLLERANCE SS-ISO-2768-1M	UNIT mm	SCALE 1 of 2
		MATERIAL Drawn steel (AISI 304 stainless steel ball bearings and retainer)		
DEVICE			PIECE WEIGHT 4,5 Kg	01T
<small>Property of RAM Industrie. Without its written authorization the present drawing shall neither be used for construction anyway, communicated to third parties, nor reproduced.</small>				



DESIGNED BY F.Dino	CHECKED AND APPROVED BY L. Paleari	REVISION	DATE 03/02/2016	CODE 87500
GENERAL TOLERANCE SS-ISO-2768-1M		UNIT mm	SCALE	SHEET 2 of 2
MATERIAL Drawn steel (AISI 304 stainless steel ball bearings and retainer)			PIECE WEIGHT 4,5 Kg	01T

**RAM**  
**INDUSTRIE**

Property of RAM Industrie.  
Without its written authorization the present drawing shall neither be used for construction anyway, communicated to third parties, nor reproduced.