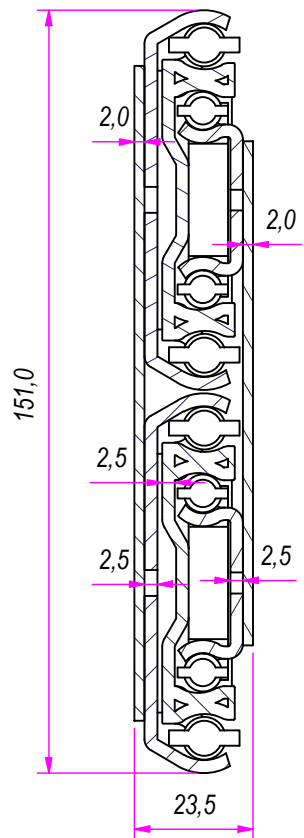
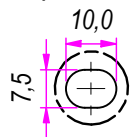


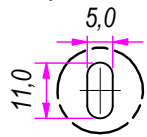
SEZ. A-A



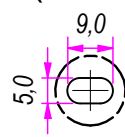
B (1 : 1.5)



C (1 : 1.5)



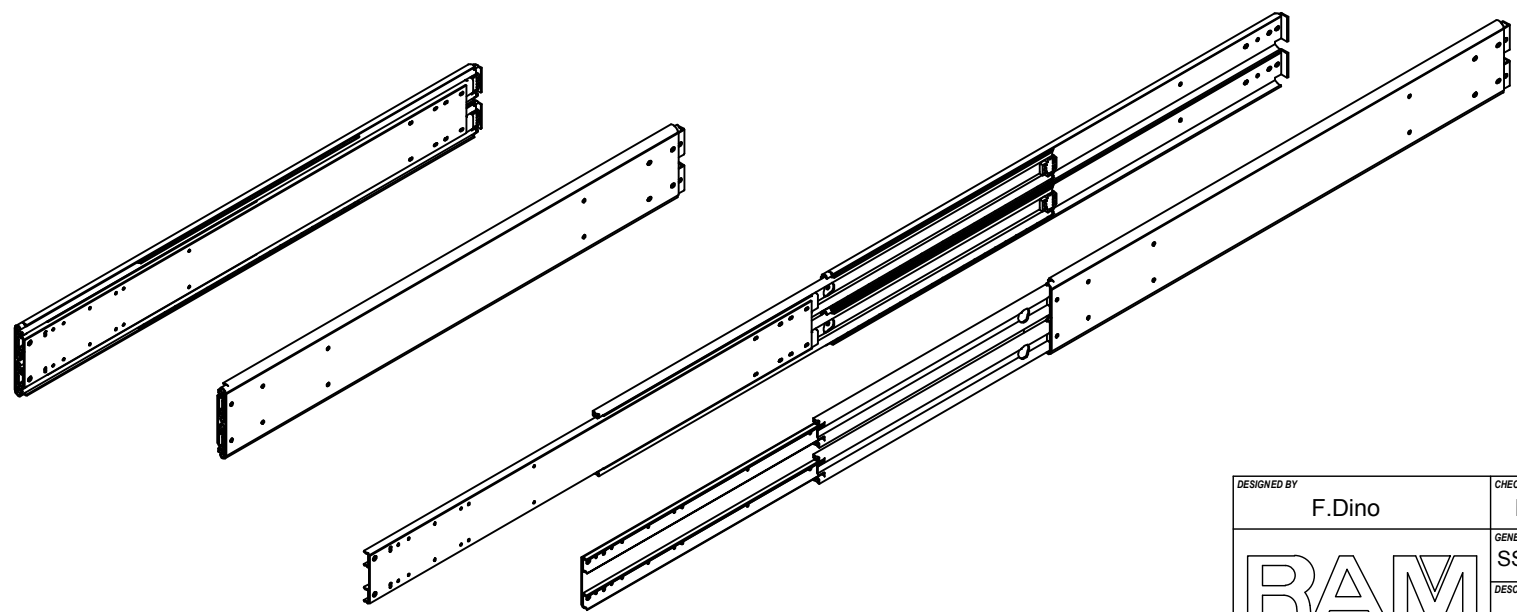
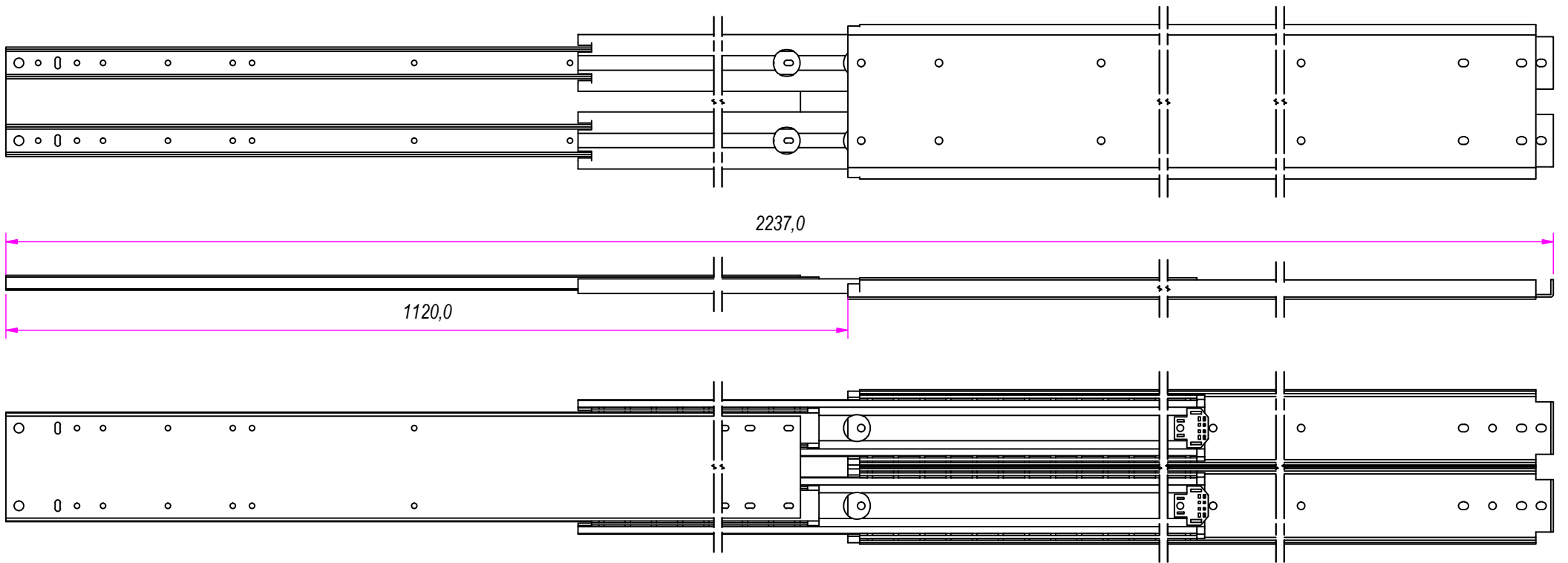
D (1 : 1.5)



| REVISION HISTORY |             |             |            |
|------------------|-------------|-------------|------------|
| REV              | DESCRIPTION | APPROVED BY | DATE       |
| 1                |             | F.Dino      | 24/01/2017 |

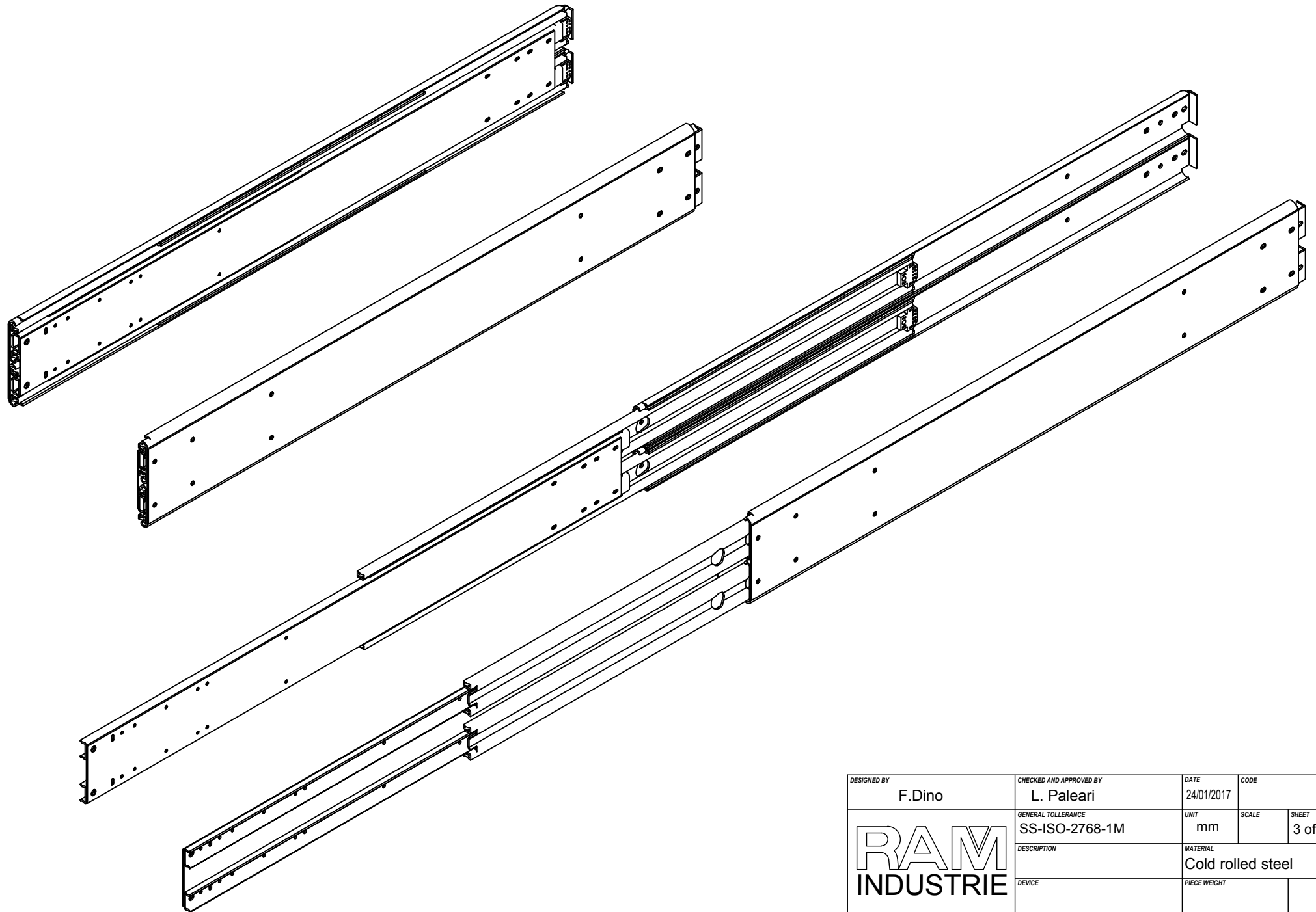
|                              |  |                                      |                 |
|------------------------------|--|--------------------------------------|-----------------|
| DESIGNED BY<br><b>F.Dino</b> | CHECKED AND APPROVED BY<br><b>L. Paleari</b> | DATE<br>24/01/2017                   | CODE<br>881100  |
|                              |  | GENERAL TOLLERANCE<br>SS-ISO-2768-1M | UNIT<br>mm      |
|                              |  | SCALE<br>1 of 3                      | SHEET<br>1 of 3 |
| DESCRIPTION                  |  | MATERIAL<br>Cold rolled steel        |                 |
| DEVICE                       |  | PIECE WEIGHT<br>14,9 Kg              |                 |


Property of RAM Industrie.  
Without its written authorization the present drawing shall neither be used for construction anyway, communicated to third parties, nor reproduced.



| REVISION HISTORY |             |             |            |
|------------------|-------------|-------------|------------|
| REV              | DESCRIPTION | APPROVED BY | DATE       |
| 1                |             | F.Dino      | 24/01/2017 |

|   |                                       |                                      |                               |
|---|---------------------------------------|--------------------------------------|-------------------------------|
| DESIGNED BY<br>F.Dino   | CHECKED AND APPROVED BY<br>L. Paleari | DATE<br>24/01/2017                   | CODE<br>881100                |
|   |                                       | GENERAL TOLLERANCE<br>SS-ISO-2768-1M | UNIT<br>mm                    |
|   |                                       | DESCRIPTION                          | MATERIAL<br>Cold rolled steel |
| DEVICE  |                                       | PIECE WEIGHT<br>14,9 Kg              | SHEET<br>2 of 3               |
| Property of RAM Industrie.<br>Without its written authorization the present drawing shall neither be used for construction anyway, communicated to third parties, nor reproduced. |                                       |                                      |                               |



|   |                                       |                               |       |                 |
|---|---------------------------------------|-------------------------------|-------|-----------------|
| DESIGNED BY<br>F.Dino   | CHECKED AND APPROVED BY<br>L. Paleari | DATE<br>24/01/2017            | CODE  |                 |
|  | GENERAL TOLLERANCE<br>SS-ISO-2768-1M  | UNIT<br>mm                    | SCALE | SHEET<br>3 of 3 |
|   | DESCRIPTION                           | MATERIAL<br>Cold rolled steel |       |                 |
|   | DEVICE                                | PIECE WEIGHT                  |       |                 |

Property of RAM Industrie.  
Without its written authorization the present drawing shall neither be used for construction anyway, communicated to third parties, nor reproduced.