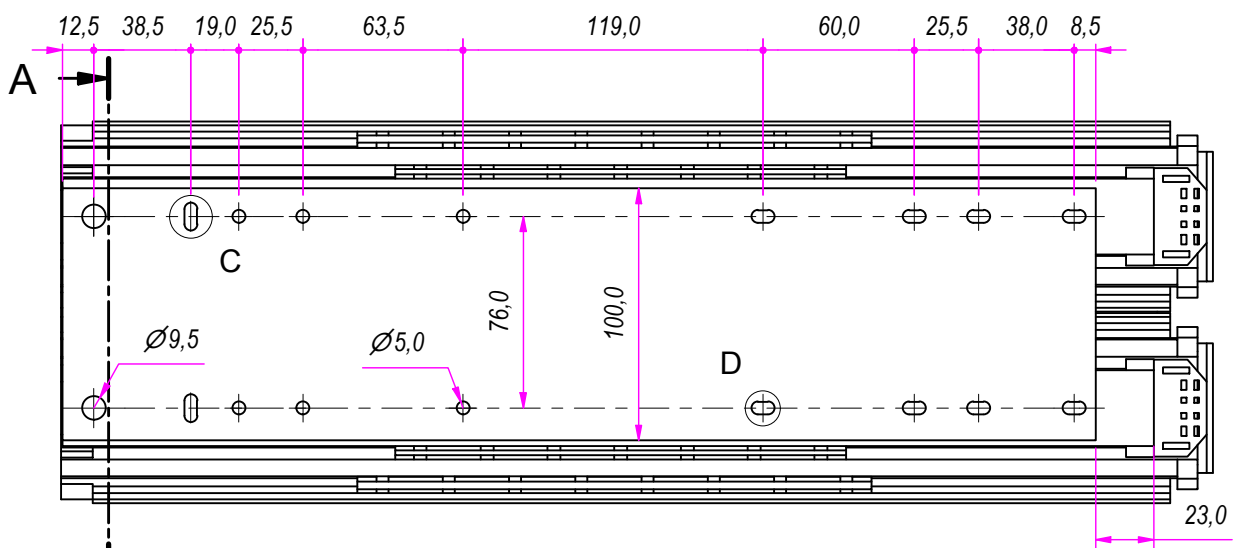
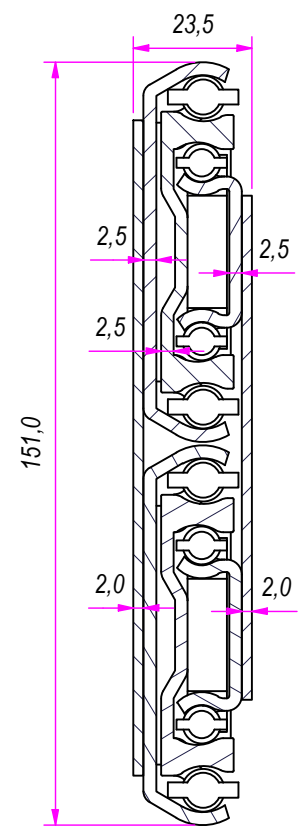
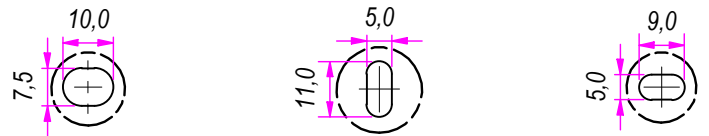


SEZ. A-A

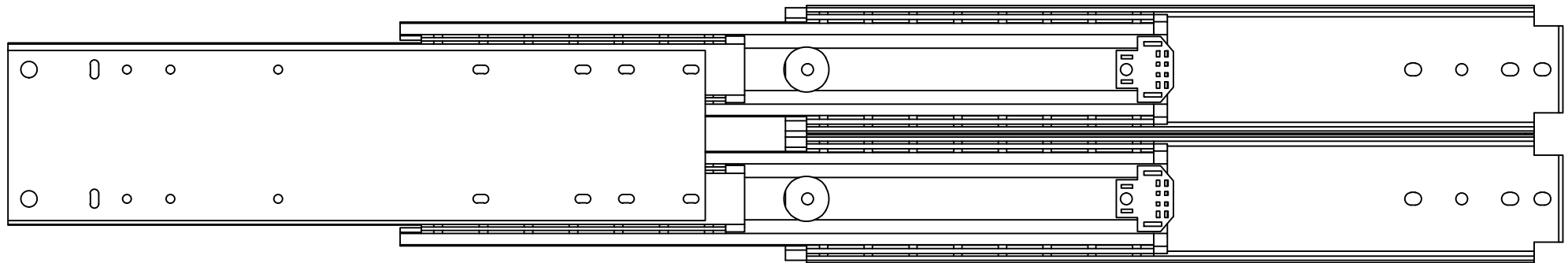
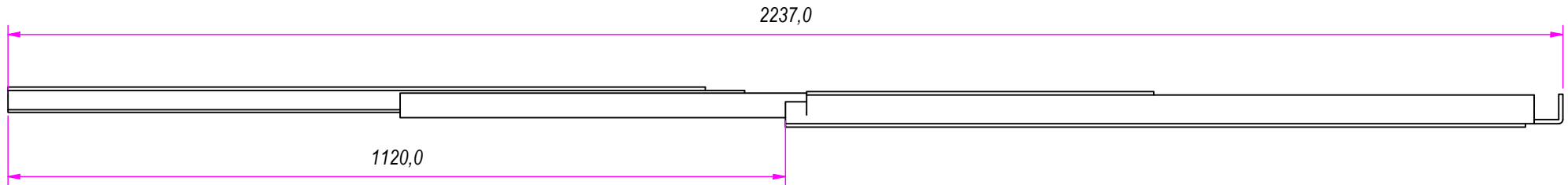
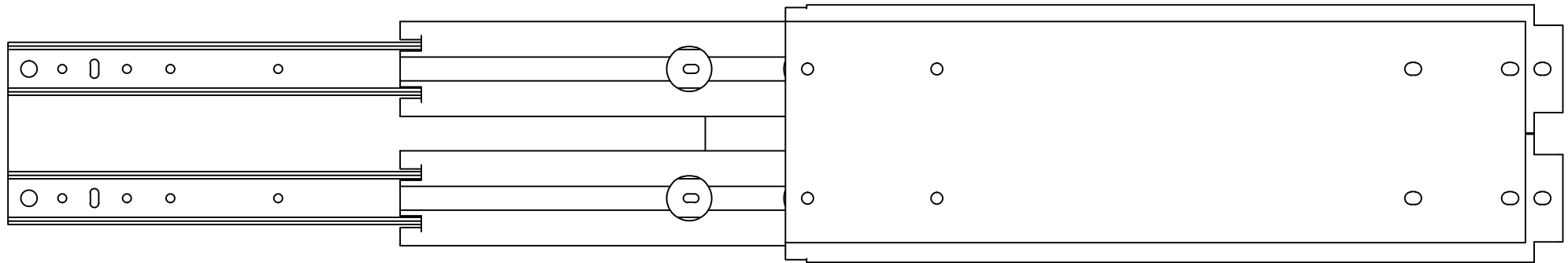


B (1:1.5)      C (1:1.5)      D (1:1.5)




DESIGNED BY <b>F.Dino</b>	CHECKED AND APPROVED BY <b>L. Paleari</b>	DATE 24/01/2017	CODE <b>88450</b>	
		GENERAL TOLLERANCE SS-ISO-2768-1M	UNIT mm	SCALE 1 of 3
		DESCRIPTION	MATERIAL Cold rolled steel	
DEVICE		PIECE WEIGHT 14,9 Kg		
Property of RAM Industrie.				
Without its written authorization the present drawing shall neither be used for construction anyway, communicated to third parties, nor reproduced.				

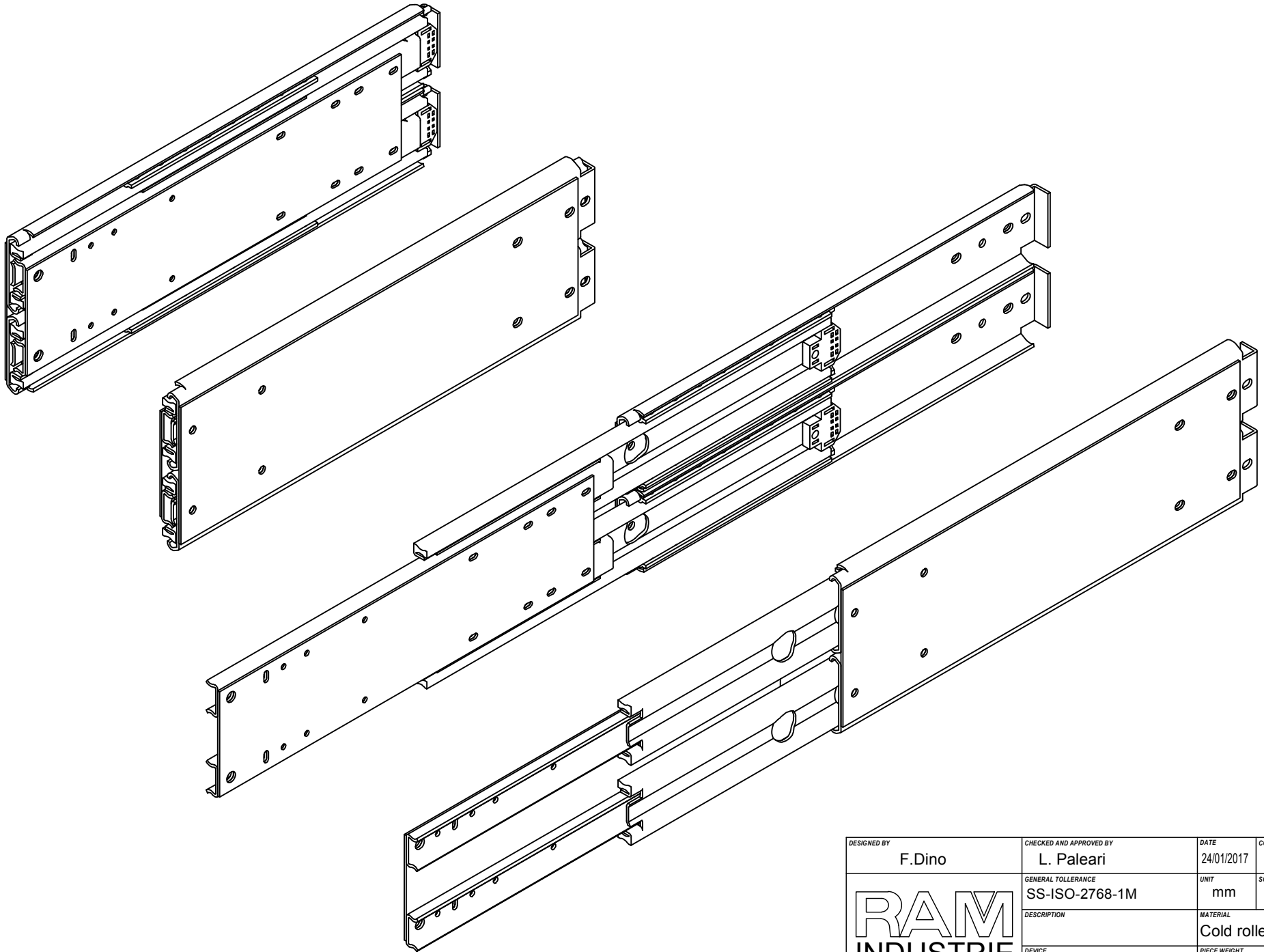
REVISION HISTORY			
REV	DESCRIPTION	APPROVED BY	DATE
1		F.Dino	24/01/2017




REVISION HISTORY			
REV	DESCRIPTION	APPROVED BY	DATE
1		F.Dino	24/01/2017

DESIGNED BY <b>F.Dino</b>	CHECKED AND APPROVED BY <b>L. Paleari</b>	DATE 24/01/2017	CODE <b>88450</b>
		GENERAL TOLLERANCE <b>SS-ISO-2768-1M</b>	UNIT <b>mm</b>
		DESCRIPTION	MATERIAL <b>Cold rolled steel</b>
DEVICE		PIECE WEIGHT <b>14,9 Kg</b>	

Property of RAM Industrie.  
Without its written authorization the present drawing shall neither be used for construction anyway, communicated to third parties, nor reproduced.



DESIGNED BY F.Dino	CHECKED AND APPROVED BY L. Paleari	DATE 24/01/2017	CODE 88450
	GENERAL TOLLERANCE SS-ISO-2768-1M	UNIT mm	SCALE SHEET 3 of 3
	DESCRIPTION	MATERIAL Cold rolled steel	
	DEVICE	PIECE WEIGHT	

Property of RAM Industrie.  
Without its written authorization the present drawing shall neither be used for construction anyway, communicated to third parties, nor reproduced.