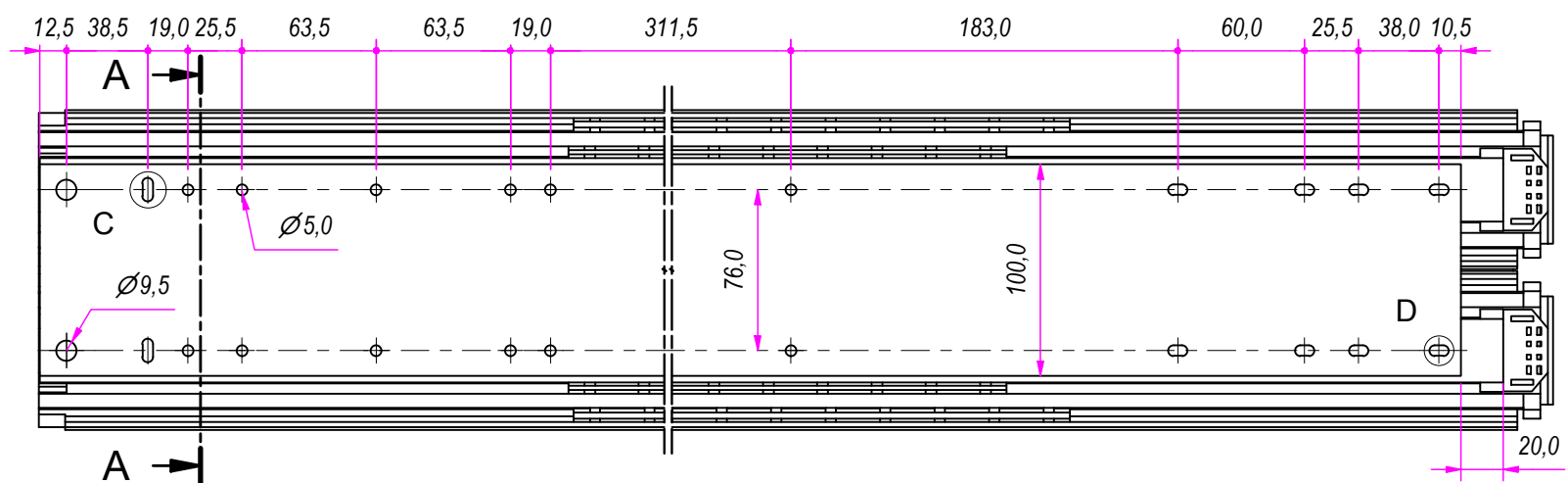
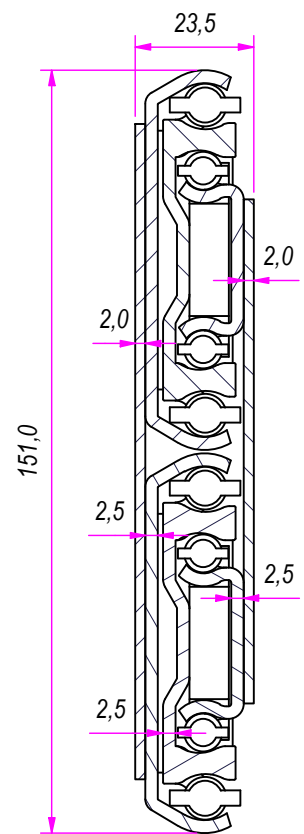
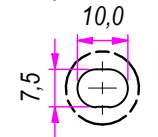


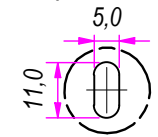
SEZ. A-A



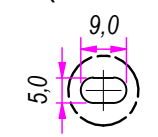
B (1 : 1.5)



C (1 : 1.5)



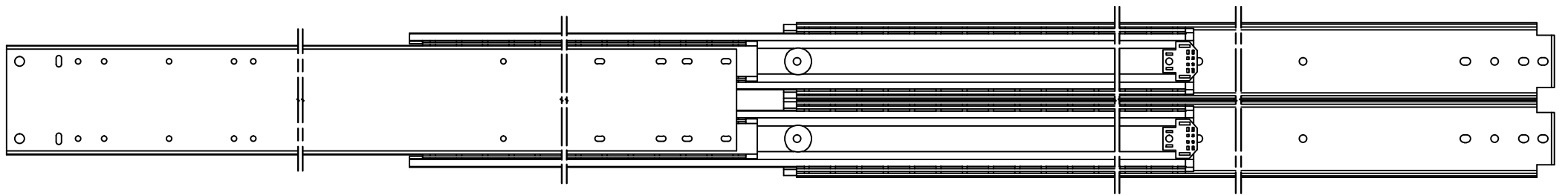
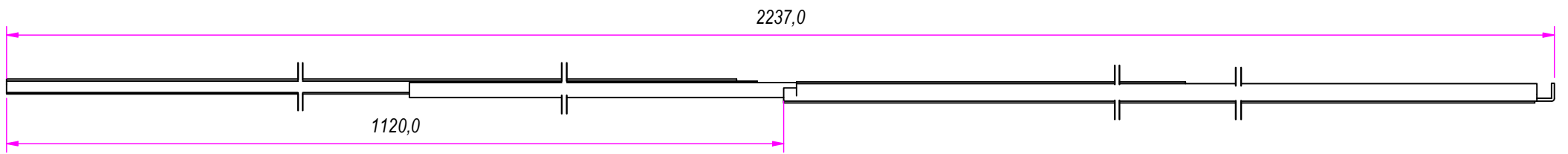
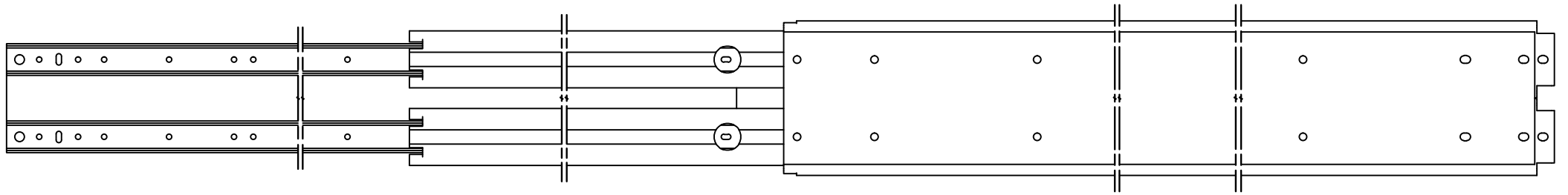
D (1 : 1.5)



REVISION HISTORY			
REV	DESCRIPTION	APPROVED BY	DATE
1		F.Dino	24/01/2017

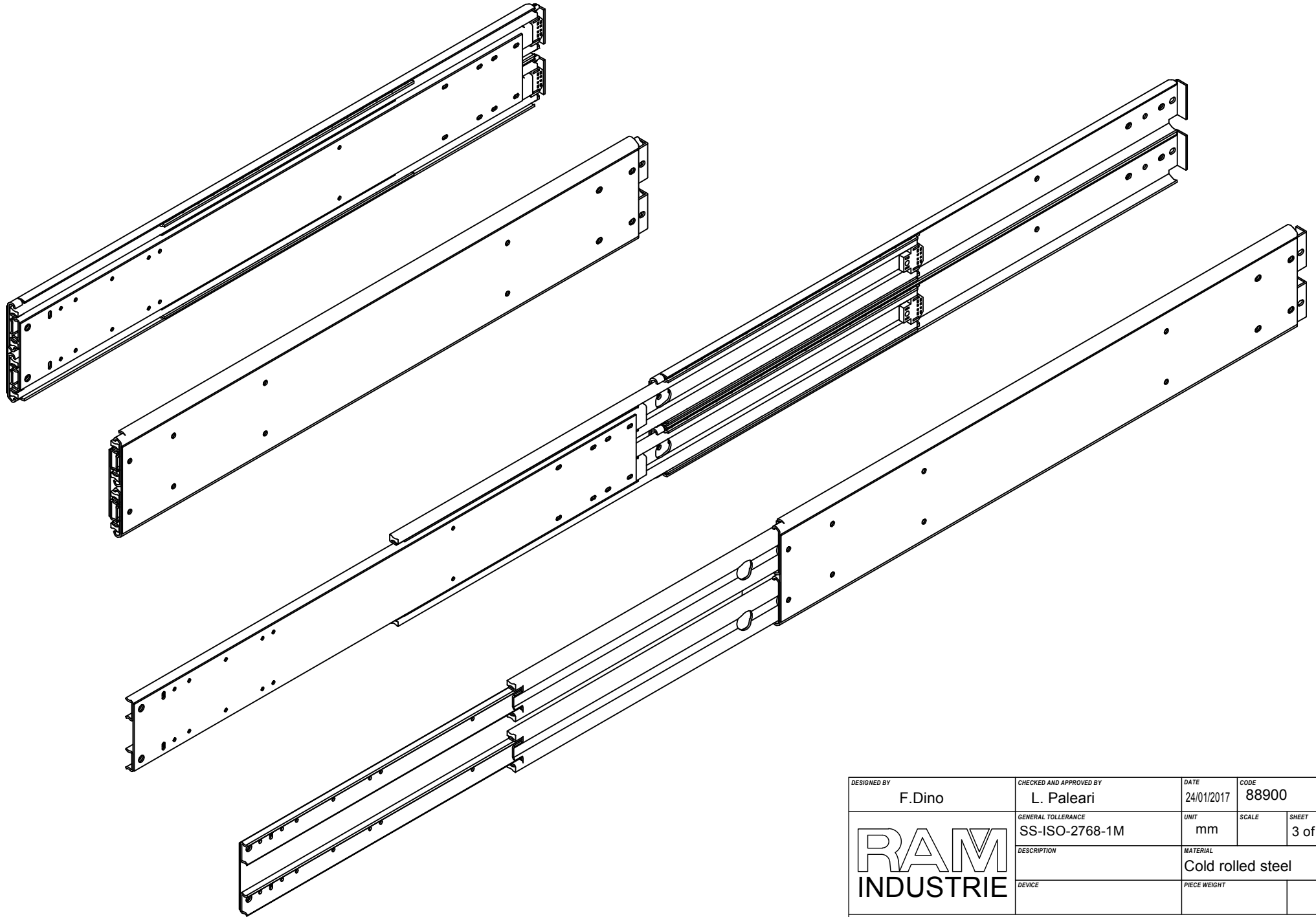
DESIGNED BY F.Dino	CHECKED AND APPROVED BY L. Paleari	DATE 24/01/2017	CODE 88900
		GENERAL TOLLERANCE SS-ISO-2768-1M	UNIT mm
		SCALE 1 of 3	SHEET 1 of 3
DESCRIPTION		MATERIAL Cold rolled steel	
DEVICE		PIECE WEIGHT 14,9 Kg	


Property of RAM Industrie.
Without its written authorization the present drawing shall neither be used for construction anyway, communicated to third parties, nor reproduced.



REVISION HISTORY			
REV	DESCRIPTION	APPROVED BY	DATE
1		F.Dino	24/01/2017

DESIGNED BY F.Dino	CHECKED AND APPROVED BY L. Paleari	DATE 24/01/2017	CODE 88900
	GENERAL TOLLERANCE SS-ISO-2768-1M	UNIT mm	SCALE SHEET 2 of 3
	DESCRIPTION	MATERIAL Cold rolled steel	
	DEVICE	PIECE WEIGHT 14,9 Kg	
Property of RAM Industrie.			
Without its written authorization the present drawing shall neither be used for construction anyway, communicated to third parties, nor reproduced.			



DESIGNED BY F.Dino	CHECKED AND APPROVED BY L. Paleari	DATE 24/01/2017	CODE 88900
	GENERAL TOLLERANCE SS-ISO-2768-1M	UNIT mm	SCALE 3 of 3
	DESCRIPTION	MATERIAL Cold rolled steel	
	DEVICE	PIECE WEIGHT	

Property of RAM Industrie.
Without its written authorization the present drawing shall neither be used for construction anyway, communicated to third parties, nor reproduced.