
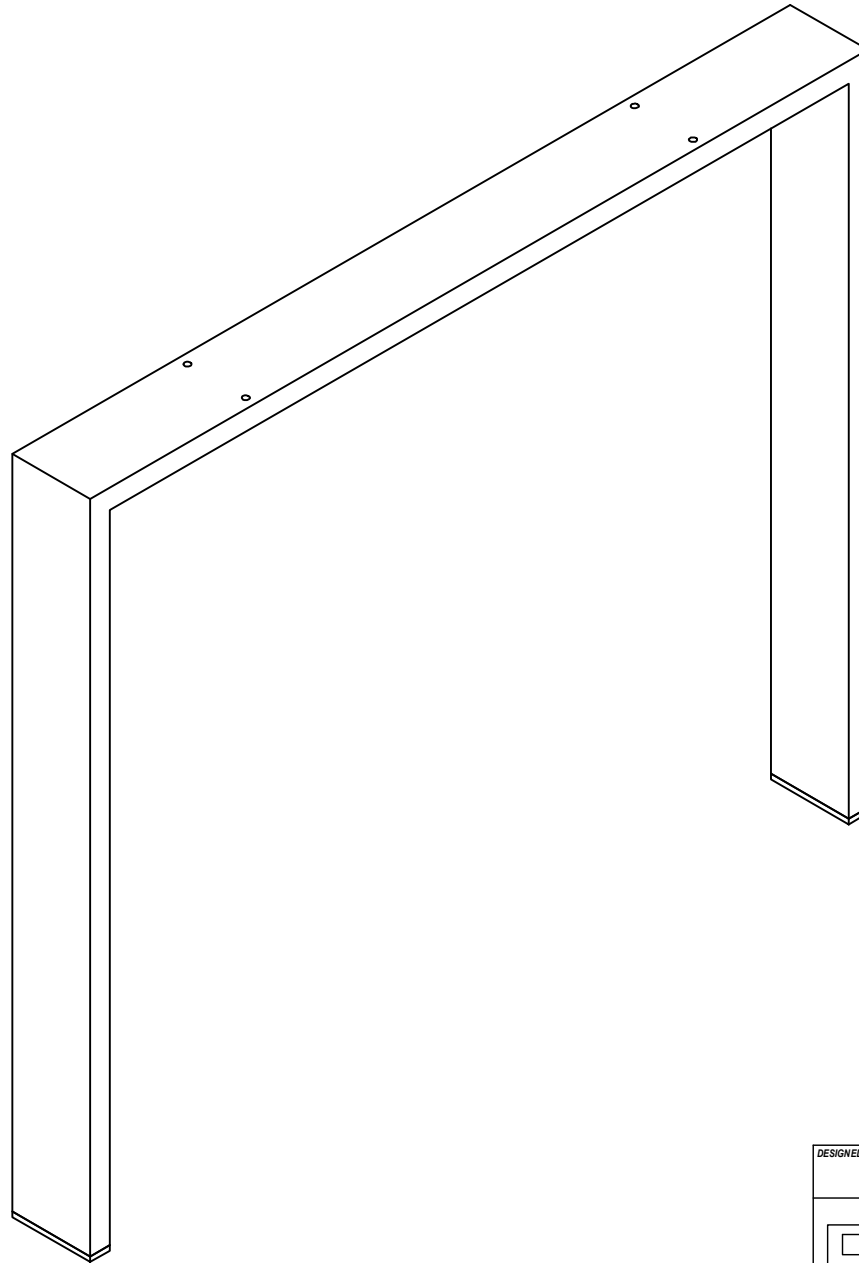



DESIGNED BY F.Dino	CHECKED AND APPROVED BY L. Paleari	REVISION	DATE 03/12/2018	CODE 90SU120_121
	GENERAL TOLLERANCE SS-ISO-2768-1M	UNIT mm	SCALE	SHEET 1 of 2
	DESCRIPTION Black finishing (90SU120)	MATERIAL Steel		
	White finishing (90SU121)	PIECE WEIGHT 4,5 Kg		
<small>Property of RAM Industrie. Without its written authorization the present drawing shall neither be used for construction anyway, communicated to third parties, nor reproduced.</small>				



DESIGNED BY F.Dino	CHECKED AND APPROVED BY L. Paleari	REVISION	DATE 03/12/2018	CODE 90SU120_121
	GENERAL TOLLERANCE SS-ISO-2768-1M	UNIT mm	SCALE	SHEET 2 of 2
	DESCRIPTION Black finishing (90SU120)	MATERIAL Steel		
	White finishing (90SU121)	PIECE WEIGHT 4,5 Kg		

Property of RAM Industrie.  
Without its written authorization the present drawing shall neither be used for construction anyway, communicated to third parties, nor reproduced.