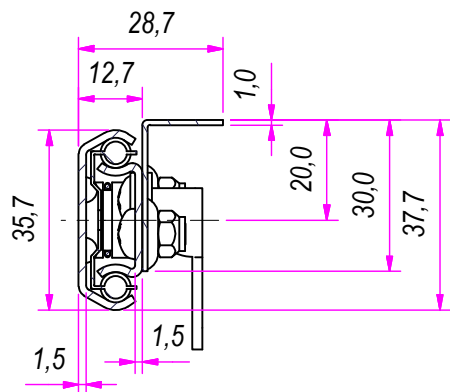
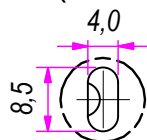


SEZ. A-A



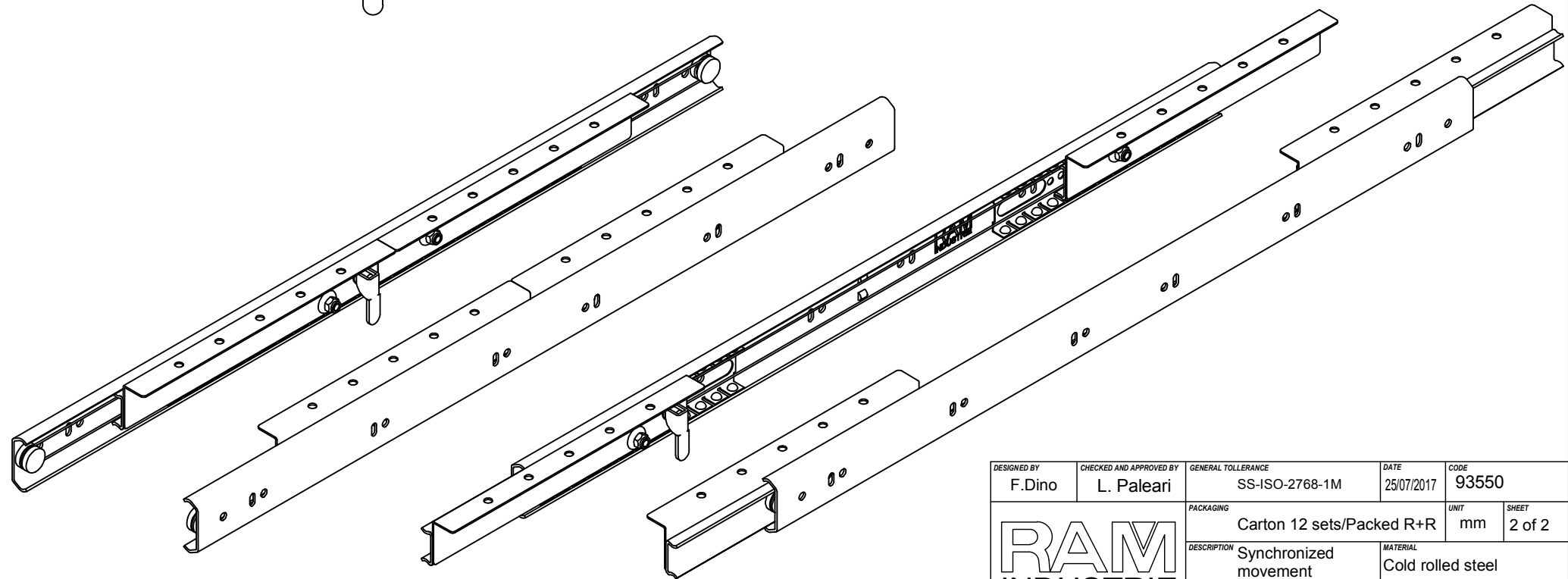
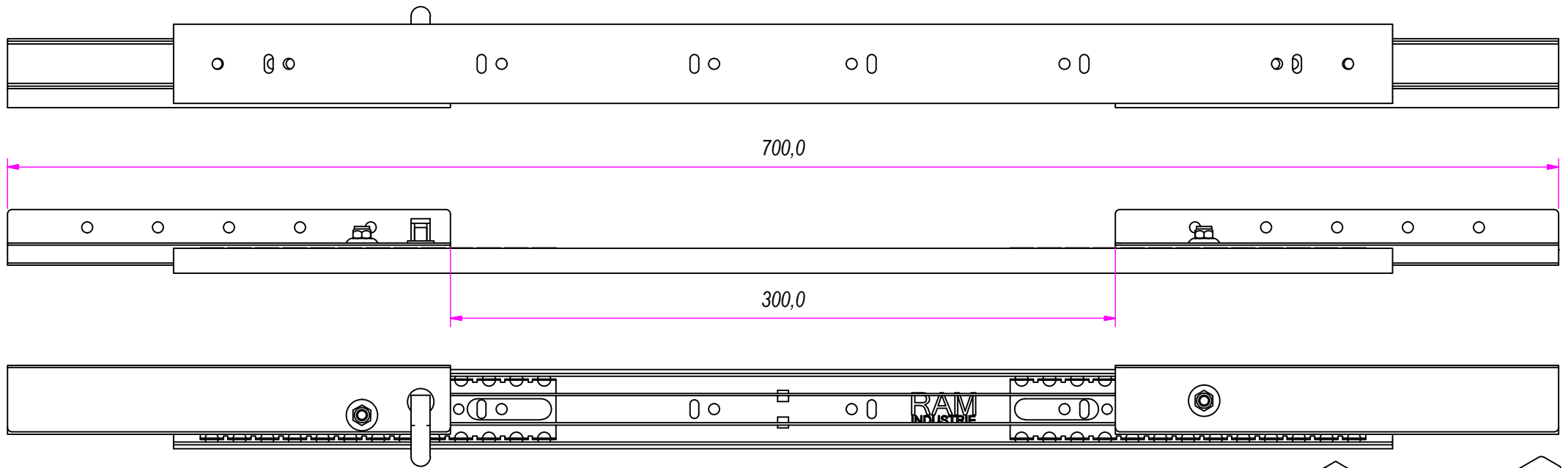
B (1:1)



DESIGNED BY F. Dino	CHECKED AND APPROVED BY L. Paleari	GENERAL TOLERANCE SS-ISO-2768-1M	DATE 25/07/2017	CODE 93550
		PACKAGING Carton 12 sets/Packed R+R	UNIT mm	SHEET 1 of 2
		DESCRIPTION Synchronized movement	MATERIAL Cold rolled steel	
		DEVICE Lock-out	PAIR WEIGHT 1,548 Kg	02C

GUIDE PER CASSETTI; GUIDE TELESCOPICHE		REVISION HISTORY	
DRAWER SLIDE; TELESCOPIC BALL BEARING SLIDE		REV	DESCRIPTION
KUGELFUHRUNG; TELESKOPSCIENEN		DATE	
Coulisses à billes; coulisse télescopique		1a	25/07/2017
Guías para cajones; guía teleópica			

Property of RAM Industrie.
Without its written authorization the present drawing shall neither be used for construction anyway, communicated to third parties, nor reproduced.



Guide per cassetti; guide telescopiche
 Drawer slide; telescopic ball bearing slide
 Kugelführung; Teleskopschienen

Coulisses à billes; coulisse télescopique
 Guías para cajones; guía teleópica

REV	DESCRIPTION	DATE
1a		25/07/2017

DESIGNED BY F. Dino	CHECKED AND APPROVED BY L. Paleari	GENERAL TOLERANCE SS-ISO-2768-1M	DATE 25/07/2017	CODE 93550
		PACKAGING Carton 12 sets/Packed R+R	UNIT mm	SHEET 2 of 2
		DESCRIPTION Synchronized movement	MATERIAL Cold rolled steel	
		DEVICE Lock-out	PAIR WEIGHT 1,548 Kg	02C
Property of RAM Industrie. Without its written authorization the present drawing shall neither be used for construction anyway, communicated to third parties, nor reproduced.				