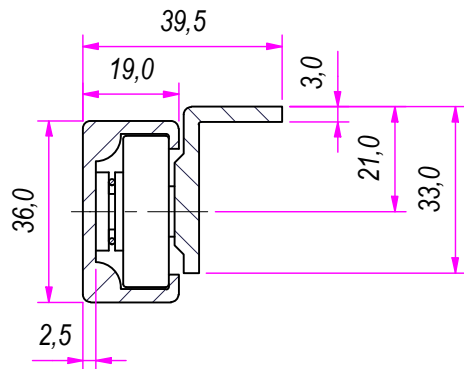



SEZ. A-A

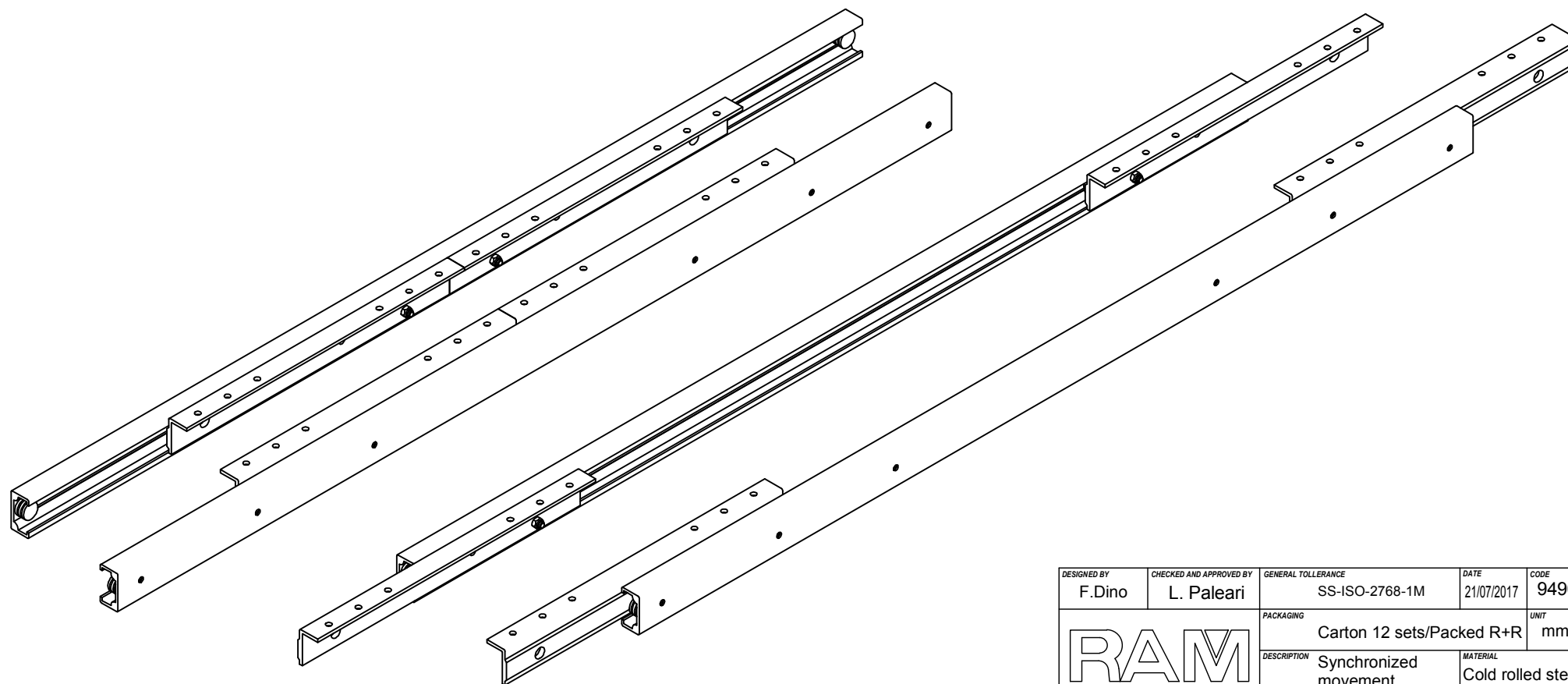
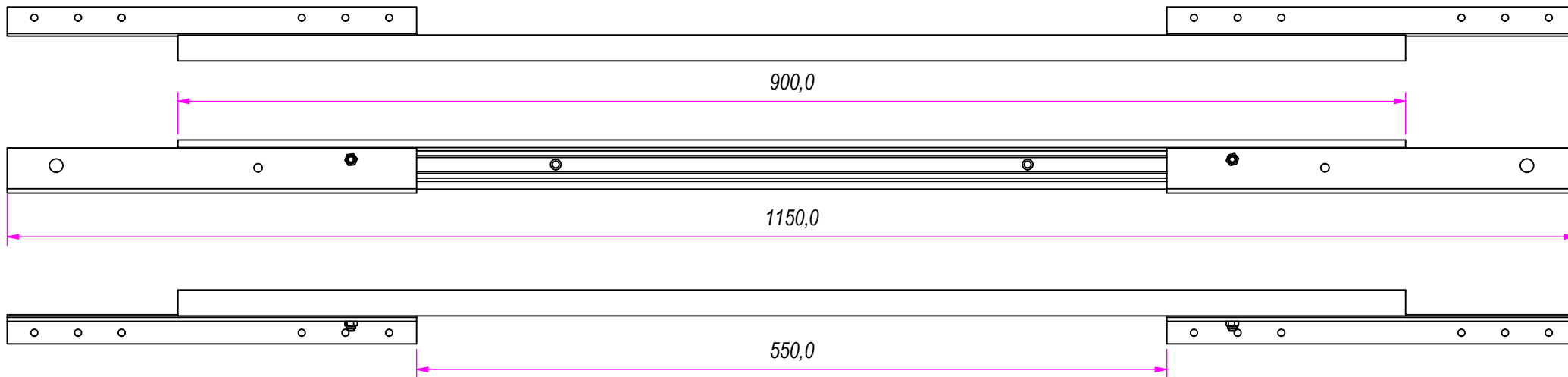


DESIGNED BY F. Dino	CHECKED AND APPROVED BY L. Paleari	GENERAL TOLLERANCE SS-ISO-2768-1M	DATE 21/07/2017	CODE 94900
		PACKAGING Carton 12 sets/Packed R+R	UNIT mm	SHEET 1 of 2
		DESCRIPTION Synchronized movement	MATERIAL Cold rolled steel	
		DEVICE	PAIR WEIGHT 2,138 Kg	02C

		REVISION HISTORY	
		REV	DESCRIPTION
Guide per cassetti; guide telescopiche	Coulisses à billes; coulisse télescopique		
Drawer slide; telescopic ball bearing slide	Guías para cajones; guía teleópica	1a	
Kugelführung; Teleskopschienen			

DATE
21/07/2017

Property of RAM Industrie.
Without its written authorization the present drawing shall neither be used for construction anyway, communicated to third parties, nor reproduced.



Guide per cassetti; guide telescopiche	Coulisses à billes; coulisse télescopique
Drawer slide; telescopic ball bearing slide	Guías para cajones; guía teleópica
Kugelführung; Teleskopschienen	

REVISION HISTORY	
REV	DESCRIPTION
1a	

DESIGNED BY F.Dino	CHECKED AND APPROVED BY L. Paleari	GENERAL TOLLERANCE SS-ISO-2768-1M	DATE 21/07/2017	CODE 94900
		PACKAGING Carton 12 sets/Packed R+R	UNIT mm	SHEET 2 of 2
		DESCRIPTION Synchronized movement	MATERIAL Cold rolled steel	
		DEVICE	PAIR WEIGHT 2,138 Kg	02C
Property of RAM Industrie. Without its written authorization the present drawing shall neither be used for construction anyway, communicated to third parties, nor reproduced.				