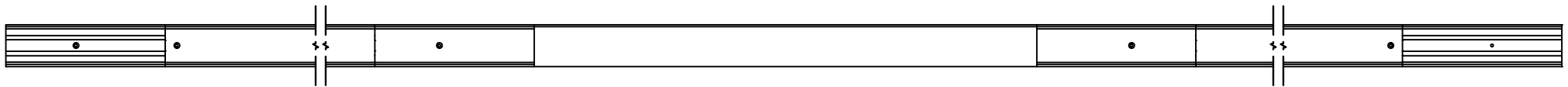


Guide per cassetti; guide telescopiche	Coulisses à billes; coulisse télescopique
Drawer slide; telescopic ball bearing slide	Guías para cajones; guía teleópica
Kugelführung; Teleskopschienen	

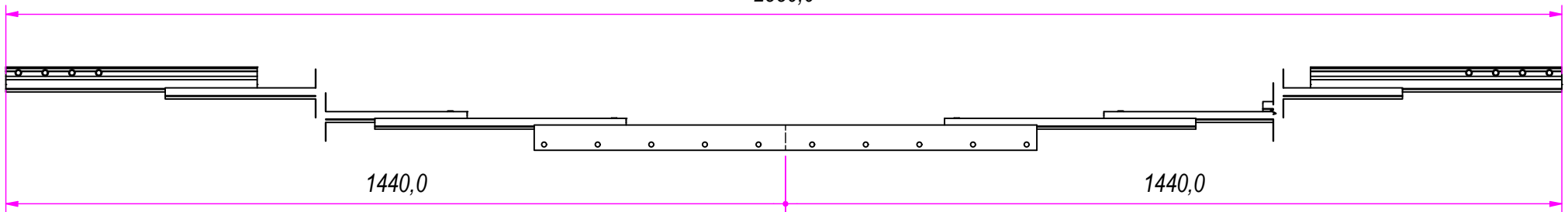
REVISION HISTORY	
REV	DESCRIPTION
1a	

DESIGNED BY F. Dino	CHECKED AND APPROVED BY L. Paleari	GENERAL TOLLERANCE SS-ISO-2768-1M	DATE 28/06/2018	CODE 9907300
PACKAGING			UNIT mm	SHEET 1 of 3
DESCRIPTION		MATERIAL Aluminum		
DEVICE		PAIR WEIGHT		
Property of RAM Industrie.				
Without its written authorization the present drawing shall neither be used for construction anyway, communicated to third parties, nor reproduced.				

RAM
INDUSTRIE

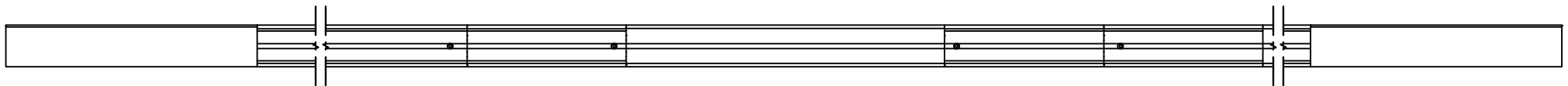


2880,0



1440,0

1440,0

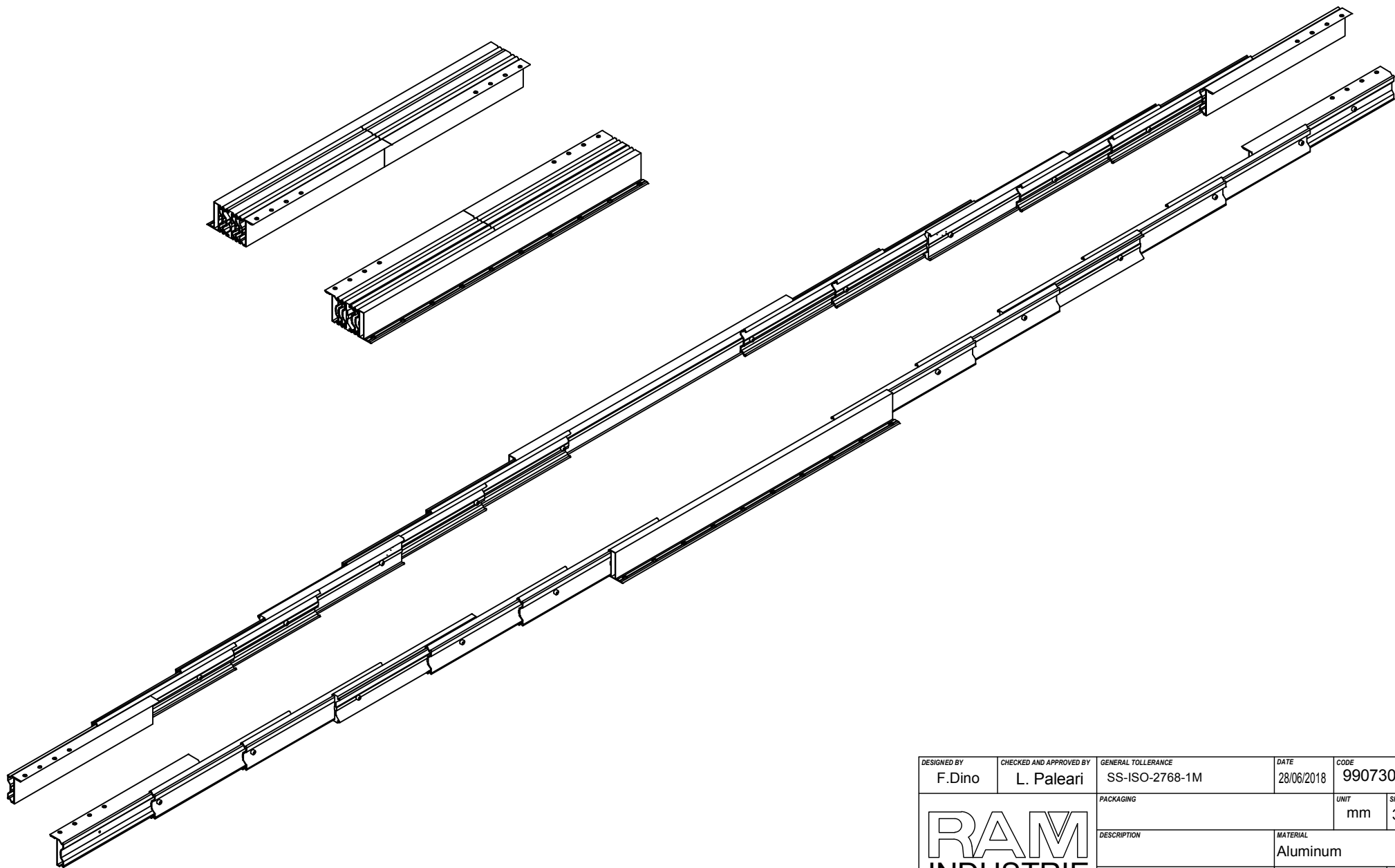


DESIGNED BY F.Dino	CHECKED AND APPROVED BY L. Paleari	GENERAL TOLLERANCE SS-ISO-2768-1M	DATE 28/06/2018	CODE 9907300
PACKAGING			UNIT mm	SHEET 2 of 3
DESCRIPTION			MATERIAL Aluminum	
DEVICE			PAIR WEIGHT	

RAM
INDUSTRIE

		REVISION HISTORY		
		REV	DESCRIPTION	DATE
Guide per cassetti; guide telescopiche	Coulisses à billes; coulisse télescopique			
Drawer slide; telescopic ball bearing slide	Guías para cajones; guía teleópica	1a		28/06/2018
Kugelführung; Teleskopschienen				

Property of RAM Industrie.
Without its written authorization the present drawing shall neither be used for construction anyway, communicated to third parties, nor reproduced.



DESIGNED BY F.Dino	CHECKED AND APPROVED BY L. Paleari	GENERAL TOLERANCE SS-ISO-2768-1M	DATE 28/06/2018	CODE 9907300
PACKAGING			UNIT mm	SHEET 3 of 3
DESCRIPTION RAM INDUSTRIE			MATERIAL Aluminum	
DEVICE			PAIR WEIGHT	

Property of RAM Industrie.
Without its written authorization the present drawing shall neither be used for construction anyway, communicated to third parties, nor reproduced.