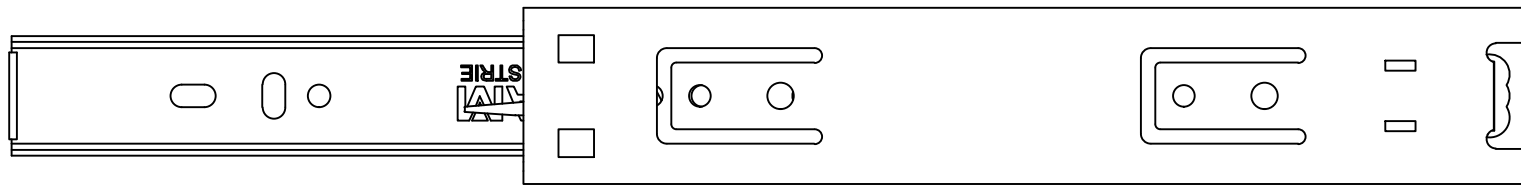


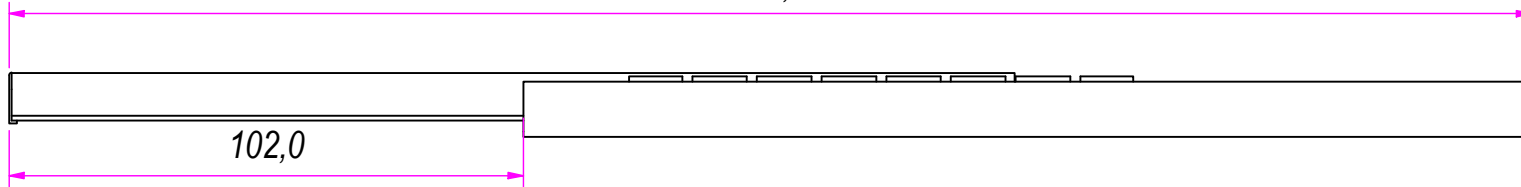
REVISION HISTORY			
REV	DESCRIPTION	APPROVED BY	DATE
1		F.Dino	02/02/2017

DESIGNED BY F.Dino	CHECKED AND APPROVED BY L. Paleari	DATE 02/02/2017	CODE C35200
		GENERAL TOLLERANCE SS-ISO-2768-1M	UNIT mm
		SCALE 1 of 2	SHEET 1 of 2
DESCRIPTION		MATERIAL Cold rolled steel	
DEVICE		PAIR WEIGHT 0,446 Kg	02C

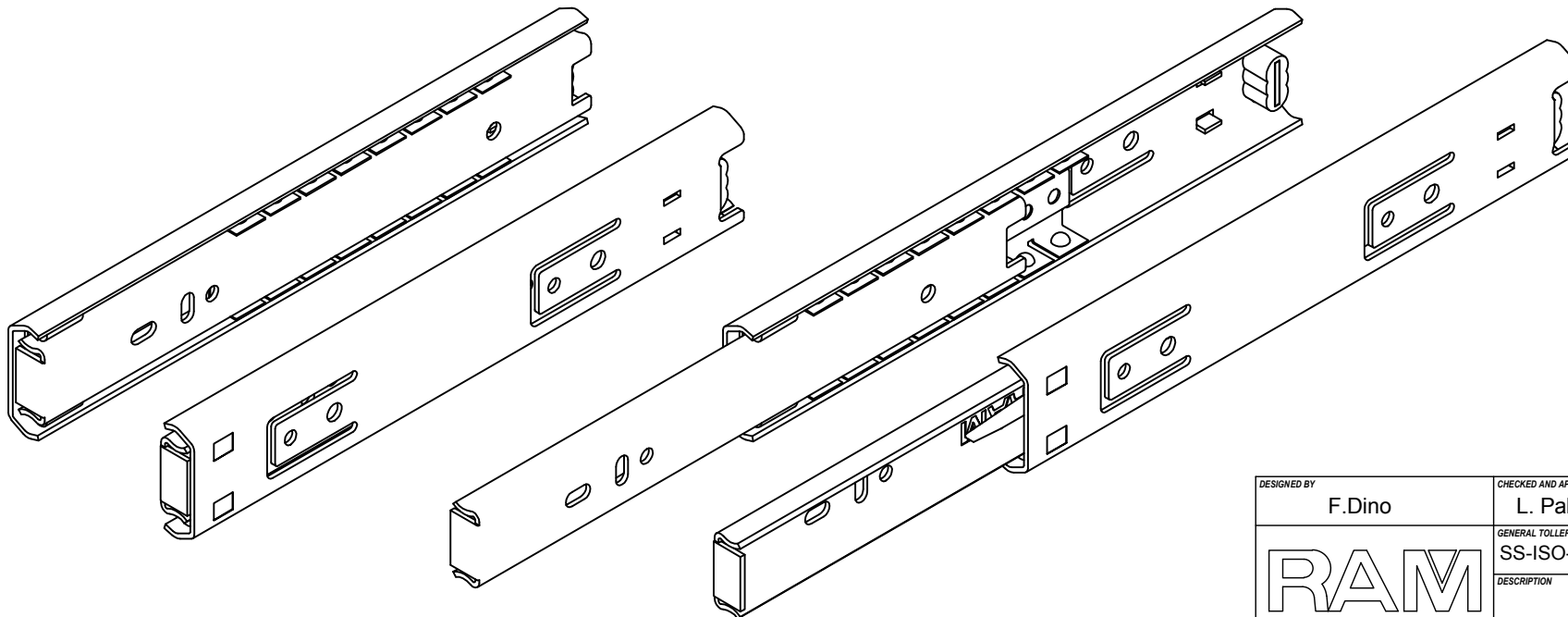
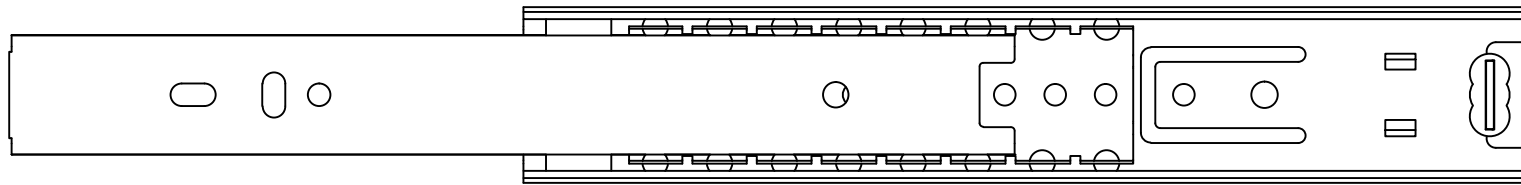
Property of RAM Industrie.
Without its written authorization the present drawing shall neither be used for construction anyway, communicated to third parties, nor reproduced.



302,0



102,0



REVISION HISTORY			
REV	DESCRIPTION	APPROVED BY	DATE
1		F.Dino	02/02/2017

DESIGNED BY F.Dino	CHECKED AND APPROVED BY L. Paleari	DATE 02/02/2017	CODE C35200	
		GENERAL TOLLERANCE SS-ISO-2768-1M	UNIT mm	SCALE SHEET 2 of 2
		DESCRIPTION	MATERIAL Cold rolled steel	
DEVICE	PAIR WEIGHT 0,446 Kg		02C	

Property of RAM Industrie.
Without its written authorization the present drawing shall neither be used for construction anyway, communicated to third parties, nor reproduced.