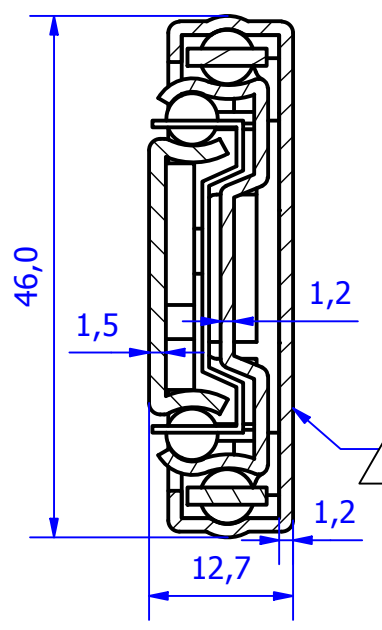
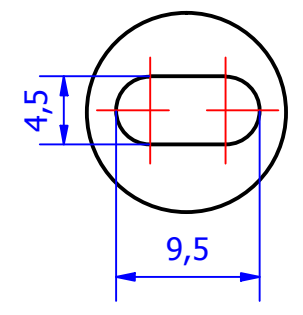


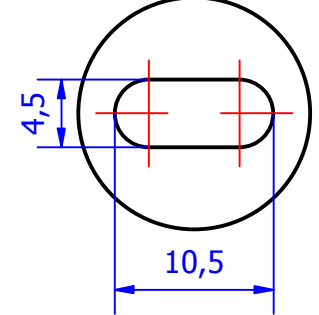
A-A (1.5: 1)



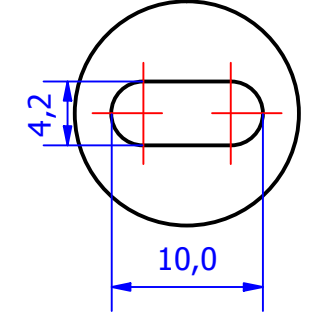
B (2: 1)



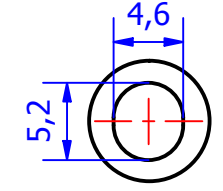
C (2: 1)




D (2: 1)

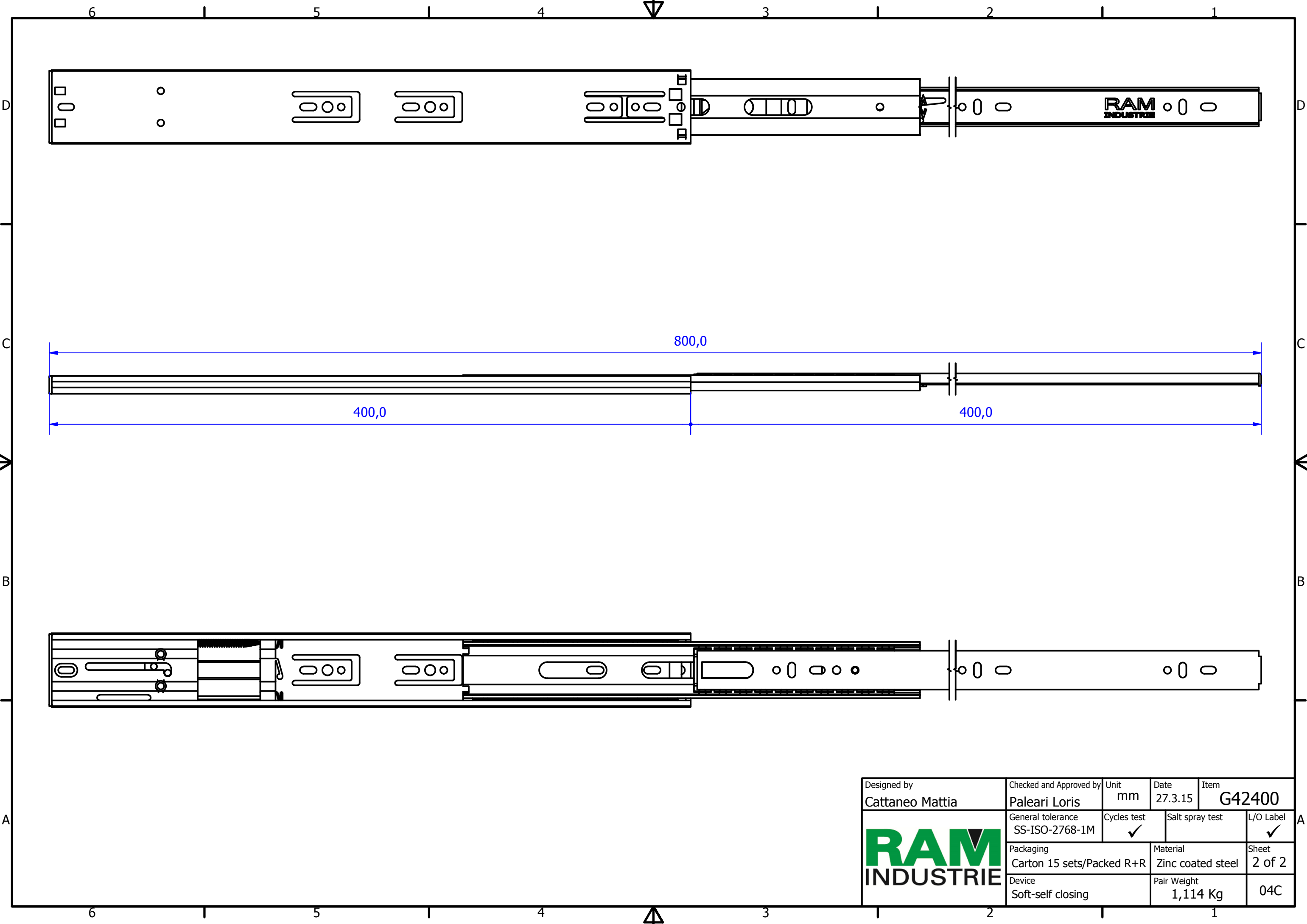


E (2: 1)



REVISION HISTORY			
REV	DESCRIPTION	APPROVED BY	DATE
1	Added slotted hole (16-03)	F.Dino	21/09/2016
2	Modified thicknesses (20-146)	F.Dino	27/01/2021

Designed by Cattaneo Mattia	Checked and Approved by Paleari Loris	Unit mm	Date 27.3.15	Item G42400
		General tolerance SS-ISO-2768-1M	Cycles test ✓	Salt spray test ✓
		Packaging Carton 15 sets/Packed R+R	Material Zinc coated steel	Sheet 1 of 2
Device Soft-self closing		Pair Weight 1,114 Kg	04C	




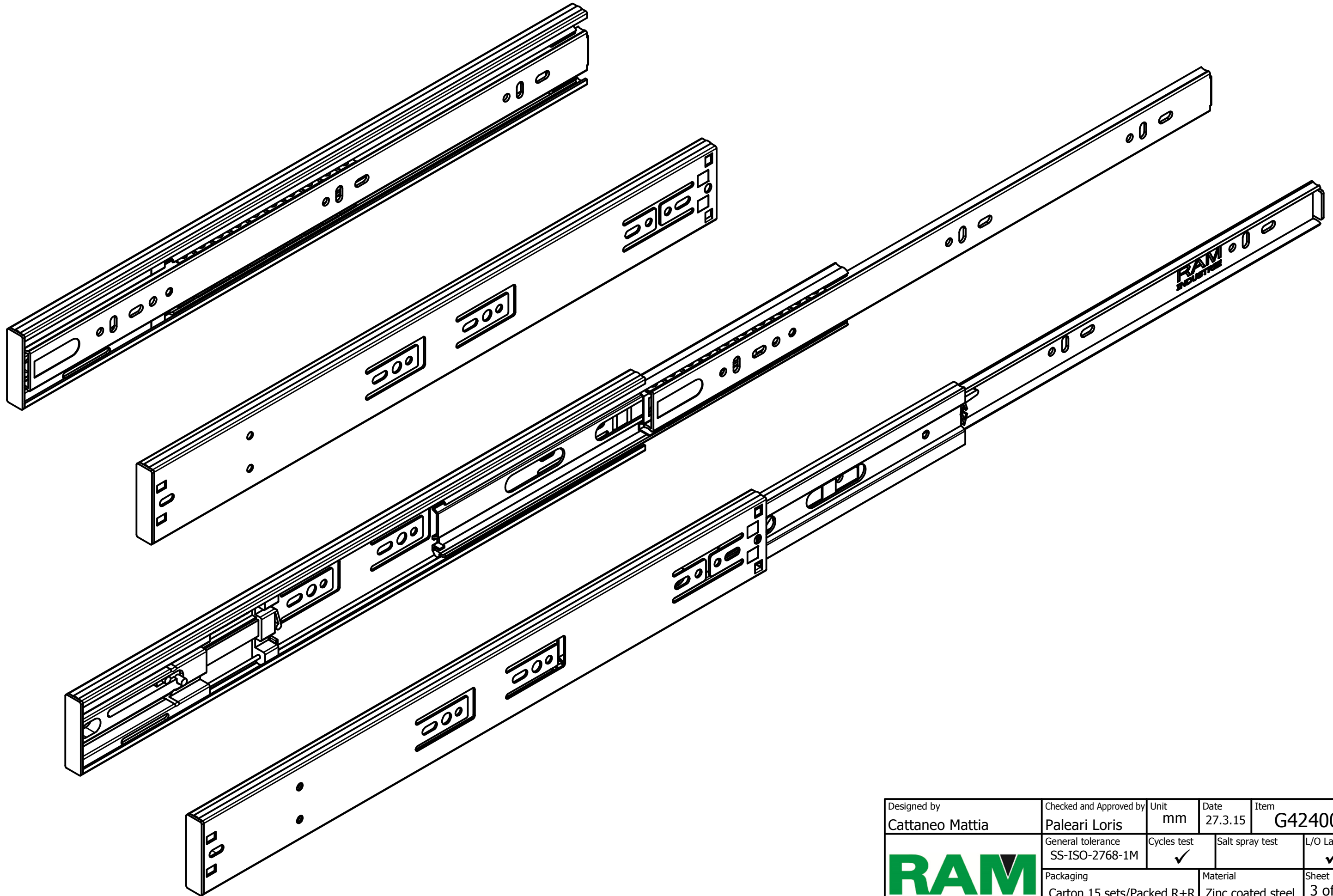
RAM
INDUSTRIE


800,0

400,0

400,0

Designed by Cattaneo Mattia	Checked and Approved by Paleari Loris	Unit mm	Date 27.3.15	Item G42400
	General tolerance SS-ISO-2768-1M	Cycles test ✓	Salt spray test	L/O Label ✓
	Packaging Carton 15 sets/Packed R+R	Material Zinc coated steel	Sheet 2 of 2	
	Device Soft-self closing	Pair Weight 1,114 Kg	04C	



Designed by Cattaneo Mattia	Checked and Approved by Paleari Loris	Unit mm	Date 27.3.15	Item G42400
	General tolerance SS-ISO-2768-1M	Cycles test ✓	Salt spray test	L/O Label ✓
	Packaging Carton 15 sets/Packed R+R	Material Zinc coated steel	Sheet 3 of 2	
	Device Soft-self closing	Pair Weight 1,114 Kg	04C	