

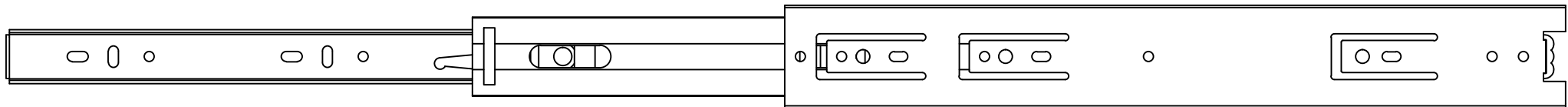
DESIGNED BY F. Dino	CHECKED AND APPROVED BY L. Paleari	GENERAL TOLERANCE SS-ISO-2768-1M	DATE 30/06/2017	CODE I46350
PACKAGING Carton 10 sets/Packed R+R			UNIT mm	SHEET 1 of 2
DESCRIPTION DRAWER SLIDE			MATERIAL AISI 304 stainless steel	
DEVICE			PAIR WEIGHT 1,012 Kg	01T

		REVISION HISTORY	
		REV	DESCRIPTION
Guide per cassetti; guide telescopiche	Coulisses à billes; coulisse télescopique		
Drawer slide; telescopic ball bearing slide	Guías para cajones; guía teleópica	1a	
Kugelführung; Teleskopschienen			

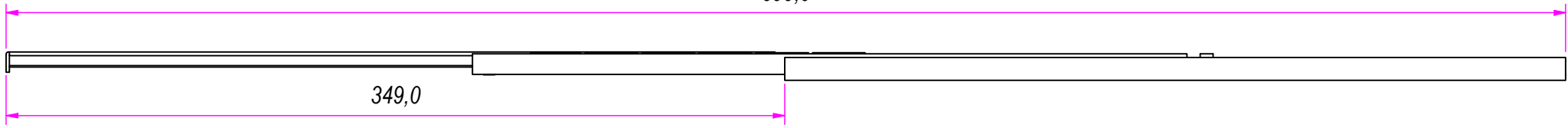
DATE
30/06/2017

Without its written authorization the present drawing shall neither be used for construction anyway, communicated to third parties, nor reproduced.

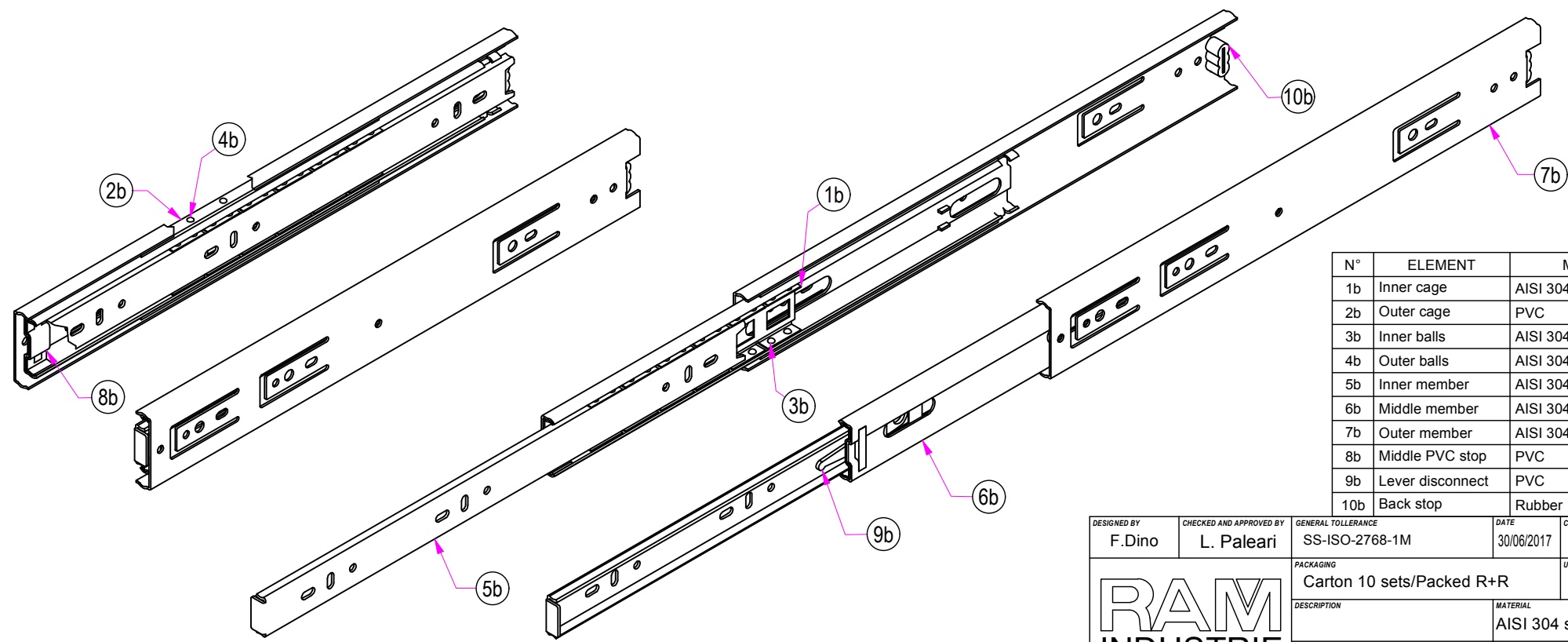
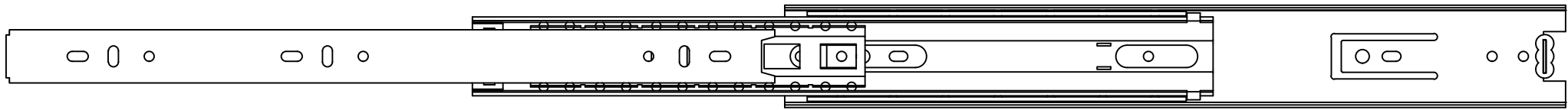
Property of RAM Industrie.



699,0



349,0



N°	ELEMENT	MATERIAL
1b	Inner cage	AISI 304 stainless steel
2b	Outer cage	PVC
3b	Inner balls	AISI 304 stainless steel
4b	Outer balls	AISI 304 stainless steel
5b	Inner member	AISI 304 stainless steel
6b	Middle member	AISI 304 stainless steel
7b	Outer member	AISI 304 stainless steel
8b	Middle PVC stop	PVC
9b	Lever disconnect	PVC
10b	Back stop	Rubber

DESIGNED BY F. Dino	CHECKED AND APPROVED BY L. Paleari	GENERAL TOLERANCE SS-ISO-2768-1M	DATE 30/06/2017	CODE I46350
		PACKAGING Carton 10 sets/Packed R+R	UNIT mm	SHEET 2 of 2
		DESCRIPTION AISI 304 stainless steel	MATERIAL	
		DEVICE	PAIR WEIGHT 1,012 Kg	01T

REVISION HISTORY	DESCRIPTION	DATE
REV 1a		30/06/2017

Guide per cassetti; guide telescopiche
 Drawer slide; telescopic ball bearing slide
 Kugelführung; Teleskopschienen

Coulisses à billes; coulisse télescopique
 Guías para cajones; guía teleópica

Property of RAM Industrie.
 Without its written authorization the present drawing shall neither be used for construction anyway, communicated to third parties, nor reproduced.