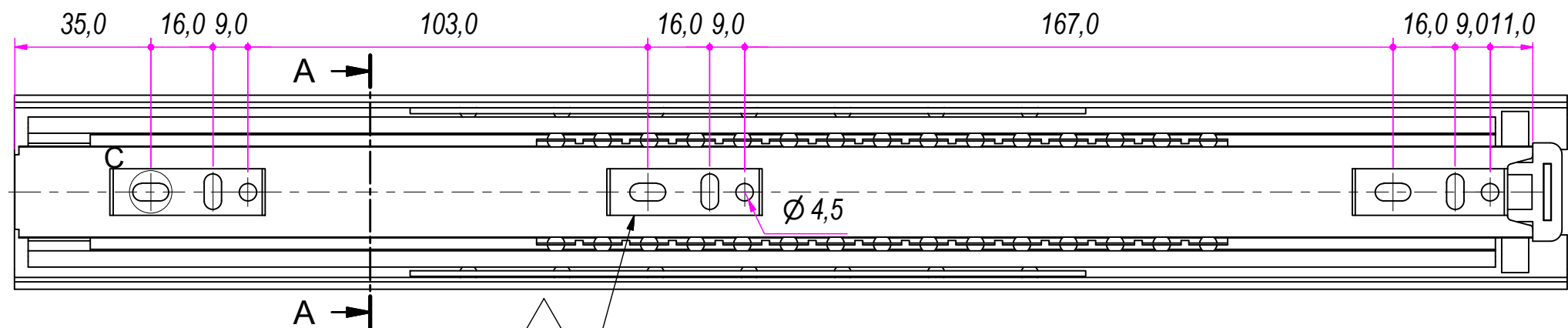
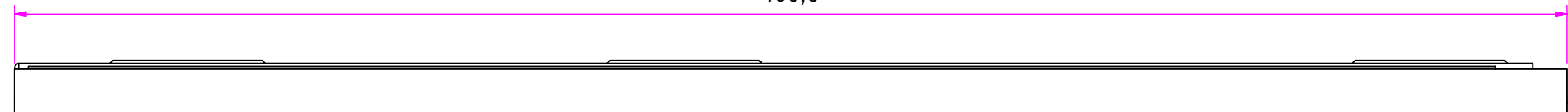
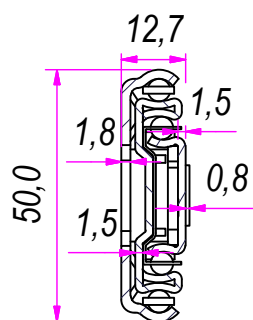


400,0

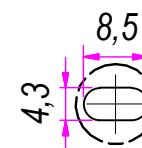


SEZ. A-A

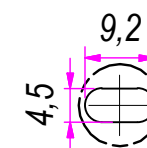


1a

B (1:1)



C (1:1)

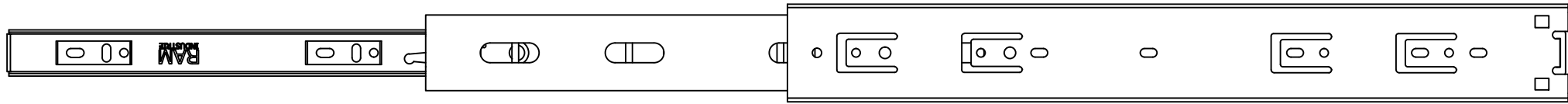


Guide per cassetti; guide telescopiche	Coulisses à billes; coulisse télescopique	
Drawer slide; telescopic ball bearing slide	Guías para cajones; guía teleópica	REV
Kugelführung; Teleskopschienen		1a

REVISION HISTORY		
REV	DESCRIPTION	DATE
1a	Raising the holes	30/08/2017

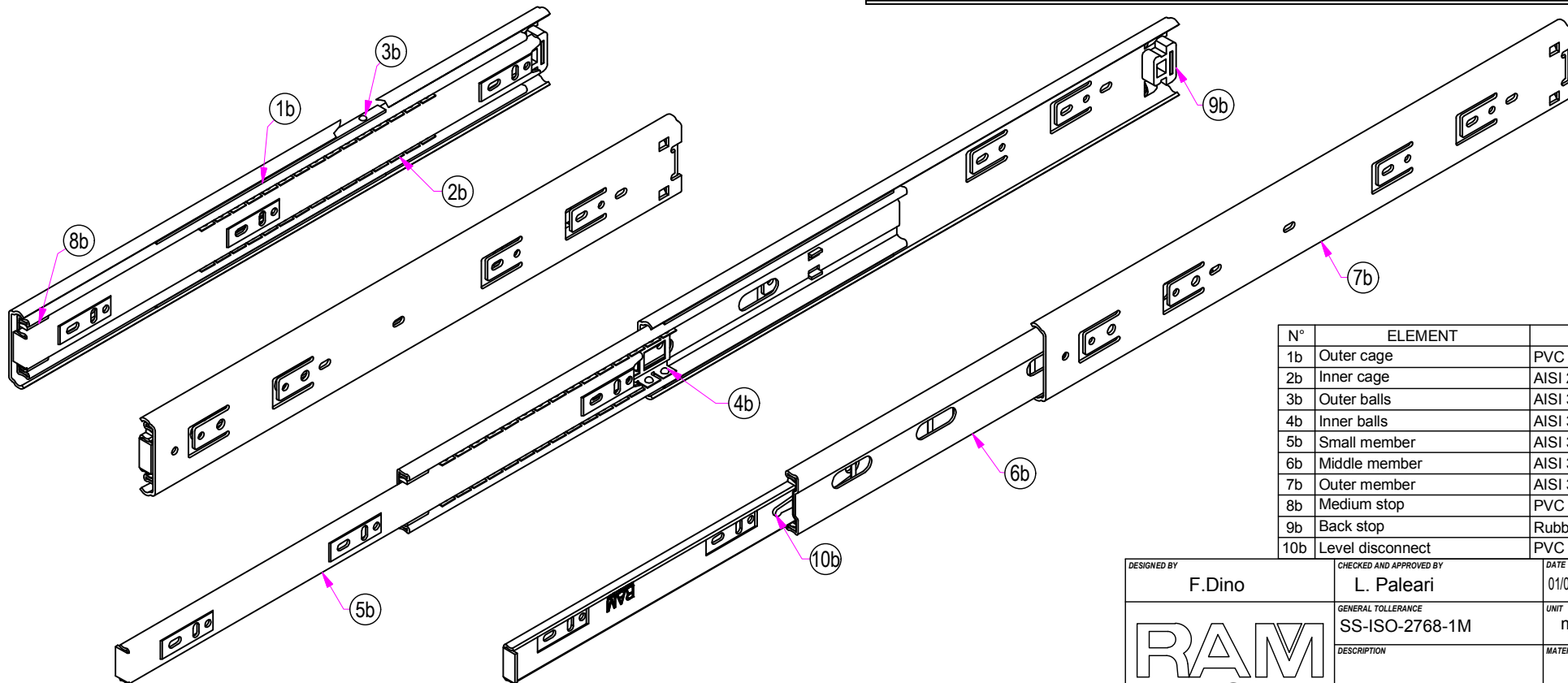
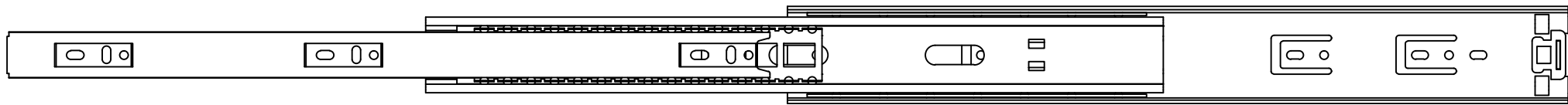
DESIGNED BY F.Dino	CHECKED AND APPROVED BY L. Paleari	DATE 01/03/2017	CODE I51400
		GENERAL TOLLERANCE SS-ISO-2768-1M	UNIT mm
		DESCRIPTION	MATERIAL Stainless steel
		PAIR WEIGHT 1,608 Kg	SHEET 1 of 2

Property of RAM Industrie.
Without its written authorization the present drawing shall neither be used for construction anyway, communicated to third parties, nor reproduced.



800,0

400,0



N°	ELEMENT	MATERIAL
1b	Outer cage	PVC
2b	Inner cage	AISI 201 stainless steel
3b	Outer balls	AISI 304 stainless steel
4b	Inner balls	AISI 304 stainless steel
5b	Small member	AISI 316 stainless steel
6b	Middle member	AISI 316 stainless steel
7b	Outer member	AISI 316 stainless steel
8b	Medium stop	PVC
9b	Back stop	Rubber
10b	Level disconnect	PVC

DESIGNED BY F.Dino	CHECKED AND APPROVED BY L. Paleari	DATE 01/03/2017	CODE I51400
		GENERAL TOLLERANCE SS-ISO-2768-1M	UNIT mm
		DESCRIPTION	MATERIAL Stainless steel
DEVICE		PAIR WEIGHT 1,608 Kg	SHEET 2 of 2

REVISION HISTORY	DESCRIPTION	DATE
REV 1a	Raising the holes	30/08/2017

Guide per cassetti; guide telescopiche
Drawer slide; telescopic ball bearing slide
Kugelführung; Teleskopschienen

Coulisses à billes; coulisse télescopique
Guías para cajones; guía teleópica

Property of RAM Industrie.
Without its written authorization the present drawing shall neither be used for construction anyway, communicated to third parties, nor reproduced.