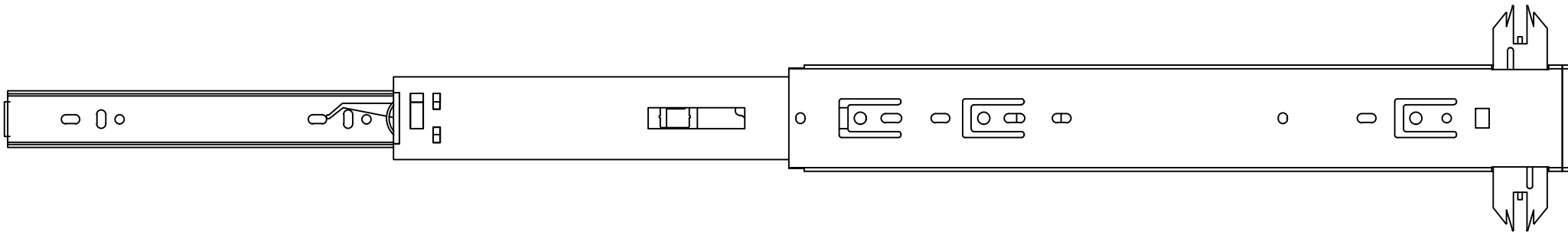
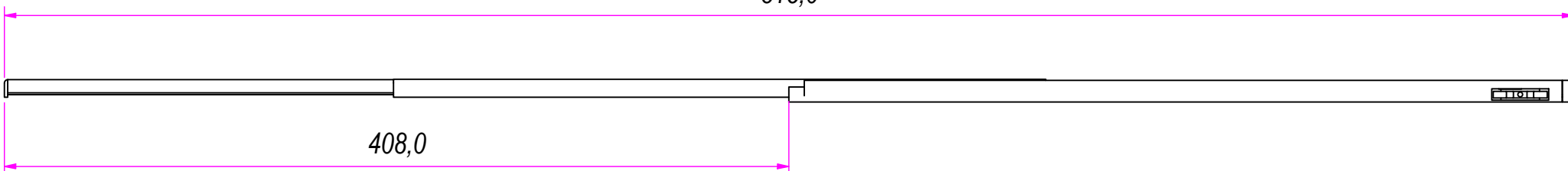


| REVISION HISTORY | | | |
|------------------|-------------|-------------|------------|
| REV | DESCRIPTION | APPROVED BY | DATE |
| 1 | | F.Dino | 19/12/2016 |

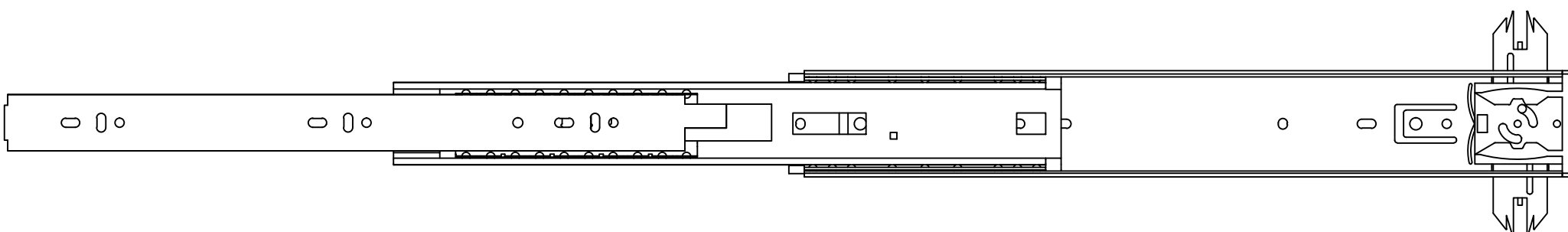
| | | | |
|---|---------------------------------------|--------------------------------------|-------------------------------|
| DESIGNED BY F.Dino | CHECKED AND APPROVED BY L. Paleari | DATE 19/12/2016 | CODE IL61400 |
| | | GENERAL TOLLERANCE SS-ISO-2768-1M | UNIT mm |
| | | DESCRIPTION | MATERIAL Cold rolled steel |
| | | PAIR WEIGHT 1,794 Kg | SHEET 1 of 3 |
| Property of RAM Industrie. Without its written authorization the present drawing shall neither be used for construction anyway, communicated to third parties, nor reproduced. | | | |




815,0



408,0

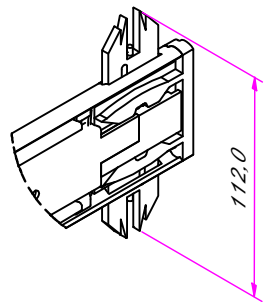


| REVISION HISTORY | | | |
|------------------|-------------|-------------|------------|
| REV | DESCRIPTION | APPROVED BY | DATE |
| 1 | | F.Dino | 19/12/2016 |

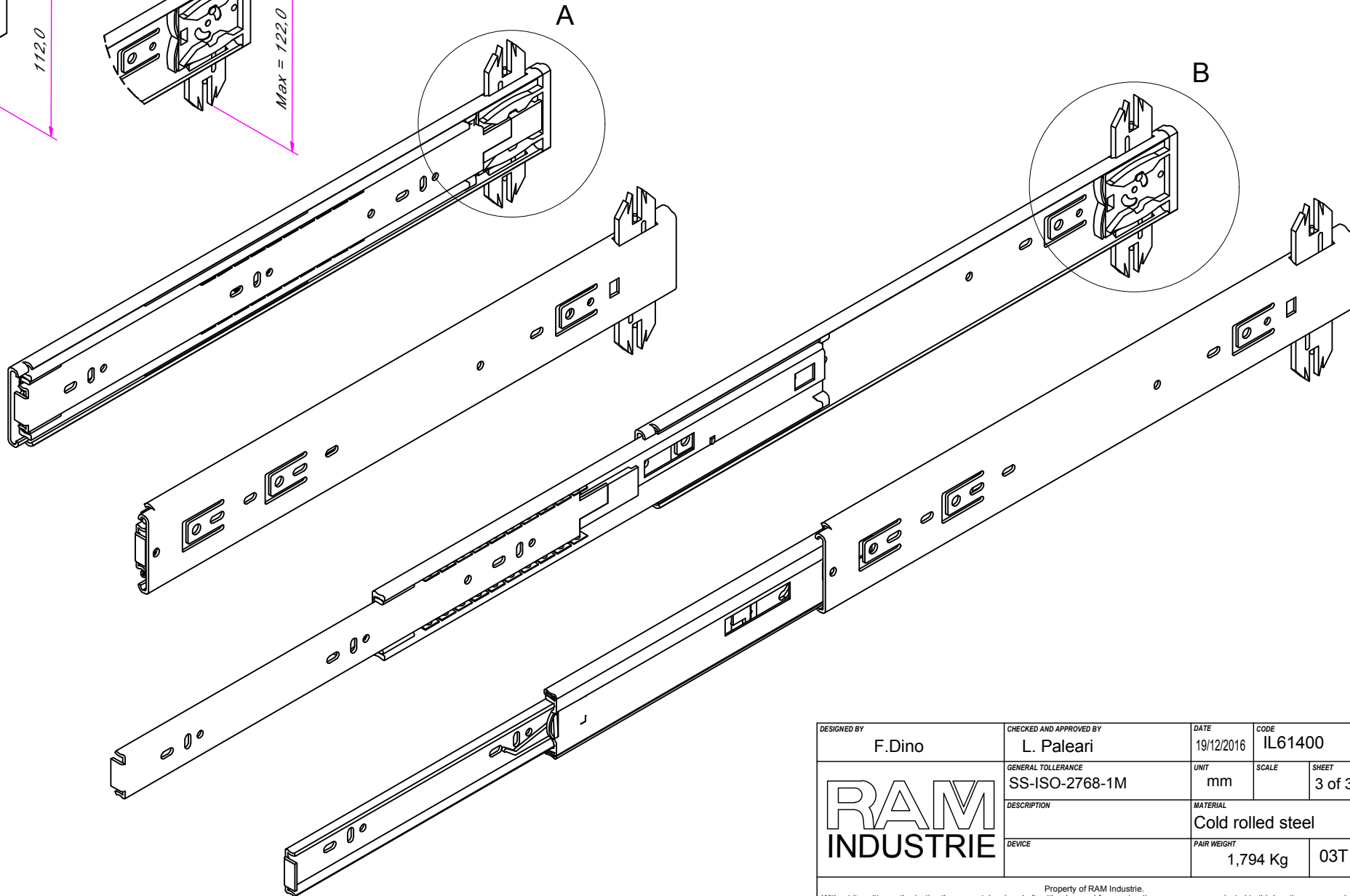
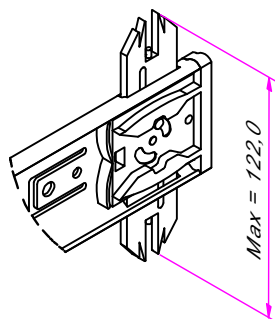
| | | | | |
|---|---------------------------------------|-------------------------------|-----------------|-----------------|
| DESIGNED BY F.Dino | CHECKED AND APPROVED BY L. Paleari | DATE 19/12/2016 | CODE IL61400 | |
|  | GENERAL TOLLERANCE SS-ISO-2768-1M | UNIT mm | SCALE | SHEET 2 of 3 |
| | DESCRIPTION | MATERIAL Cold rolled steel | | |
| | DEVICE | PAIR WEIGHT 1,794 Kg | 03T | |


Property of RAM Industrie.
Without its written authorization the present drawing shall neither be used for construction anyway, communicated to third parties, nor reproduced.

A (1:3)
CLOSED



B (1:3)
OPEN



| | | | | |
|---|---------------------------------------|-------------------------------|-----------------|-----------------|
| DESIGNED BY F.Dino | CHECKED AND APPROVED BY L. Paleari | DATE 19/12/2016 | CODE IL61400 | |
|  | GENERAL TOLLERANCE SS-ISO-2768-1M | UNIT mm | SCALE | SHEET 3 of 3 |
| | DESCRIPTION | MATERIAL Cold rolled steel | | |
| | DEVICE | PAIR WEIGHT 1,794 Kg | 03T | |

Property of RAM Industrie.
Without its written authorization the present drawing shall neither be used for construction anyway, communicated to third parties, nor reproduced.