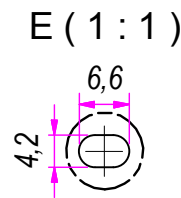
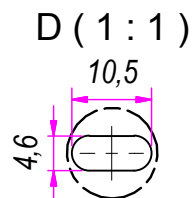
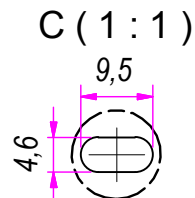
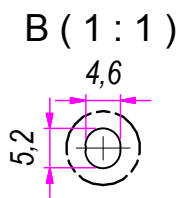
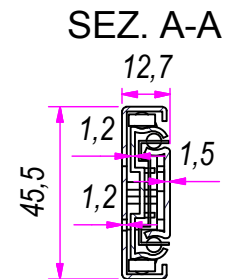
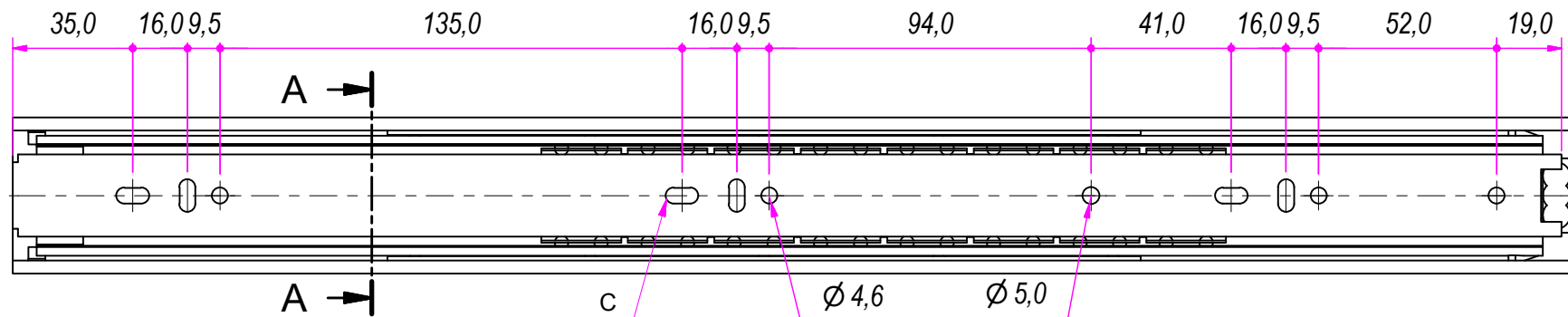
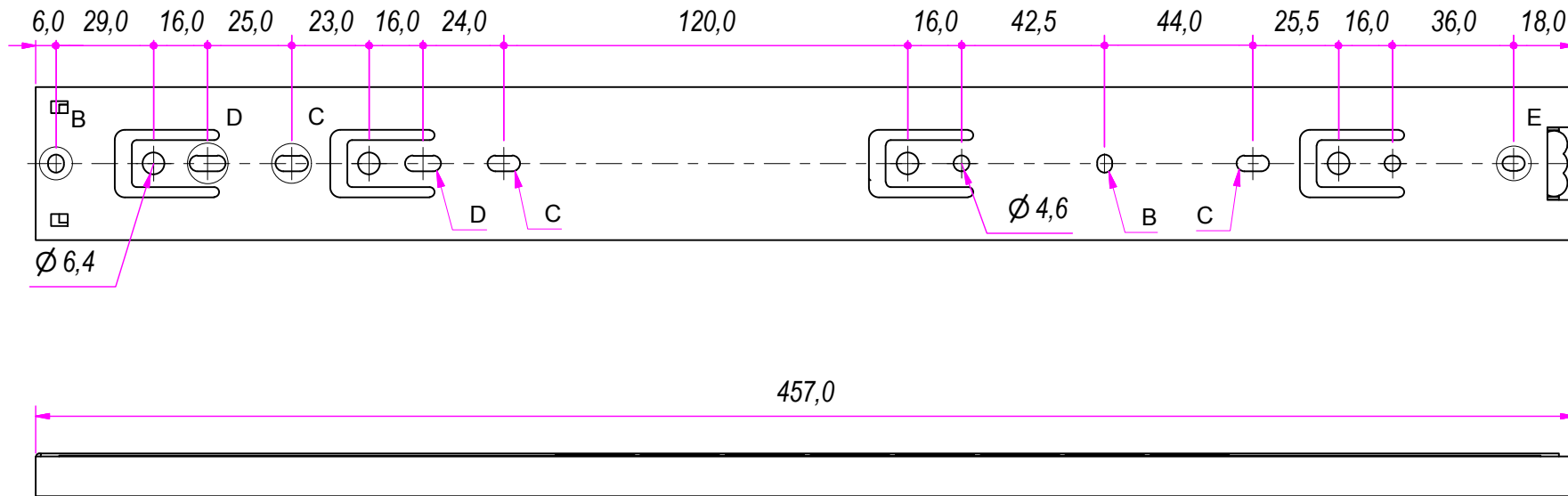


DESIGNED BY F. Dino	CHECKED AND APPROVED BY L. Paleari	GENERAL TOLERANCE SS-ISO-2768-1M	DATE 26/04/2018	CODE IL62450
PACKAGING			UNIT mm	SHEET 1 of 3
DESCRIPTION RAM INDUSTRIE			MATERIAL Cold rolled steel	
DEVICE Rear interlock			PAIR WEIGHT 1,606 Kg	03T

Guide per cassette; guide telescopiche	Coulisses à billes; coulisse télescopique	REVISION HISTORY		
Drawer slide; telescopic ball bearing slide	Guías para cajones; guía teleópica	REV	DESCRIPTION	DATE
Kugelführung; Teleskopschienen		1a		26/04/2018

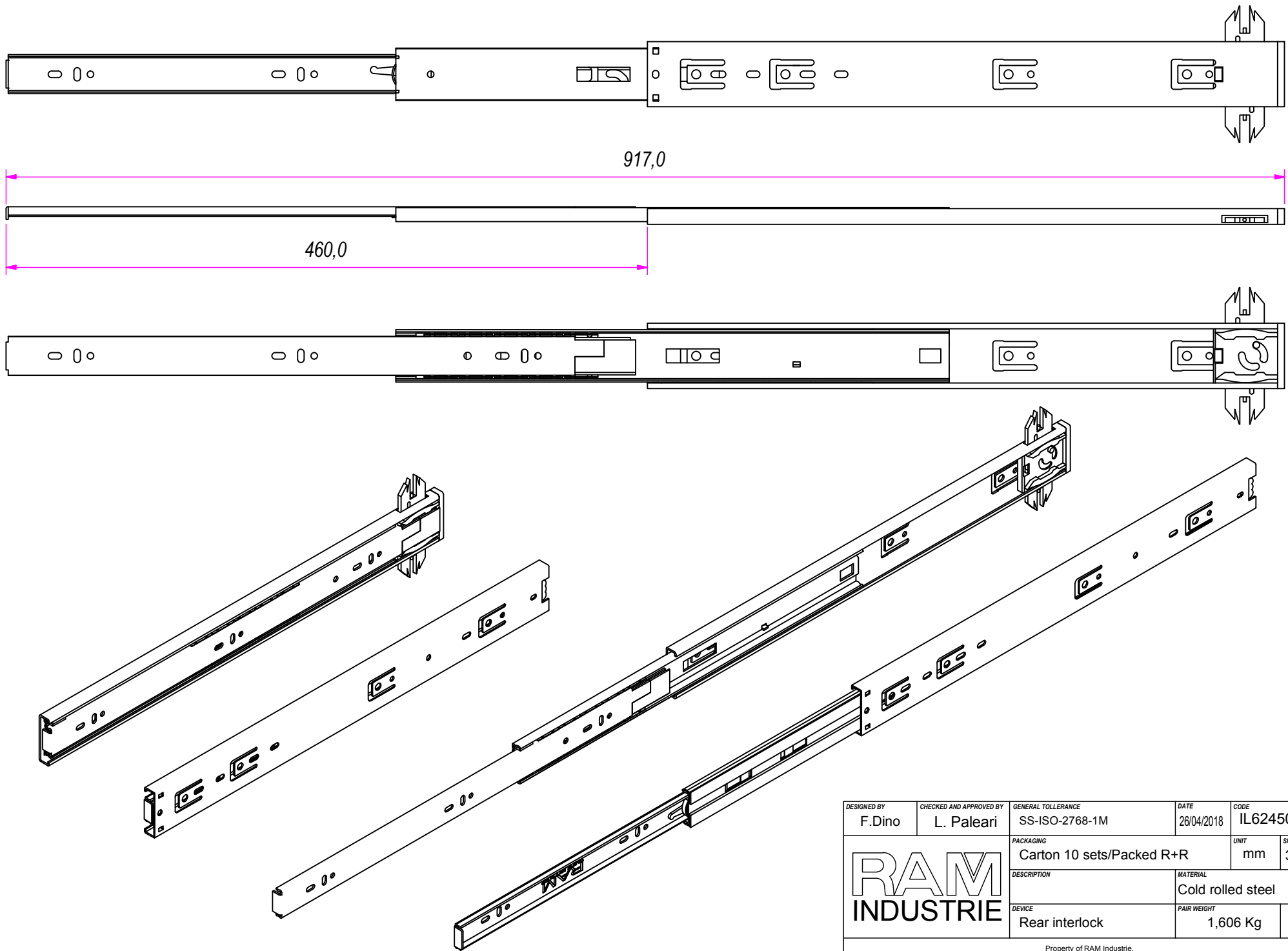
Property of RAM Industrie.
Without its written authorization the present drawing shall neither be used for construction anyway, communicated to third parties, nor reproduced.




Guide per cassetti; guide telescopiche	Coulisses à billes; coulisse télescopique	REVISION HISTORY	
Drawer slide; telescopic ball bearing slide	Guías para cajones; guía teleópica	REV	DESCRIPTION
Kugelführung; Teleskopschienen		1a	DATE

DESIGNED BY F. Dino	CHECKED AND APPROVED BY L. Paleari	GENERAL TOLERANCE SS-ISO-2768-1M	DATE 26/04/2018	CODE IL62450
PACKAGING			UNIT mm	SHEET 2 of 3
DESCRIPTION Rear interlock			MATERIAL Cold rolled steel	
			PAIR WEIGHT 1,606 Kg	03T
Property of RAM Industrie. Without its written authorization the present drawing shall neither be used for construction anyway, communicated to third parties, nor reproduced.				

RAM
INDUSTRIE



DESIGNED BY F.Dino	CHECKED AND APPROVED BY L. Paleari	GENERAL TOLERANCE SS-ISO-2768-1M	DATE 26/04/2018	CODE IL62450
PACKAGING Carton 10 sets/Packed R+R			UNIT mm	SHEET 3 of 3
			MATERIAL Cold rolled steel	
			PAIR WEIGHT 1,606 Kg	03T

Property of RAM Industrie.
Without its written authorization the present drawing shall neither be used for construction anyway, communicated to third parties, nor reproduced.