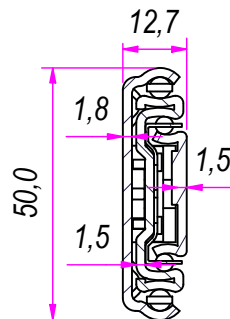
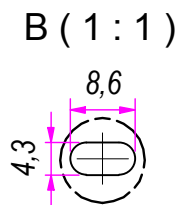
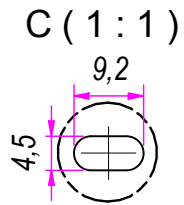


SEZ. A-A



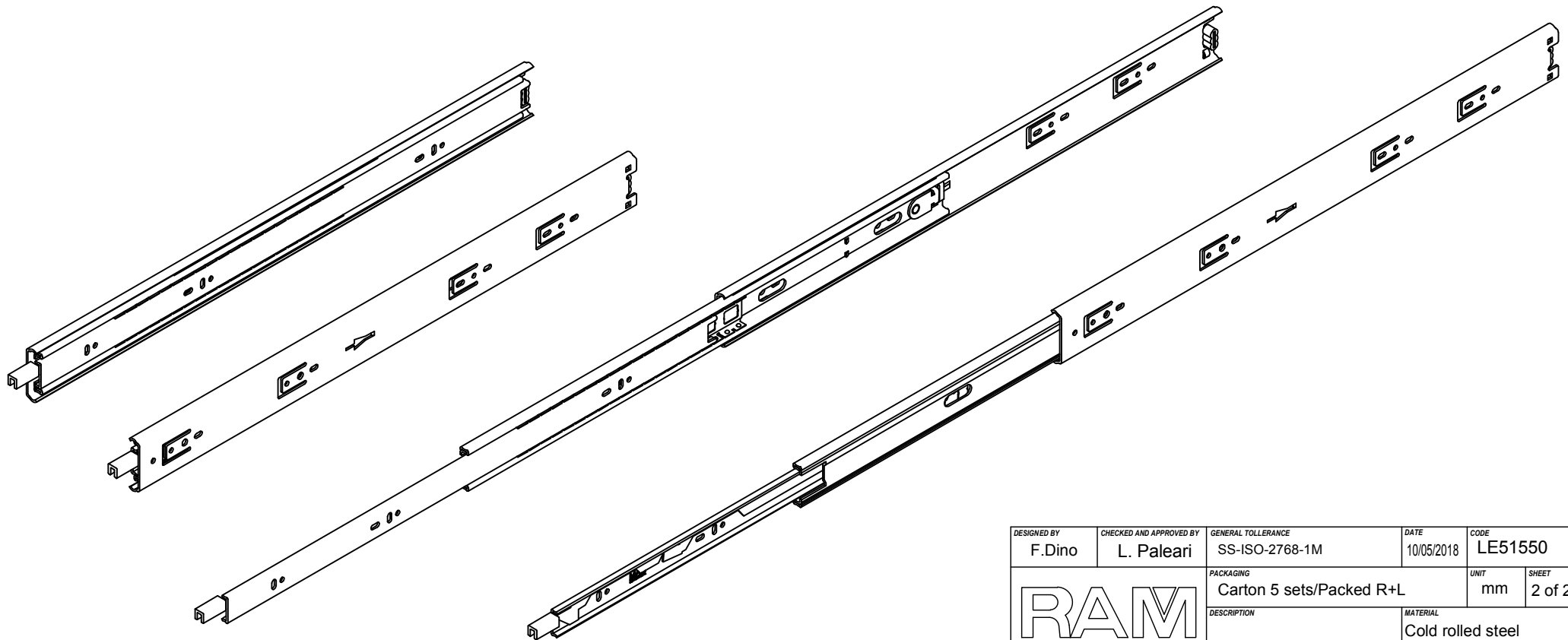
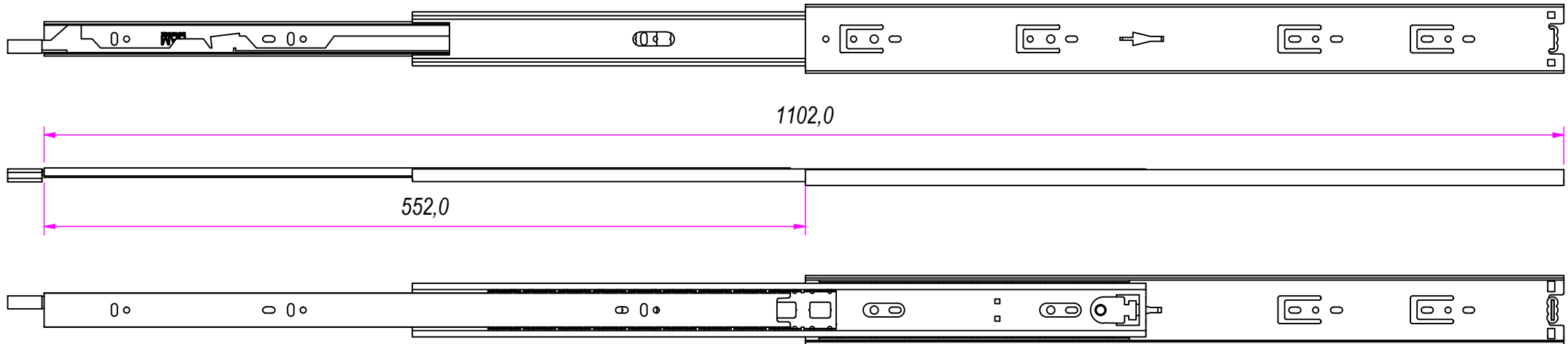
Guide per cassetti; guide telescopiche	Coulisses à billes; coulisse télescopique	
Drawer slide; telescopic ball bearing slide	Guías para cajones; guía teleópica	
Kugelführung; Teleskopschienen		

REVISION HISTORY	
REV	DESCRIPTION
1a	

DESIGNED BY F. Dino	CHECKED AND APPROVED BY L. Paleari	GENERAL TOLERANCE SS-ISO-2768-1M	DATE 10/05/2018	CODE LE51550
PACKAGING Carton 5 sets/Packed R+L			UNIT mm	SHEET 1 of 2
DESCRIPTION Lock-in and Lock-out			MATERIAL Cold rolled steel	
			PAIR WEIGHT 2,348 Kg	02C

**RAM**  
**INDUSTRIE**

Property of RAM Industrie.  
Without its written authorization the present drawing shall neither be used for construction anyway, communicated to third parties, nor reproduced.



Guide per cassetti; guide telescopiche	Coulisses à billes; coulisse télescopique
Drawer slide; telescopic ball bearing slide	Guías para cajones; guía teleópica
Kugelführung; Teleskopschienen	

REVISION HISTORY	
REV	DESCRIPTION
1a	

DESIGNED BY F. Dino	CHECKED AND APPROVED BY L. Paleari	GENERAL TOLERANCE SS-ISO-2768-1M	DATE 10/05/2018	CODE LE51550
		PACKAGING Carton 5 sets/Packed R+L	UNIT mm	SHEET 2 of 2
		DESCRIPTION Lock-in and Lock-out		MATERIAL Cold rolled steel
		PAIR WEIGHT 2,348 Kg		02C
Property of RAM Industrie. Without its written authorization the present drawing shall neither be used for construction anyway, communicated to third parties, nor reproduced.				

		DATE 10/05/2018
--	--	--------------------