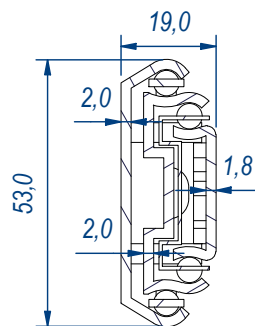
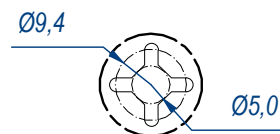


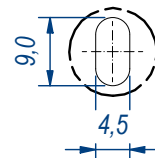
SEZ. A-A



B (1:1)



C (1:1)

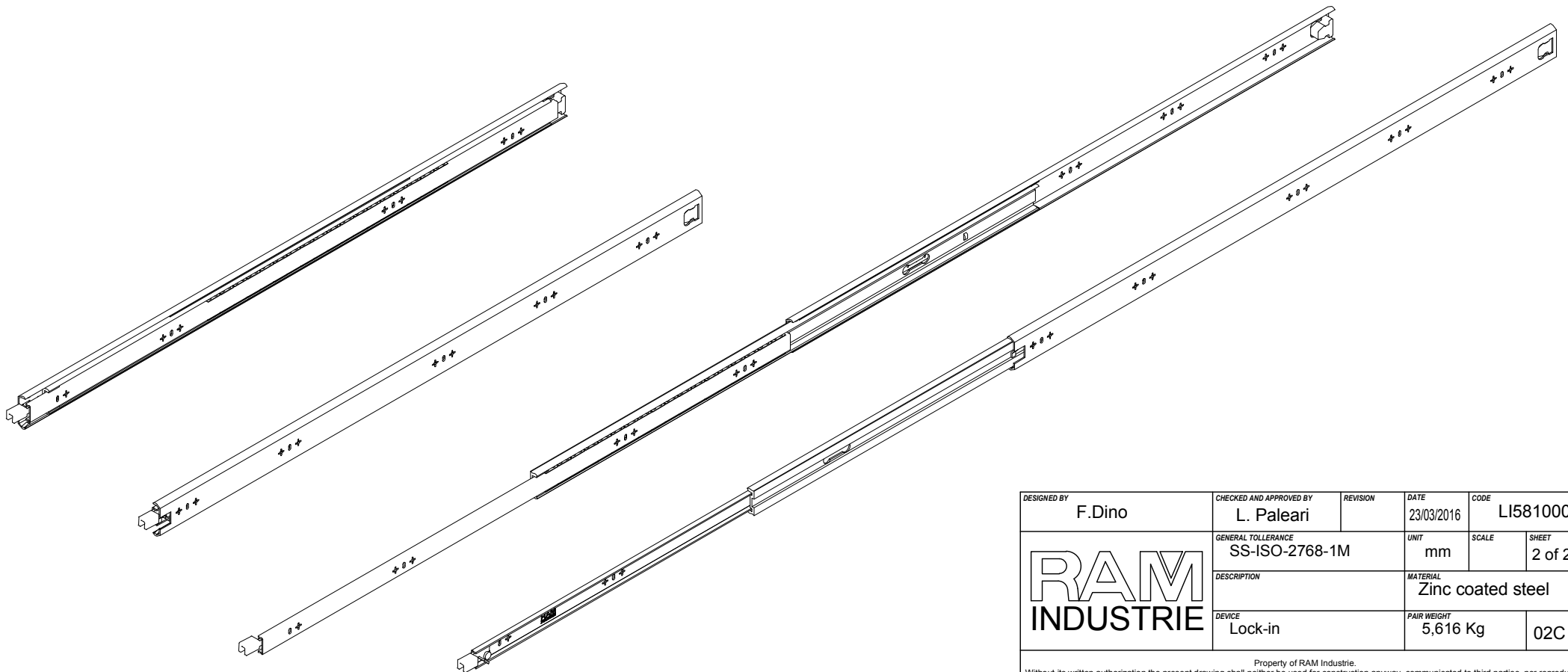


DESIGNED BY F.Dino	CHECKED AND APPROVED BY L. Paleari	REVISION	DATE 23/03/2016	CODE LI581000
GENERAL TOLLERANCE SS-ISO-2768-1M			UNIT mm	SCALE 1 of 2
DESCRIPTION Lock-in			MATERIAL Zinc coated steel	
PAIR WEIGHT 5,616 Kg			02C	



2027,0

1010,0



DESIGNED BY F.Dino	CHECKED AND APPROVED BY L. Paleari	REVISION	DATE 23/03/2016	CODE LI581000
GENERAL TOLLERANCE SS-ISO-2768-1M			UNIT mm	SHEET 2 of 2
DESCRIPTION Lock-in			MATERIAL Zinc coated steel	
			PAIR WEIGHT 5,616 Kg	02C

Property of RAM Industrie.
Without its written authorization the present drawing shall neither be used for construction anyway, communicated to third parties, nor reproduced.