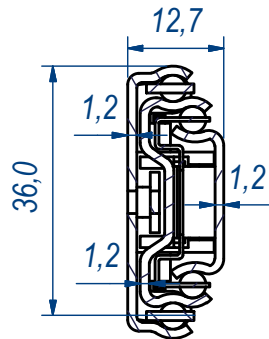
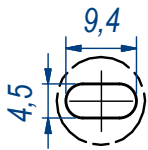


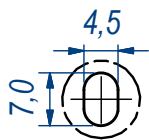
SEZ. A-A




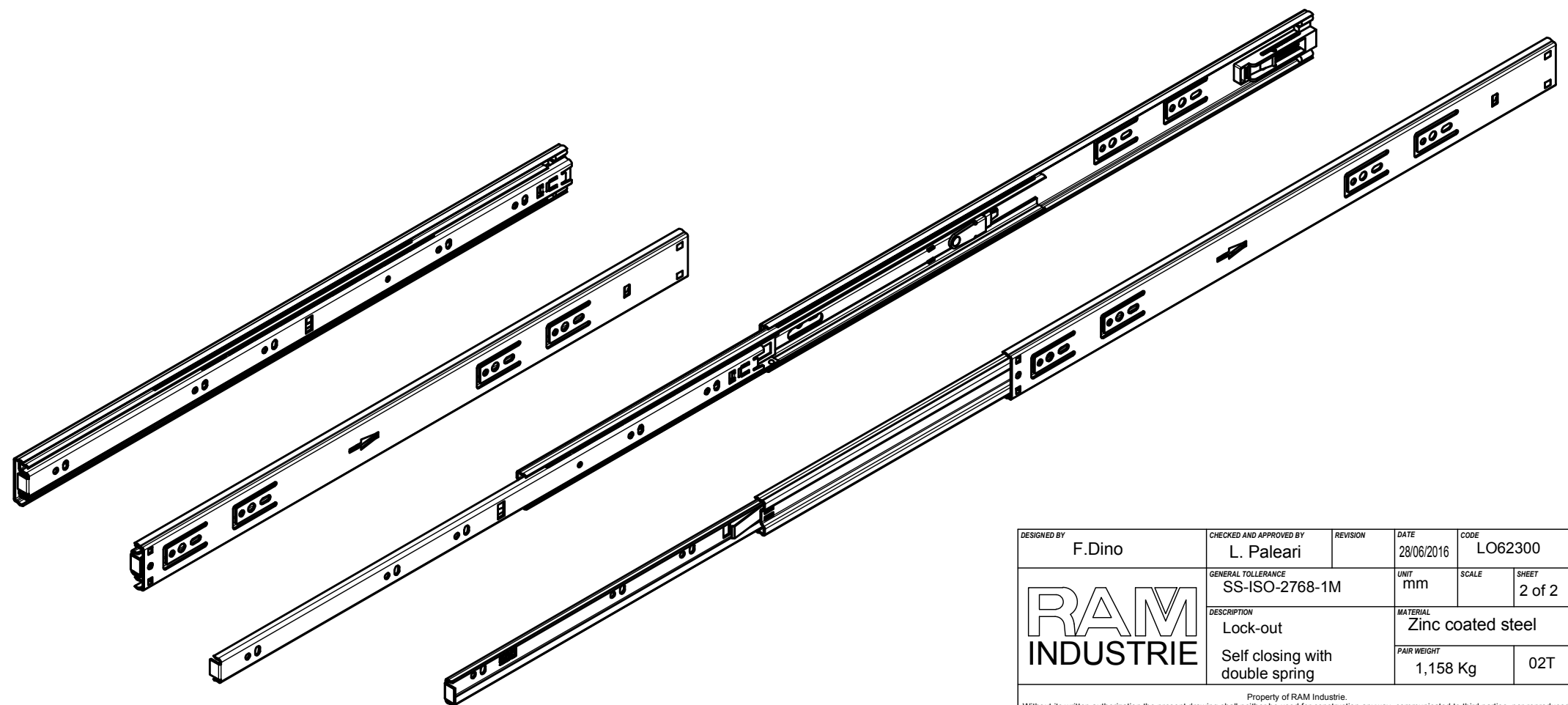
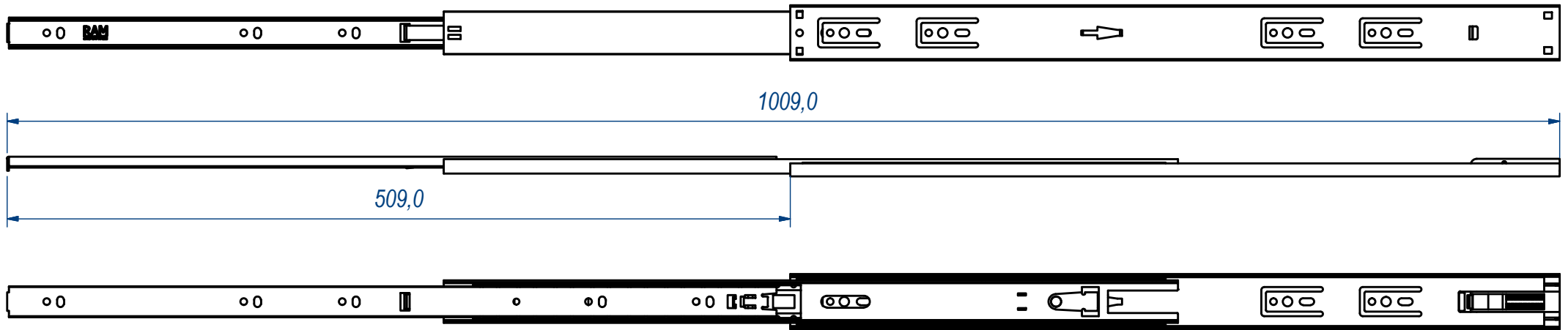
B (1:1)




E (1:1)



DESIGNED BY F.Dino	CHECKED AND APPROVED BY L. Paleari	REVISION	DATE 28/06/2016	CODE LO62500
GENERAL TOLLERANCE SS-ISO-2768-1M		UNIT mm	SCALE	SHEET 1 of 2
		DESCRIPTION Lock-out		MATERIAL Zinc coated steel
		Self closing with double spring		PAIR WEIGHT 1,158 Kg
<small>Property of RAM Industrie. Without its written authorization the present drawing shall neither be used for construction anyway, communicated to third parties, nor reproduced.</small>				



DESIGNED BY F.Dino	CHECKED AND APPROVED BY L. Paleari	REVISION	DATE 28/06/2016	CODE LO62300
		GENERAL TOLLERANCE SS-ISO-2768-1M	UNIT mm	SCALE SHEET 2 of 2
		DESCRIPTION Lock-out Self closing with double spring	MATERIAL Zinc coated steel	PAIR WEIGHT 1,158 Kg

Property of RAM Industrie.
Without its written authorization the present drawing shall neither be used for construction anyway, communicated to third parties, nor reproduced.