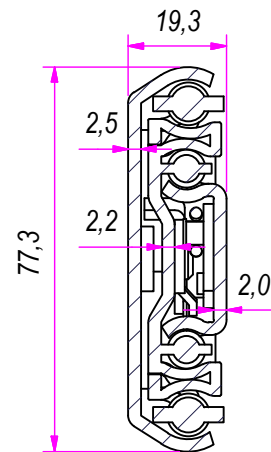
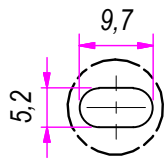


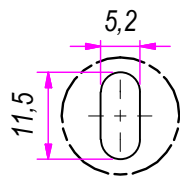
SEZ. A-A



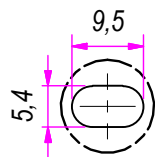
B (1:1)



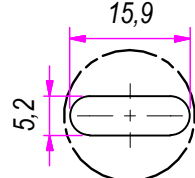
C (1:1)



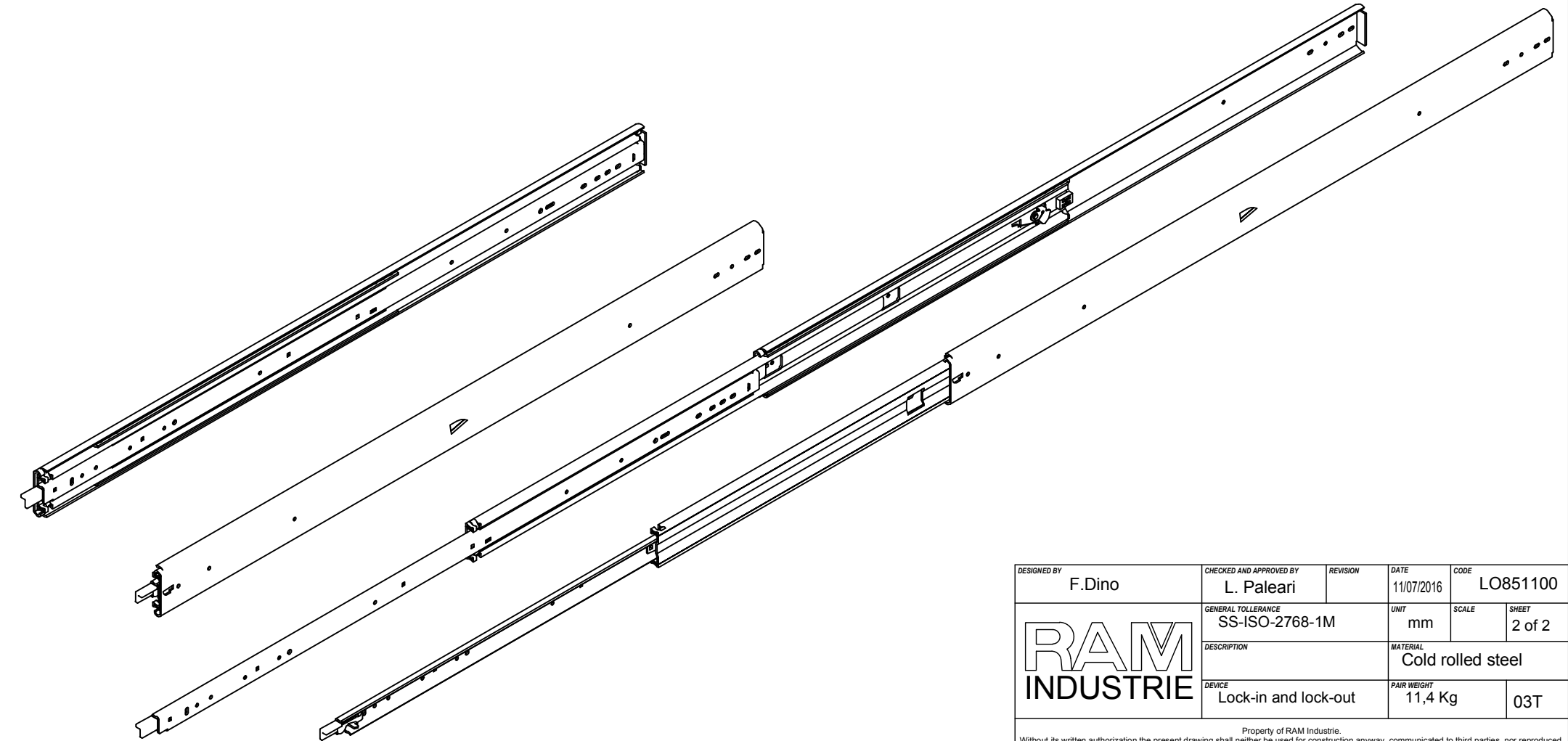
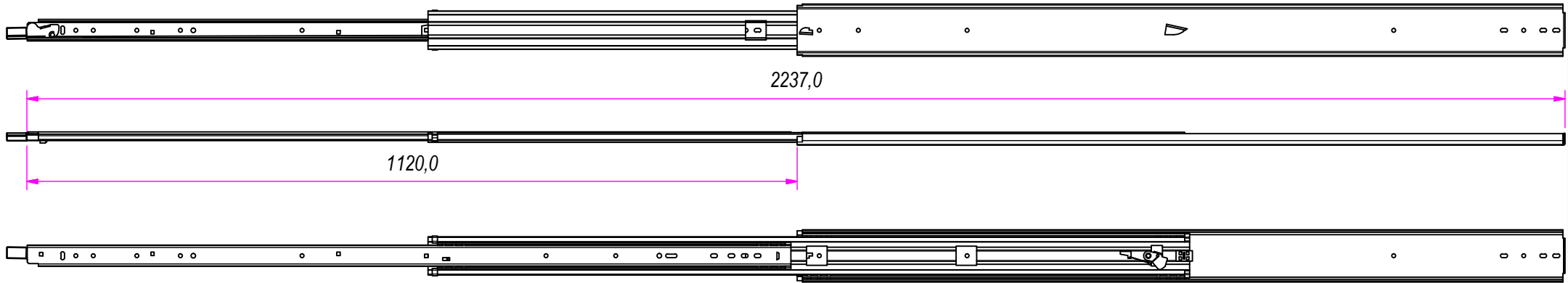
D (1:1)



E (1:1)



DESIGNED BY F.Dino	CHECKED AND APPROVED BY L. Paleari	REVISION	DATE 11/07/2016	CODE LO851100
GENERAL TOLERANCE SS-ISO-2768-1M		UNIT mm	SCALE	SHEET 1 of 2
DESCRIPTION Lock-in and lock-out		MATERIAL Cold rolled steel		
PAIR WEIGHT 11,4 Kg		03T		



DESIGNED BY F.Dino	CHECKED AND APPROVED BY L. Paleari	REVISION	DATE 11/07/2016	CODE LO851100
GENERAL TOLLERANCE SS-ISO-2768-1M			UNIT mm	SCALE 2 of 2
DESCRIPTION Lock-in and lock-out			MATERIAL Cold rolled steel	
PAIR WEIGHT 11,4 Kg			03T	

Property of RAM Industrie.
Without its written authorization the present drawing shall neither be used for construction anyway, communicated to third parties, nor reproduced.