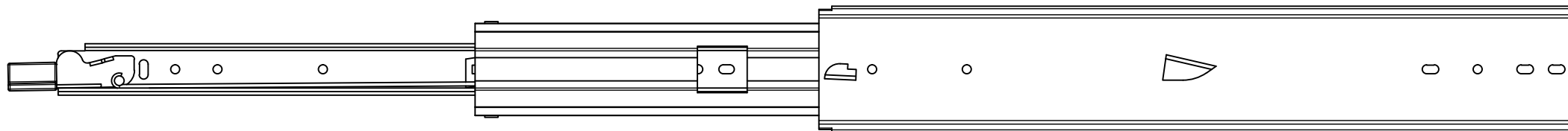
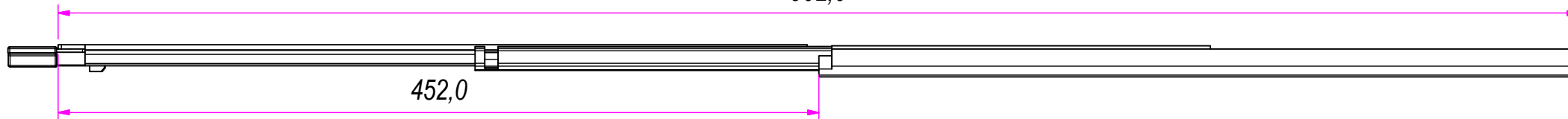


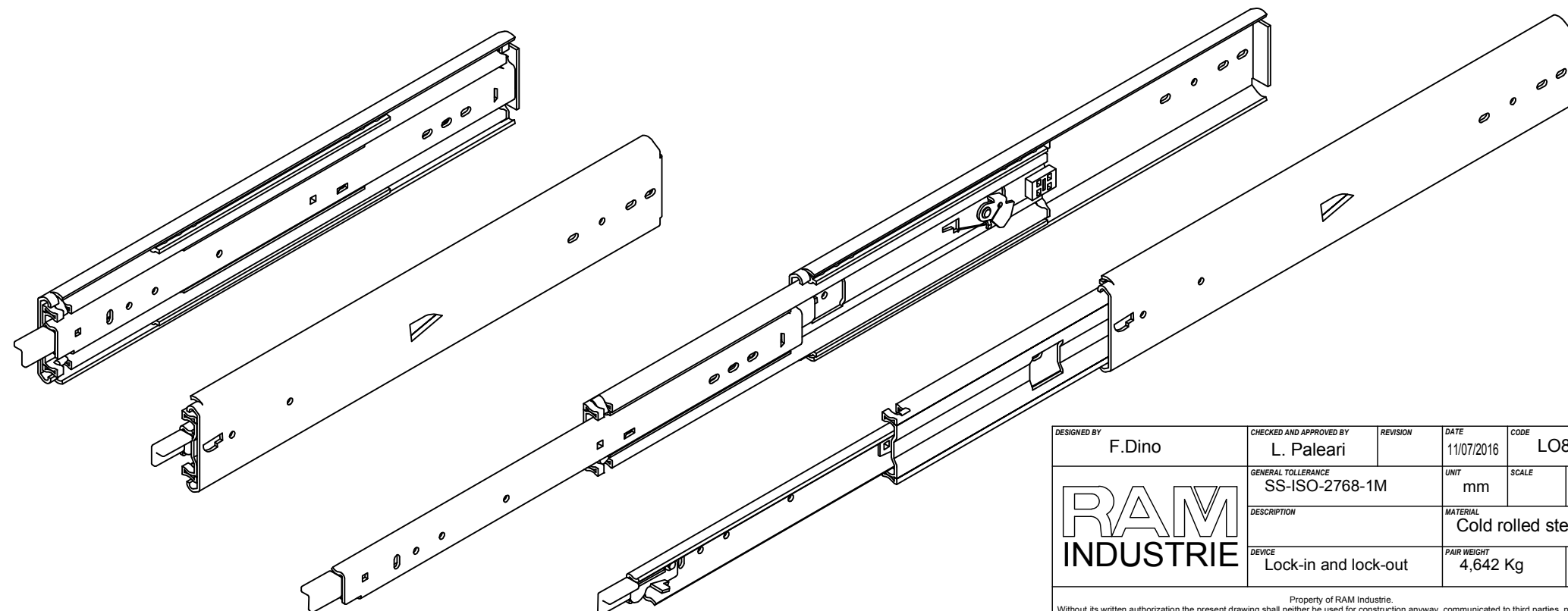
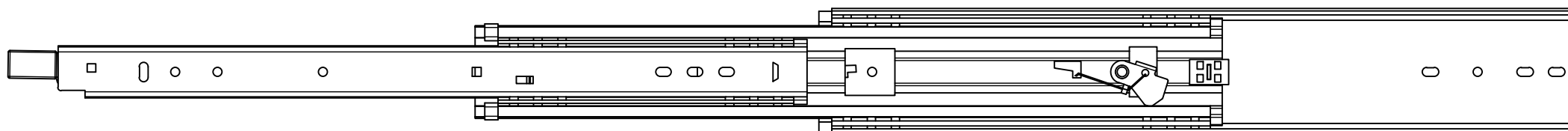
DESIGNED BY F.Dino	CHECKED AND APPROVED BY L. Paleari	REVISION	DATE 11/07/2016	CODE LO85450
		GENERAL TOLLERANCE SS-ISO-2768-1M	UNIT mm	SCALE 1 of 2
		DESCRIPTION Lock-in and lock-out	MATERIAL Cold rolled steel	
			PAIR WEIGHT 4,642 Kg	03T
<small>Property of RAM Industrie. Without its written authorization the present drawing shall neither be used for construction anyway, communicated to third parties, nor reproduced.</small>				



902,0



452,0



DESIGNED BY F.Dino	CHECKED AND APPROVED BY L. Paleari	REVISION	DATE 11/07/2016	CODE LO85450
GENERAL TOLLERANCE SS-ISO-2768-1M		UNIT mm	SCALE	SHEET 2 of 2
DESCRIPTION <b>RAM</b> INDUSTRIE			MATERIAL Cold rolled steel	
DEVICE Lock-in and lock-out		PAIR WEIGHT 4,642 Kg	03T	

Property of RAM Industrie.  
Without its written authorization the present drawing shall neither be used for construction anyway, communicated to third parties, nor reproduced.