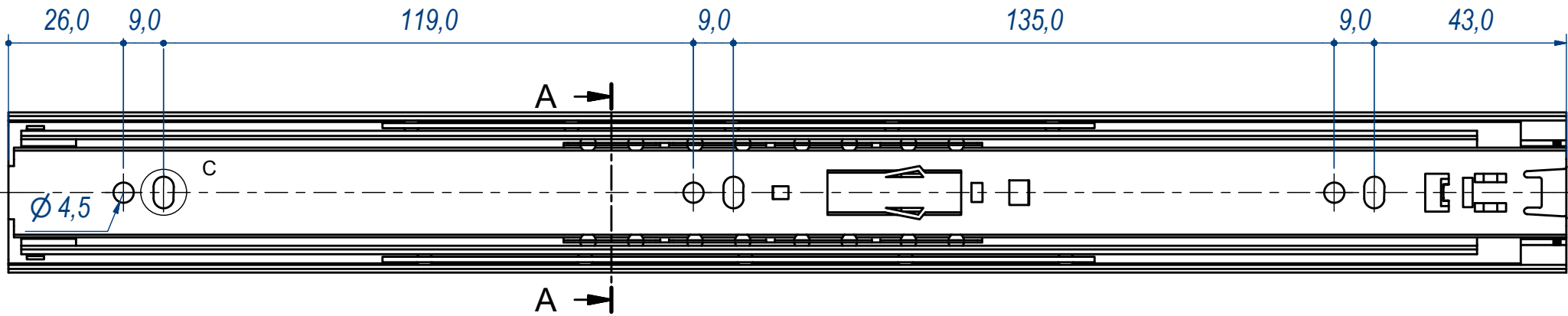
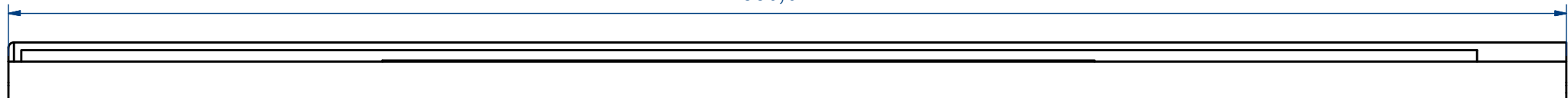
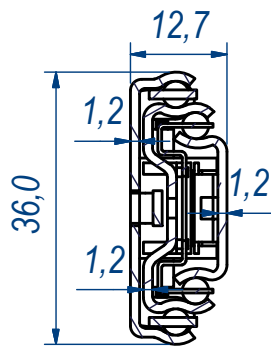


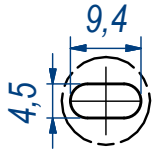
350,0



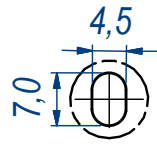
SEZ. A-A




B (1:1)

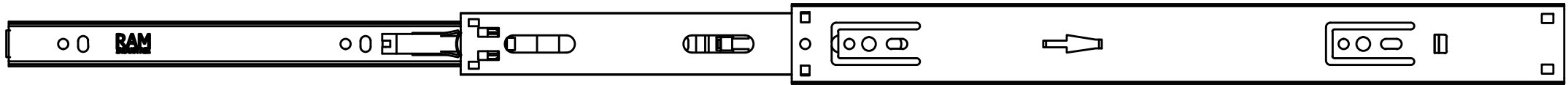


C (1:1)



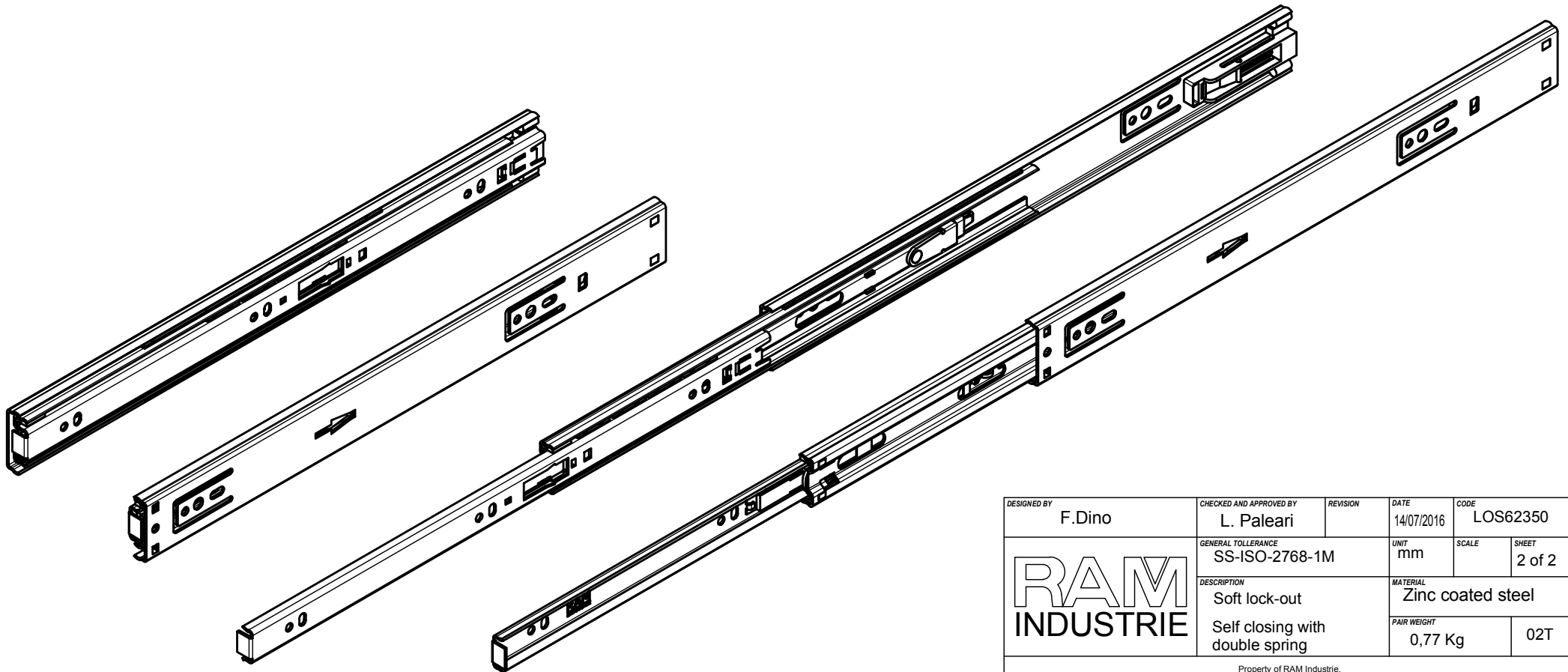
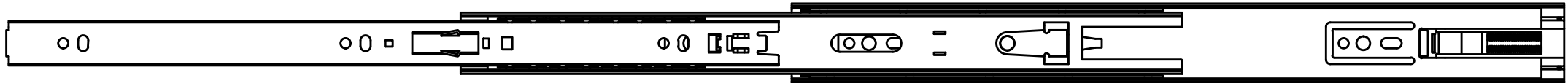
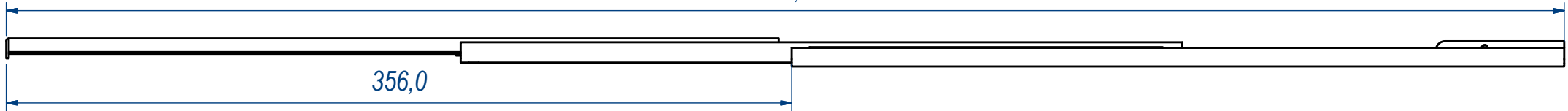
DESIGNED BY F.Dino	CHECKED AND APPROVED BY L. Paleari	REVISION	DATE 14/07/2016	CODE LOS62350
GENERAL TOLLERANCE SS-ISO-2768-1M		UNIT mm	SCALE	SHEET 1 of 2
		DESCRIPTION Soft lock-out Self closing with double spring		MATERIAL Zinc coated steel
		PAIR WEIGHT 0,77 Kg		02T


Property of RAM Industrie.  
Without its written authorization the present drawing shall neither be used for construction anyway, communicated to third parties, nor reproduced.



706,0

356,0



DESIGNED BY F.Dino	CHECKED AND APPROVED BY L. Paleari	REVISION	DATE 14/07/2016	CODE LOS62350
GENERAL TOLLERANCE SS-ISO-2768-1M		UNIT mm	SCALE	SHEET 2 of 2
		DESCRIPTION Soft lock-out Self closing with double spring		MATERIAL Zinc coated steel
		PAIR WEIGHT 0,77 Kg	02T	

Property of RAM Industrie.  
Without its written authorization the present drawing shall neither be used for construction anyway, communicated to third parties, nor reproduced.