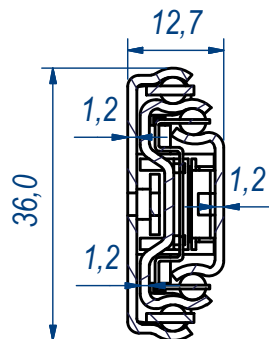
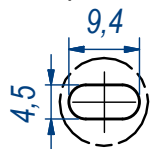


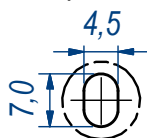
SEZ. A-A



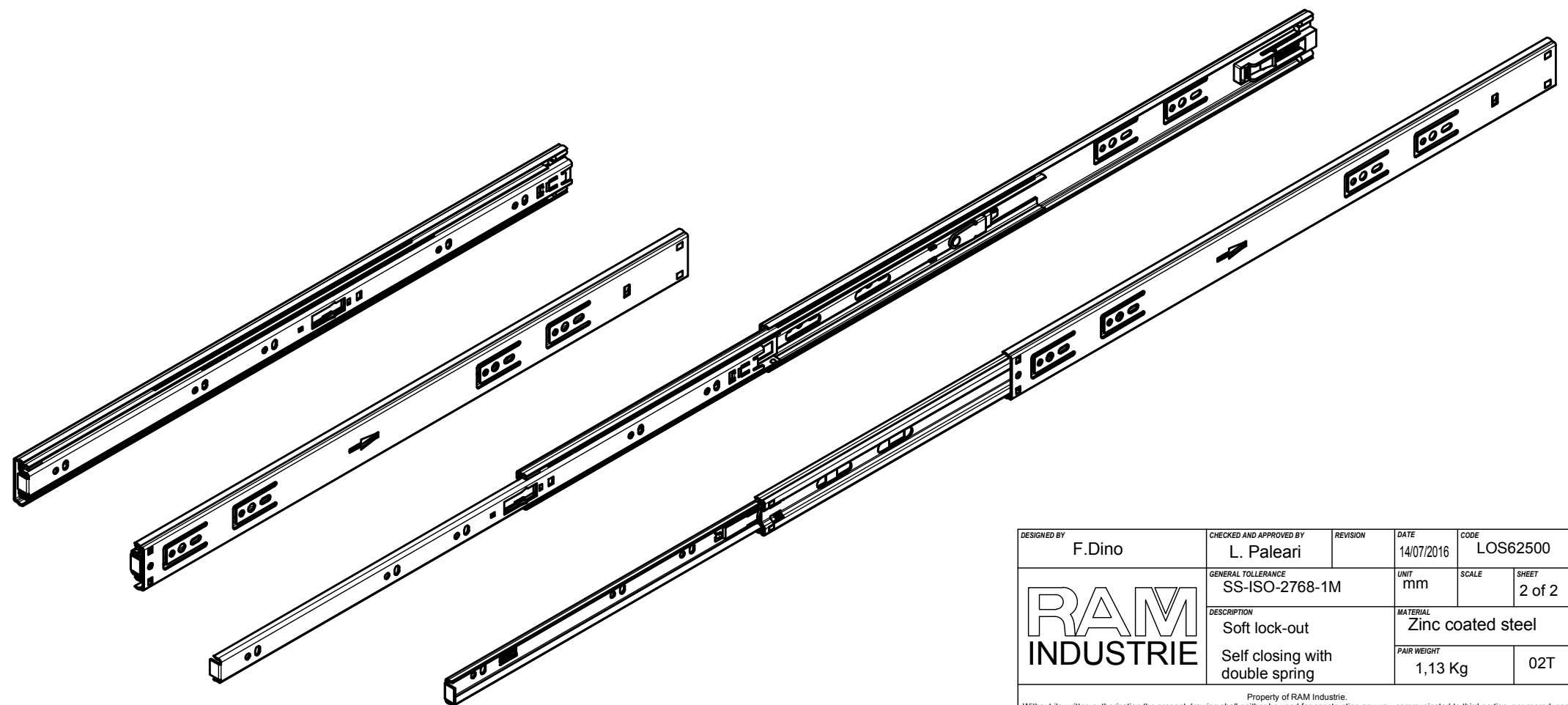
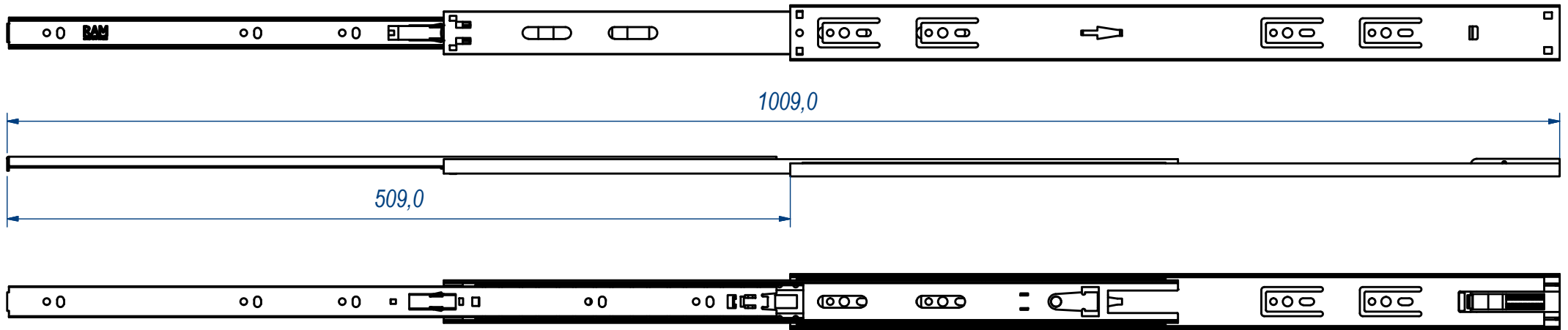
B (1:1)




C (1:1)



DESIGNED BY F.Dino	CHECKED AND APPROVED BY L. Paleari	REVISION	DATE 14/07/2016	CODE LOS62500
		GENERAL TOLLERANCE SS-ISO-2768-1M	UNIT mm	SCALE 1 of 2
		DESCRIPTION Soft lock-out Self closing with double spring	MATERIAL Zinc coated steel	PAIR WEIGHT 1,13 Kg
Property of RAM Industrie. Without its written authorization the present drawing shall neither be used for construction anyway, communicated to third parties, nor reproduced.				



DESIGNED BY F.Dino	CHECKED AND APPROVED BY L. Paleari	REVISION	DATE 14/07/2016	CODE LOS62500
		GENERAL TOLLERANCE SS-ISO-2768-1M	UNIT mm	SCALE SHEET 2 of 2
		DESCRIPTION Soft lock-out Self closing with double spring	MATERIAL Zinc coated steel	PAIR WEIGHT 1,13 Kg
<small>Property of RAM Industrie. Without its written authorization the present drawing shall neither be used for construction anyway, communicated to third parties, nor reproduced.</small>				